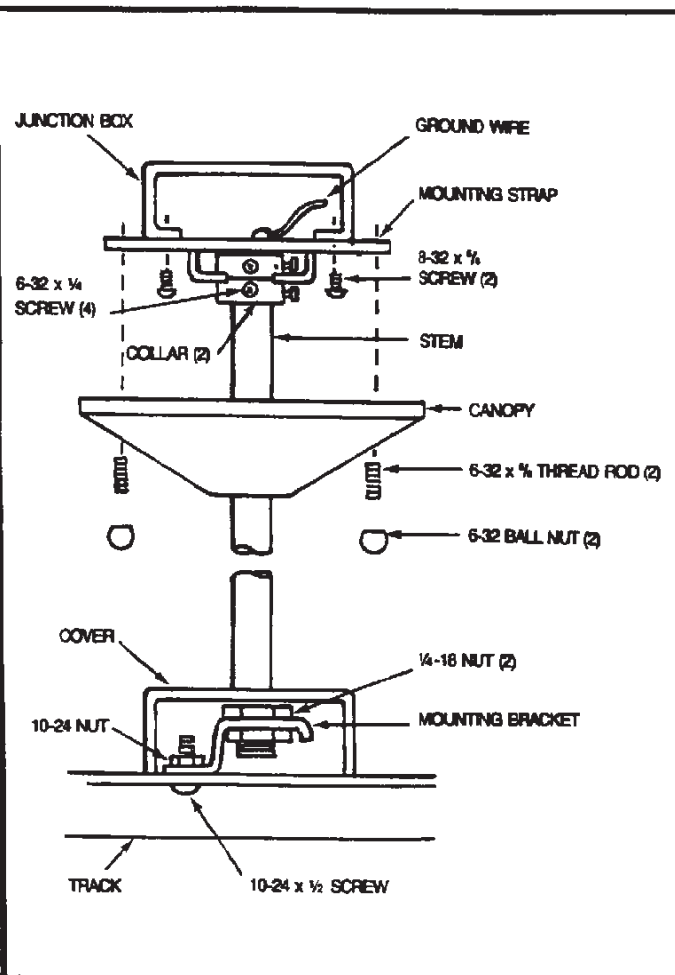


INSTALLATION INSTRUCTIONS FOR L-992 AND L-951 USE ONLY WITH HALO L-640 & L-650 SERIES TRACK SYSTEM ONLY

Instructions for L-992

- Step 1:** Assemble mounting strap to existing junction box with 8-32 x 5/8 screw (2). (If mounting directly to ceiling use other type screws not provided).
- Step 2:** Assemble collar on non-treaded end of stem and lock in place with 6-32 x 1/4 screw (2) slide into "U" groove of mounting strap. Slide remaining collar on stem and lock in place with 6-36 x 1/4 screw (2).
- Step 3:** Slide canopy on stem and secure to mounting strap with 6-32 x 5/8 (2) threaded rods and 6-32 ball nut (2).
- Step 4:** Slide canopy on stem.
- Step 5:** Assemble 1/4-18 nut (2) to threaded end of stem leaving enough space between nuts to allow mounting bracket to slide between. Tighten nuts securely.
- Step 6:** Assemble track to bracket using 10-24 x 1/2 screw and 10-24 nut. Tighten securely slide cover over bracket.



Instructions for L-951 Used With L-992

- Step 1:** Same assembly as for L-992 except feed field connection wires through stem add collar with set screw and replace cover with wire enclosure.
- Step 2:** Connect field wires to proper terminal of connector. Colored (Line) to brass screw, white (Neutral) to nickel screw, ground to green screw "G" when required.

