

## DESCRIPTION

High efficiency low brightness 6-inch aperture open wall wash reflector for use with 18W or 26W Double Twin Tube 4-pin lamps. Available in single or double wall wash versions. Standard features include low iridescent finish on all reflectors and venting to ensure maximum lamp life and lumen output. Optics offer unparalleled performance with uniform illuminance on wall, no flashback, and glare-free downlighting. Open downlight, lensed and open wall wash trims are interchangeable within the same housing.

<b>Catalog #</b>		<b>Type</b>
<b>Project</b>		
<b>Comments</b>		<b>Date</b>
<b>Prepared by</b>		

## SPECIFICATION FEATURES

### Optical Reflector

Full spinning Gradient Kicker provides high levels of vertical illumination, protects reflector integrity and achieves superior sealed design. Airflow travels through downlight cone neck for optimum lamp cooling. One piece spun Quiet Cone downlight reflector of .050 thick aluminum, available in a variety of Alzak® finishes. Positive reflector mounting pulls self-flanged trim tight to ceiling.

### Mechanical Housing Mounting Frame

One piece precision die cast aluminum 1-1/2" deep collar accommodates varying dimensions of ceiling materials.

### Universal Mounting Bracket

Accepts 1/2" EMT, C Channel, T bar fasteners, and bar hangers. Adjusts 5" vertically from above or below ceiling.

### Conduit Fittings

Die cast screw tight connectors.

### Junction Box

Listed for eight #12AWG (four in, four out) 90°C conductors feed through branch wiring. 1/2" and two 3/4" pry outs. Positioned to allow straight conduit runs. Access to junction box by removing reflector.

### Trim Ring Options

Self flanged or molded white trim ring. Rimless trim ring accessory available.

### Socket Connector

One piece die cast aluminum connection allows venting for maximum thermal performance.

### Rotary Lock Socket

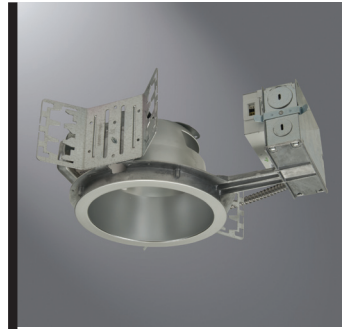
4-pin base with fatigue free stainless steel lamp spring ensures positive lamp retention.  
13W Lamp G24q1  
18W Lamp G24q2  
26W Lamp G24q3

### Electronic Ballast with Quick Disconnect

Electronic ballast provides full light output and rated lamp life. Provides flicker free and noise free operation and starting. End of lamp life protection is standard.

### Labels

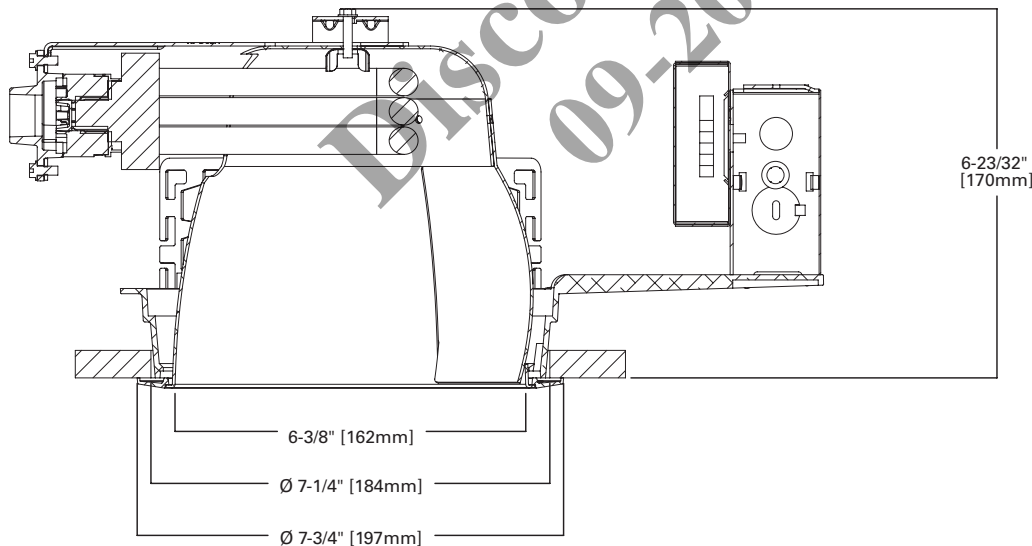
cULus listed, standard damp label. Meets IECC, ASHRAE, and Title 24 commercial standards.



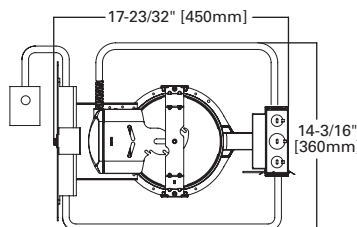
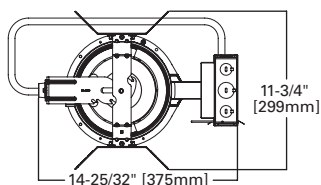
**CD6226**  
**CD6218**  
**CD6213**  
**6CWWH226**

13W, 18W or 26W DTT  
Compact Fluorescent

6-Inch Horizontal Wall Wash



Top View



(with EM option)

ENERGY DATA	
<b>(2) 13W DTT</b>	
Ballast: Electronic	
120V Input Watts: 31	Line Amps: 0.26
277V Input Watts: 31	Line Amps: 0.12
<b>(2) 18W DTT</b>	
Ballast: Electronic	
120V Input Watts: 37	Line Amps: 0.32
277V Input Watts: 37	Line Amps: 0.14
<b>(2) 26W TTT</b>	
Ballast: Electronic	
120V Input Watts: 50	Line Amps: 0.45
277V Input Watts: 50	Line Amps: 0.20
Power Factor: >0.99	THD: <10%
Min. Starting Temperature: -18°C (0°F)	
Sound Rating: Class A Standards	

**NOTES:** Accessories should be ordered separately. For additional options, please consult your Cooper Lighting Solutions Representative. Alzak is a registered trademark of Aluminum Company of America.

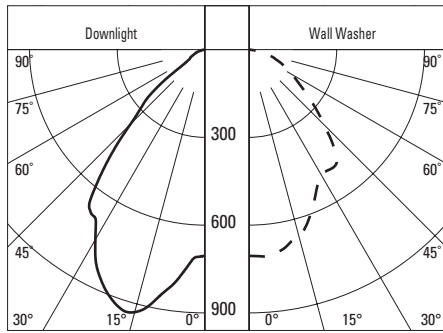
EXAMPLE: CD6226E 6CWVWH2261LI

Housing	Ballast	Options	Trims	Finish	Option	Accessories
<p><b>CD6226</b>=6" horizontal 2-lamp 26W DTT</p> <p><b>CD6218</b>=6" horizontal 2-lamp 18W DTT</p> <p><b>CD6213</b>=6" horizontal 2-lamp 13W DTT</p>	<p><b>E</b>=120/277V 50/60 Hz Electronic</p> <p><b>3E</b>=347V 50/60 Hz Electronic</p> <p><b>D5LT26</b>=120-277V Fifth Light (DALI) Dimming<sup>3</sup></p> <p><b>3D5LT</b>=347V Fifth Light (DALI) Dimming (26W Only)<sup>3</sup></p> <p><b>D</b>=120-277V Dimming, Lutron EcoSystem/3-Wire Control (Factory Wired for 3-Wire)<sup>3</sup></p> <p><b>DMARKVII</b>=18W or 26W 120-277V Advance MARK 7</p> <p><b>1DMARKX</b>=18W or 26W 120V Advance MARK 10</p> <p><b>2DMARKX</b>=18W or 26W 277V Advance MARK 10</p>	<p><b>CP</b>=Chicago Plenum</p> <p><b>EM</b>=Emergency Module with remote test switch<sup>2</sup></p> <p><b>IEM</b>=Emergency Module with Integral Test Switch<sup>2</sup></p> <p><b>2C</b>=(2) ballasts for HI-Low switching</p> <p><b>2CMS</b>=2 circuit master satellite (2 housings, order 2 trims)</p>	<p><b>6CWVWH2261</b>=6" reflector self flanged</p> <p><b>6CWVWH2260</b>=6" reflector polymer trim ring</p> <p><b>6CWVWH2261E</b>=6" reflector self flanged, for integral emergency</p> <p><b>6CWVWH2260E</b>=6" reflector polymer trim ring, for integral emergency</p>	<p><b>Alzak® Finishes</b></p> <p><b>LI</b>=Specular Clear</p> <p><b>H</b>=Semi-Specular Clear</p> <p><b>WMH</b>=Warm Haze</p> <p><b>G</b>=Gold</p> <p><b>WH</b>=Wheat</p> <p><b>WHH</b>=Wheat Haze</p> <p><b>GP</b>=Graphite</p> <p><b>GPH</b>=Graphite Haze</p> <p><b>B</b>=Black</p> <p><b>Painted Finishes</b></p> <p><b>W</b>=Gloss White</p>	<p><b>WF</b>=White Painted Flange</p>	<p><b>HB26</b>=C Channel Bar Hangers, 26" Long, Pair</p> <p><b>HB50</b>=C Channel Bar Hangers, 50" Long, Pair</p> <p><b>TRRC6</b>=Rimless Trim Ring, White<sup>1</sup></p> <p><b>FK5</b>=5 Amp Field Installable Fuse Kit 300V Max</p> <p><b>RMB22</b>=Wood Joist Bar Hanger, 22" Long, Pair</p> <p><b>TRMC6</b>=CFL Metal Trim Ring<sup>1</sup></p>

Notes: <sup>1</sup>Order trim with polymer trim ring. <sup>2</sup>Not available with Chicago Plenum. <sup>3</sup>Not available with 13W. (Consult specification sheet for ordering information and options).

PHOTOMETRICS

Candlepower Distribution



Test No. P13431  
CD6226E 6CWVWH226W1LI

Lamp = 26W DTT  
Lumens = 3600  
Efficiency = 45.0%

0°  
90°

Single Unit Foot-candles Multiple Unit Foot-candles

DD	2' from wall (distance from fixture along wall)				2' from wall (spacing between fixtures)				3' from wall (spacing between fixtures)							
	1'	2'	3'	4'	2'	4'	3'	4'	3'	4'	3'	4'				
1'	26	18	8	3	34	36	34	27	15	27	11	12	11	10	9	10
2'	32	23	10	4	42	47	42	34	20	34	17	19	17	15	14	15
3'	21	19	12	5	33	38	33	23	24	23	19	21	19	17	16	17
4'	12	12	9	6	21	24	21	15	19	15	17	19	17	15	17	15
5'	7	8	7	5	14	15	14	11	14	11	13	14	13	11	13	11
6'	5	5	5	4	10	10	10	8	10	8	9	11	9	8	10	8
7'	3	4	3	3	7	7	7	6	7	6	7	8	7	7	8	7
8'	2	3	3	2	5	5	5	4	5	4	6	6	6	5	6	5
9'	2	2	2	2	4	4	4	3	4	3	4	5	4	4	5	4
10'	1	1	1	1	3	3	3	3	3	3	3	4	3	3	4	3