

Digital Wall Switch Timer 120/277 VAC- Model# TSW-MV-W

 **WARNING**

Risk of Fire, Electrical Shock, Cuts or other Casualty Hazards- Installation and maintenance of this product must be performed by a qualified electrician. This product must be installed in accordance with the applicable installation code by a person familiar with the construction and operation of the product and hazards involved.



Before installing or performing any service, the power **MUST** be turned **OFF** at the branch circuit breaker. According to NEC 240-83(d), if the branch is used as the main switch for a fluorescent lighting circuit, the circuit breaker should be marked with "SWD". All installations should be in compliance with the National Electric Code and all state and local codes.



Risk of Fire and Electric Shock- Make certain power is **OFF** before starting installation or attempting any maintenance. **Disconnect power** at fuse or circuit breaker.



Risk of Burn- Disconnect power and allow fixture to cool before handling or servicing.

Risk of Personal Injury- Due to sharp edges, handle with care.

Failure to comply with these instructions may result in serious injury (including death) and property damage.

DISCLAIMER OF LIABILITY: Cooper Lighting Solutions assumes no liability for damages or losses of any kind that may arise from the improper, careless, or negligent installation, handling or use of this product.

IMPORTANT: Read carefully before installing product. Retain for future reference.

NOTICE: Product/component may become damaged and/or unstable if not installed properly.

Note: Specifications and dimensions subject to change without notice.

NOTE REGARDING COMPACT FLUORESCENT LAMPS: The life of some compact fluorescent lamps (CFLs) is shortened by frequent automatic or manual switching. Check with CFL and ballast manufacturer to determine the effects of cycling.

ATTENTION Receiving Department: Note actual fixture description of any shortage or noticeable damage on delivery receipt. File claim for common carrier (LTL) directly with carrier. Claims for concealed damage must be filed within 15 days of delivery. All damaged material, complete with original packing must be retained.

NOTICE: All new wiring must be fully verified before applying power.

NOTICE: Designed for indoor installation and use only. Dry location rated.

NOTICE: For use with 120VAC or 277VAC only.

NOTICE: Not for use where temperatures fall below 60° F or exceed 90° F.



COOPER
Lighting Solutions

This document is intended for installers, set-up technicians and IT professionals of the Greengate Digital Wall Switch Timer.

ATTENTION



Engage appropriate network security professionals to ensure all lighting control system hardware and servers are secure for access.

Ensure IT professionals review the Greengate Digital Wall Switch Timer network architecture document found at the end of this manual.

Network security is an important issue. Typically, the IT organization must approve configurations that expose networks to the Internet. Be sure to fully read and understand customer IT Compliance documentation.

DISCLAIMER OF LIABILITY: Cooper Lighting Solutions assumes no liability for damages or losses of any kind that may arise from the improper, careless, or negligent installation, handling or use of the products.

IMPORTANT: This manual provides information on the installation and operation of Greengate Digital Wall Switch Timer . For proper operation it is important to follow the installation instructions for each product/component.

INSTALLATION

CAUTION:

BEFORE WIRING AND SERVICING, POWER TO THIS TIME SWITCH AND THE EQUIPMENT IN CONTROLS MUST BE TURNED OFF AT THE MAIN PANEL. **WARNING:** UNIT MUST BE PROPERLY GROUNDED TO OPERATE CORRECTLY.

1. Connect the wires as shown in the single pole wiring diagram.
2. Cap the unused ground wire.
3. Mount the timer inside the electrical box using the 2 mounting screws provided.
4. Install the enclosed cover plate.
5. Turn the power ON at the electrical panel.
6. When powering up for the first time, allow 1 minute for the unit to show OFF on the screen.
 - An LCD "OFF" message will be displayed as a default and the load will be switched OFF.

DESCRIPTION OF OPERATION

The solid state interval timer is designed to control lighting and motor loads. Momentarily pressing the start/stop button located on the front of the unit will turn the load ON and start the count-down time (set by the user utilizing the DIP Switches) at the end of which the load will turn OFF. If there is a need to turn the load OFF before the count-down time has expired, press the start/stop button momentarily. The unit can be programmed via DIP switch settings to flicker the load (lights), and/or beep as a warning indicating that the load is about to turn OFF. A scroll option can be set to temporarily change the preset count-down time by pressing and holding down the start/stop button for more than 3 seconds.

FEATURES

- LCD display that stands out strongly in lighted areas and is backlit for visibility in dark areas.
- Tamper resistant time-on interval, which can be preset. In addition, a manual scroll-up mode that can override the setting temporarily – this feature can be disabled, thereby providing a fixed interval timer.
- Flicker of lights and/or beep warning, which begins 2 minutes before time-out (either or both can be disabled).
- Zero power switching to prolong the life of relay contacts by switching high inrush equipment at or close to zero power.
- Incandescent lighting, or motor loads, compatible with electronic ballasts.
- Decorator typeface with matching wallplate included.

RATINGS

CONTACT RATING:

TYPE OF LOAD	120VAC	277VAC
Resistive	15A	15A
Ballast	10A	10A
LED Driver	1200W	1200W
Tungsten	960W	-
Motor	1/2 HP	-
Pilot Duty	360VA	-
Note: No minimum load requirement.		

Dual Voltage Input:

120/277 VAC (No Minimum Load)

- Maximum Load: 960Watts, 10 amps @ 120 VAC
- Maximum Load: 1200Watts, 10 amps @ 277 VAC

Environment:

- Operating Temperature: 0-100°F
- Operating Humidity: 90% RH non-condensing

Digital Wall Switch Timer

SETTINGS

- The tamper resistant time-on interval can be preset. In addition, a manual scroll-up mode can override the setting temporarily – this feature can be disabled, thereby providing a fixed interval timer.
- A flicker of the lights and/or a beep warning begins 2 minutes before time-out (either or both can be disabled). This document covers installation of the following products.

The TSW-MV is factory preset to meet newer energy code override mandates. No adjustment is required. This setting will provide a two hour maximum operating time before shut off. The scroll feature is active to allow the user to change the operating time with the maximum time setting at two hours.

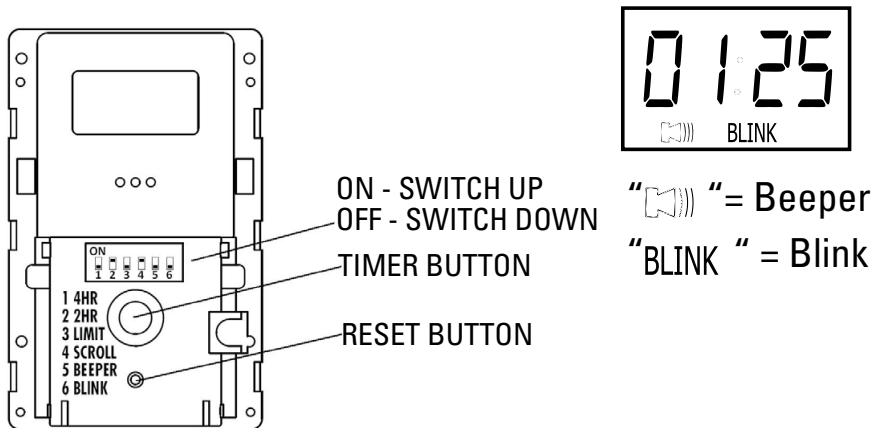
Close the timer door and the unit is ready. One press of the bottom cover turns the load ON. The load will stay ON until a count-down to the preset OFF time. Pressing the bottom cover again will turn load OFF.

SET FOR:

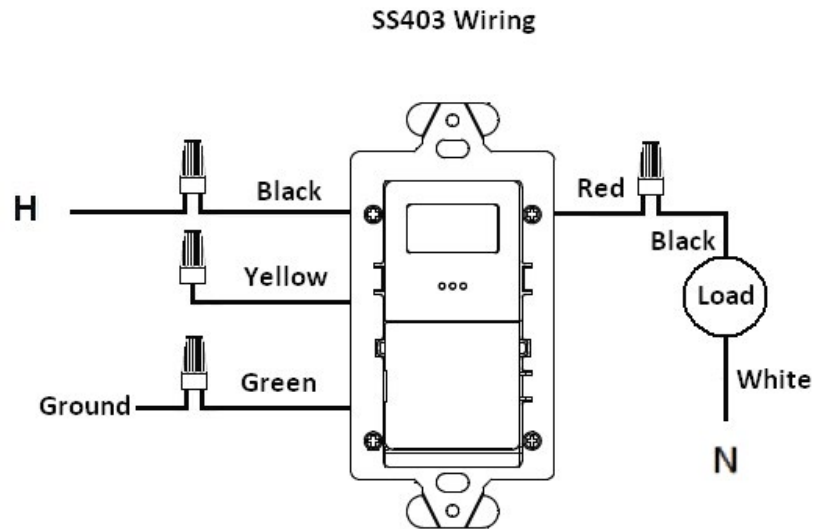
1. 4HR: Set ON for preset 4 hour maximum count-down when 2HR is set to OFF. (Also used in custom time programming.)
2. 2HR: Set ON for preset 2 hour maximum count-down when 4HR is set to OFF. (Also used in custom time programming.)
3. LIMIT: Used with programming sequence. Switch from ON to OFF to limit scroll to match custom time.
4. SCROLL: Set ON allowing the timer to scroll to a shorter run time. Set OFF to disable. Switch from ON to OFF to set a custom time. (Also used in programming sequence.)

The time scrolls in steps:

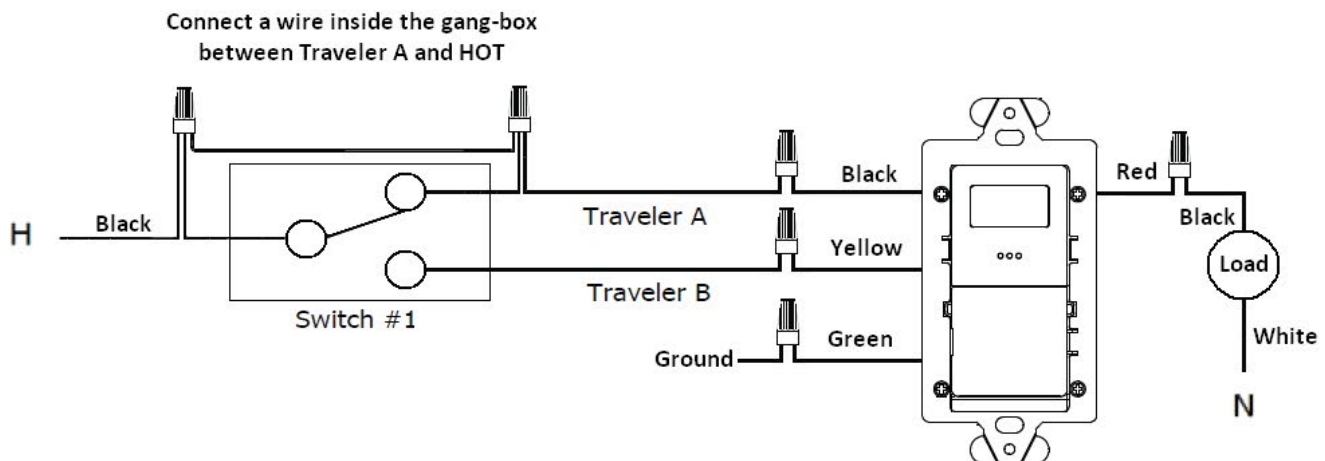
- 5 minute steps from 5 minutes to 1 hour.
 - 10 minute steps from 1 to 4 hours.
 - 30 minute steps from 4 to 12 hours.
 - 1 hour steps from 12 to 24 hours
5. BEEPER: Set ON activating the feature for a beep warning every 15 seconds starting 2 minutes before OFF.
 6. BLINK: Set ON activating a feature for load flash 2 minutes before OFF.



SINGLE POLE WIRING



THREE-WAY WIRING



OPERATION

1. To turn load ON, press the START/STOP button momentarily.
 - The LCD will display the count-down time interval selected. The time interval will start counting down.

TROUBLESHOOTING GUIDE

1. To test the unit, set the DIP Switch to the minimal time-out interval (5 minutes).
2. If the unit does not function:
 - a. Check the ground wire. Make sure the box has good ground and is attached properly.
 - b. Check all other wiring to make sure connection is secure.
 - c. Check if power is turned back on at the main circuit breaker panel.
 - d. If the unit still does not function, consult the factory.
3. If the load will not turn OFF automatically:
 - a. Check if the load goes ON/OFF when pressing START/STOP button. If not, check the red wire for good connection. If load does go ON/OFF, consult the factory.

Warranties and Limitation of Liability

Please refer to www.cooperlighting.com for our terms and conditions.

Garanties et limitation de responsabilité

Veuillez consulter le site www.cooperlighting.com pour obtenir les conditions générales.

Garantías y Limitación de Responsabilidad

Visite www.cooperlighting.com para conocer nuestros términos y condiciones.

Cooper Lighting Solutions
1121 Highway 74 South
Peachtree City, GA 30269
P: 770-486-4800
www.cooperlighting.com

© 2020 Cooper Lighting Solutions
All Rights Reserved
Tous droits réservés
Todos los derechos reservados

Printed in USA
Imprimé aux États-Unis
Impreso en los EE. UU.
Publication No. IB053060EN
December 2019

Cooper Lighting Solutions is a registered trademark. All trademarks are property of their respective owners.

Cooper Lighting Solutions est une marque de commerce déposée. Toutes les autres marques de commerce sont la propriété de leur propriétaire respectif.

Cooper Lighting Solutions es una marca comercial registrada. Todas las marcas comerciales son propiedad de sus respectivos propietarios.

Product availability, specifications, and compliances are subject to change without notice.

La disponibilité du produit, les spécifications et les conformités peuvent être modifiées sans préavis.

La disponibilidad de productos, las especificaciones y los cumplimientos están sujetos a cambio sin previo aviso.