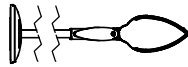




BASE MOUNT



WALL MOUNT



CANTILEVER MOUNT



CEILING MOUNT

These installation instructions are valid with the above Arrowlinear mounting options.

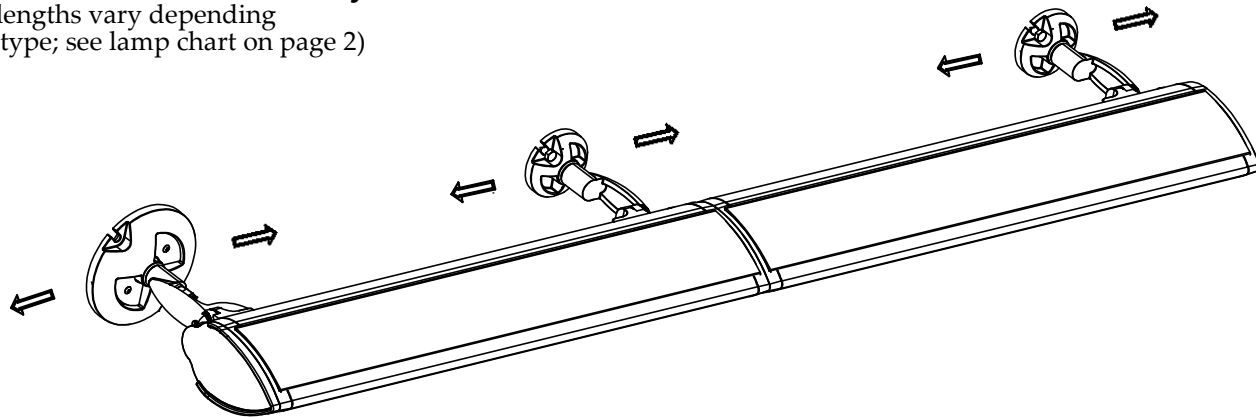
ARROWLINEAR INDOOR

AC / AK: BASE, WALL,
CANTILEVER, CEILING

Warning: Before starting any work ensure that all sources of power are turned off. All work must meet local/national codes and be performed by a certified electrician. **Do not** mount fixtures vertically. Indoor fixtures cannot be used for outdoor applications.

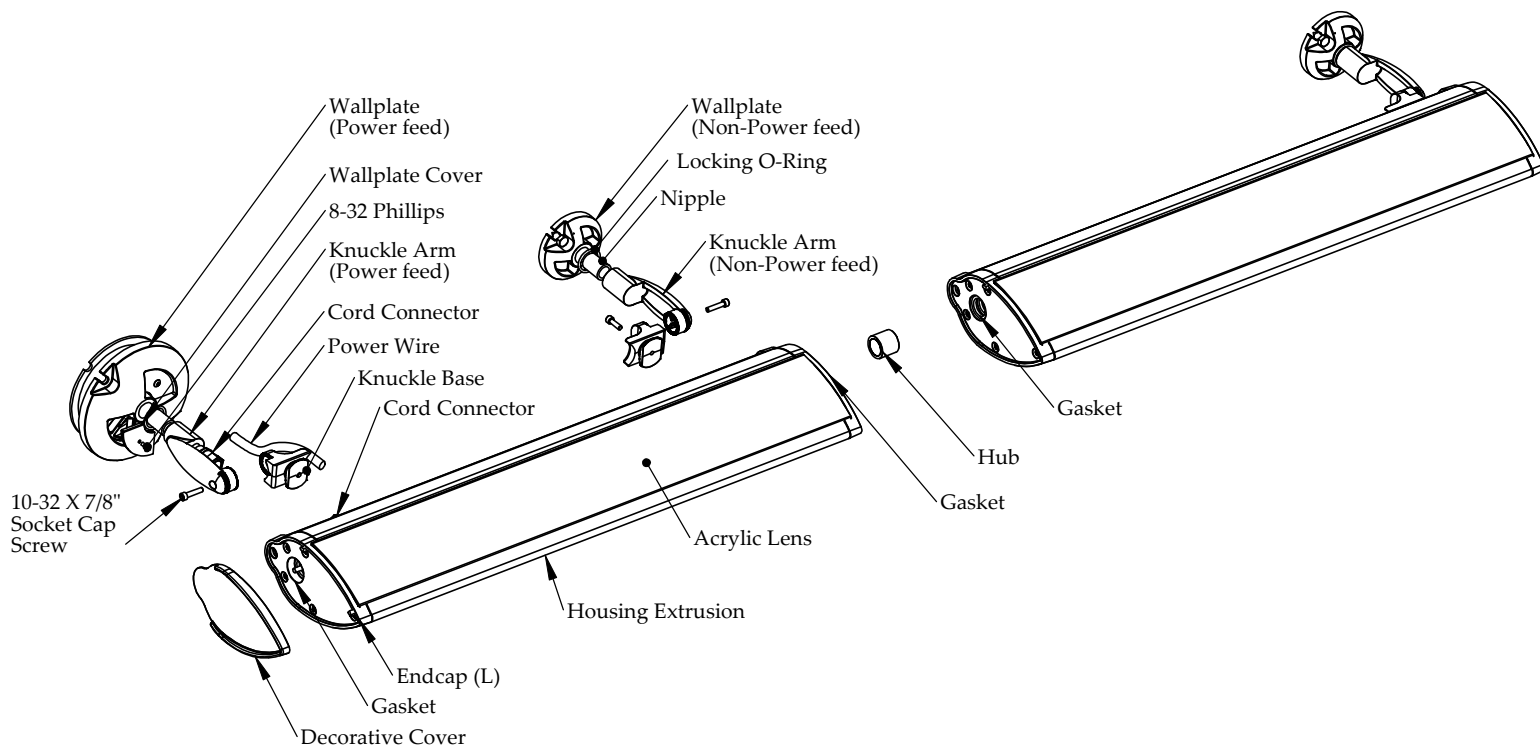
Complete Fixture Assembly

(Fixture lengths vary depending on lamp type; see lamp chart on page 2)

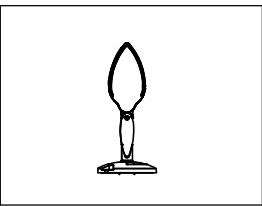


Note: AllRC3 mounting is field adjustable

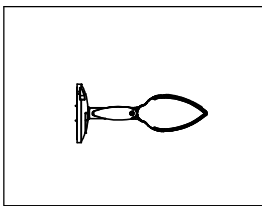
Exploded View



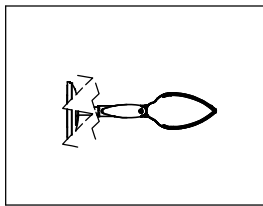
Note: 5/32" Allen wrench and Phillips screw driver are required (supplied by others).



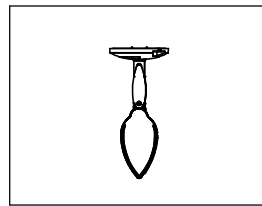
BASE MOUNT



WALL MOUNT



CANTILEVER MOUNT



CEILING MOUNT

These installation instructions are valid with the above Arrowlinear mounting options.

ARROWLINEAR INDOOR AC / AK: BASE, WALL, CANTILEVER, CEILING,

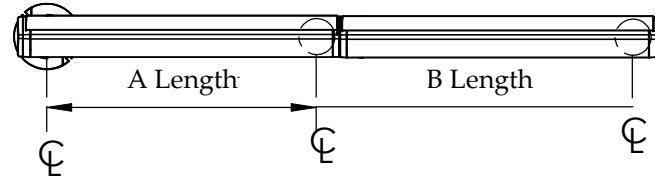
Warning: Before starting any work ensure that all sources of power are turned off. All work must meet local/national codes and be performed by a certified electrician. **Do not** mount fixtures vertically. Indoor fixtures cannot be used for outdoor applications.

Lamp Chart

| Available Lengths | Available Wattages | Available Lamp Types | A- Mounting plate centers in(mm) | B-Mounting plate centers in(mm) |
|-------------------|--------------------|----------------------|---|--|
| 1FT | 12W | (LED) | CENTER | NONE |
| 2FT | 22W | (LED) | 22 - 13/16IN (580mm) | 26-7/8IN (682mm) |
| 2FT | 14W | (T5) | | |
| 2FT | 17W | (T8) | | |
| 2FT | 24W | (T5 HO) | | |
| 3FT | 33W | (LED) | 34 - 5/8IN (880mm) | 38-11/16IN (982mm) |
| 3FT | 21W | (T5) | | |
| 3FT | 25W | (T8) | | |
| 3FT | 39W | (T5 HO) | | |
| 4FT | 44W | (LED) | 46 - 7/16IN (1180mm) | 50-1/2IN (1282mm) |
| 4FT | 28W | (T5) | | |
| 4FT | 32W | (T8) | | |
| 4FT | 54W | (T5 HO) | | |
| 6FT | 3X 33W | (LED) | 72 - 29/32IN (1852mm) | 76-31/32IN (1954mm) |
| 6FT | 2 X 21W | (T5) | | |
| 6FT | 2 X 25W | (T8) | | |
| 6FT | 2 X 39W | (T5 HO) | | |
| 8FT | 2 X 44W | (LED) | 96 - 17/32IN (2452mm) | 100-19/32IN (2555mm) |
| 8FT | 2 X 28W | (T5) | | |
| 8FT | 2 X 32W | (T8) | | |
| 8FT | 2 X 54W | (T5 HO) | | |
| 12FT | 3 X 44W | (LED) | 146 - 27/64IN (3719mm) MIDDLE ARM 73 - 7/32IN (860mm) | 150-15/32IN (3822mm) MIDDLE ARM 77-9/32 (1962mm) |
| 12FT | 4 X 28W | (T5) | | |
| 12FT | 3 X 32W | (T8) | | |
| 12FT | 3 X 54W | (T5 HO) | | |

Note: 12FT fixtures do require a middle arm. (See lamp chart)

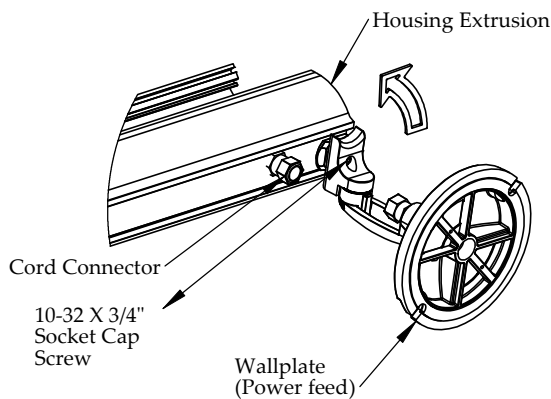
Mounting the Fixture Brackets



Prior to Roughing in J-Boxes:

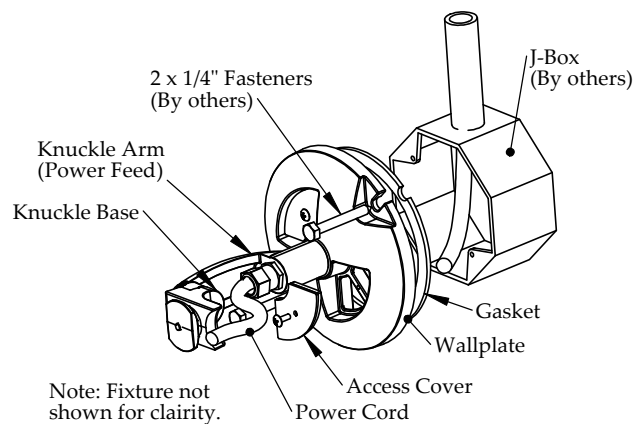
1. Determine the location of fixture mounting and verify structure will support the weight of the fixtures. If necessary, use additional bracing to support brackets.
2. Using mounting plate centers provided in lamp chart, attach mounting arms to fixture assembly (ref. figure 1).
3. Install J-Boxes (by others) (ref. figure 2).

1. Mounting Arm to Fixture Assembly



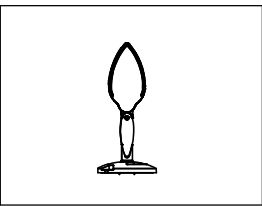
1. Attach arm and knuckle to the wallplate using the 1" nipple and o-ring (be careful not to over compress the o-ring).
2. Once the wallplate arm assembly (Power Feed or Non Power) is assembled, place the Knuckle base horizontally into extrusion track located on back of the fixture.
3. Rotate the complete wallplate arm Power Feed assembly counter-clockwise 90°, and the Non-Power assembly clockwise 90°.
4. Adjust Mounting Arms horizontally to match the desired mounting location and tighten the 10-32 X 3/4" Socket Cap screw; use lamp chart for recommended standard spacing.

2. Mounting Power-Side Assembly

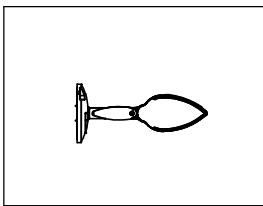


Note: Fixture not shown for clarity.

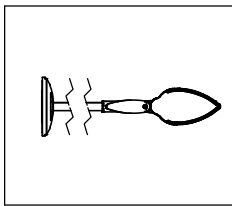
1. Once the mounting arms have been completely assembled, using appropriate 1/4" fasteners (by others), secure mounting plate over the J-box. If necessary, use additional bracing to support Fixtures.
2. Use the access cover to allow you to wire the fixture power to the main power inside the J-box, making sure to re-attach the access cover when finished.



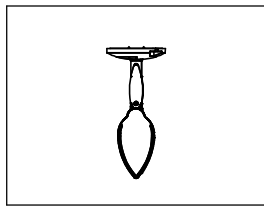
BASE MOUNT



WALL MOUNT



CANTILEVER MOUNT



CEILING MOUNT

These installation instructions are valid with the above Arrowlinear mounting options.

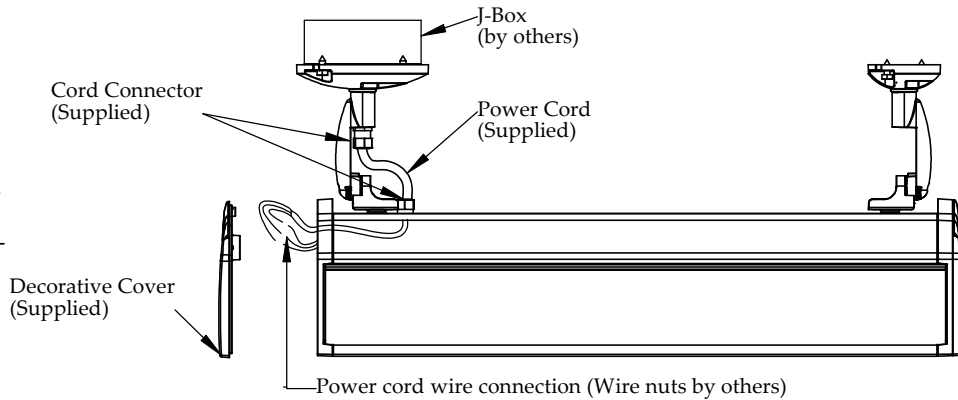
ARROWLINEAR INDOOR

AC / AK: BASE, WALL, CANTILEVERCEILING,

Warning: Before starting any work ensure that all sources of power are turned off. All work must meet local/national codes and be performed by a certified electrician. Do not mount fixtures vertically. Indoor fixtures cannot be used for outdoor applications.

Power Feed

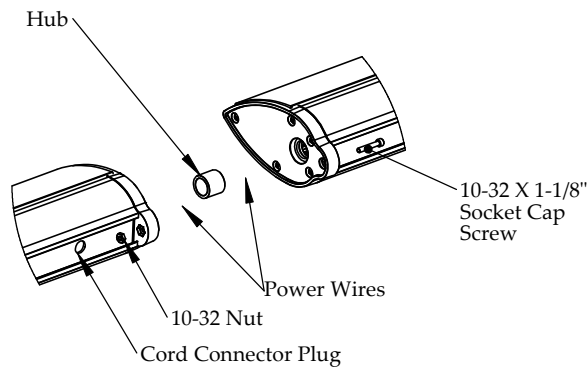
1. Wire the power cord (supplied) to the inside of the fixture by running the power cord through the endcap and out the back through the cord connector.
2. Attach all wires and ensure all connections are properly matched. Hide wires inside the fixture and attach Decorative Cover using 10-32 X 1/2" Socket Cap screw.



Continuous Fixture Joining

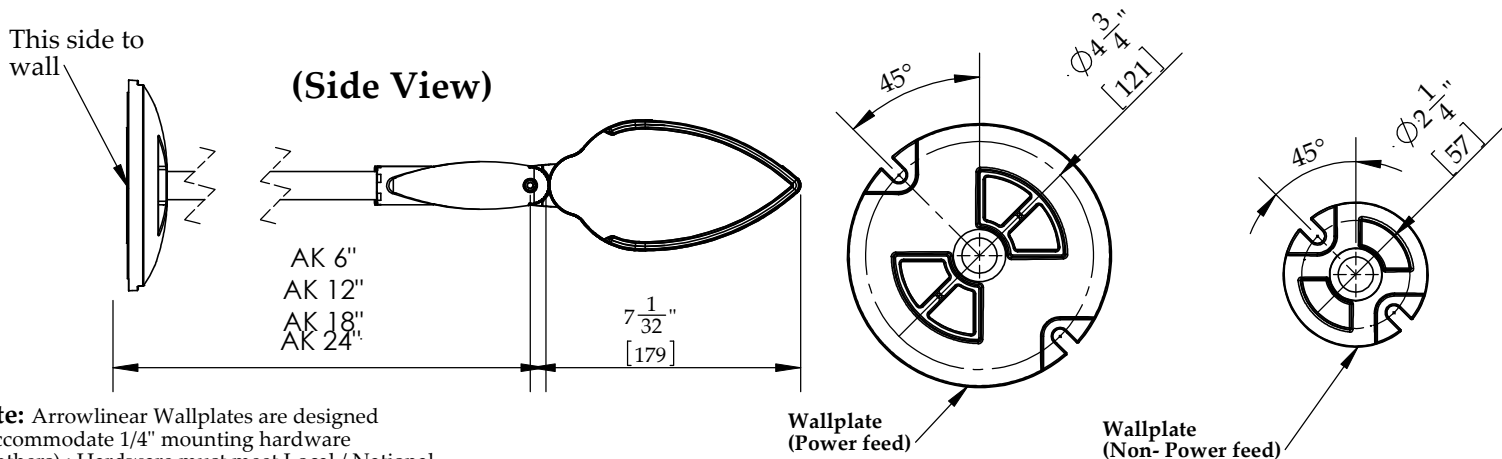
(Fixture lengths vary depending on lamp type; see lamp chart on page 2)

1. Run the fixture power wires through the hub and connect to appropriate power wires of adjoining fixture. All wire push nuts should be placed inside either fixture.
2. Attach the two fixtures together; use the 10-32 X 1-1/8" Socket Cap Screw and nut as shown. Make sure wires run through the hub and the hub is seated properly in between the endcaps.



Note: Fixture not shown in entirety for clarity

Mounting Plate Dimensions: in [mm]



Note: Arrowlinear Wallplates are designed to accommodate 1/4" mounting hardware (by others); Hardware must meet Local / National codes and installation must be provided by a licensed contractor.