



# HALO Commercial

PR4

4-inch Selectable LED Downlight

# PR4

## 4-inch Selectable LED Downlight / Retrofit / Surface



The PR4 series offers ultimate flexibility... an all-inclusive utility downlight.

**Selectable CCT** - select between 3000K / 3500K / 4000K

**Selectable lumen** - select low or high lumen range

Low lumen: 1000 / 1500 / 2000 lumen

High lumen: 2000 / 3000 / 4000 lumen

**Reversible 'flip' lens** - Medium and Wide beam distribution optics in one lens

**New construction / Remodeler** - frame converts from new to remodeler with bar brackets removed

**Retrofit** - update old work with a LED retrofit (apertures from 5.1" to 7")

**Surface** - cylinder accommodates both low lumen and high lumen modules

## Selectable technology puts flexibility at your fingertips.

### Dip switch selection settings for color temperature & lumens

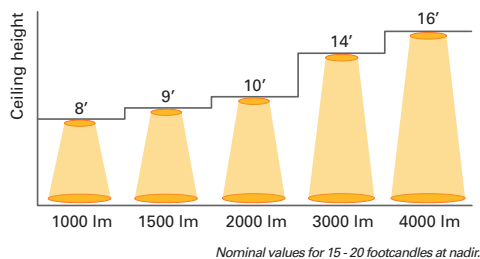


### Field SeleCCTable color temperature

SeleCCTable technology puts flexibility at your fingertips. By using switches located on the LED module, the user can choose from a range of three color temperatures 3000K, 3500K and 4000K.



### Field selectable lumens



PR4 Low Lumen Module			
4000K	<input type="checkbox"/>	2000 lm	<input type="checkbox"/>
3500K <i>(2 options)</i>	<input type="checkbox"/>	1500 lm <i>(2 options)</i>	<input type="checkbox"/>
3000K	<input type="checkbox"/>	1000 lm	<input type="checkbox"/>
<b>SeleCCTable Color</b>		<b>Selectable Lumen</b>	

PR4 High Lumen Module			
4000K	<input type="checkbox"/>	4000 lm	<input type="checkbox"/>
3500K <i>(2 options)</i>	<input type="checkbox"/>	3000 lm <i>(2 options)</i>	<input type="checkbox"/>
3000K	<input type="checkbox"/>	2000 lm	<input type="checkbox"/>
<b>SeleCCTable Color</b>		<b>Selectable Lumen</b>	





## Energy Data

Nominal Lumens Model Number	1000 lumen PR4FS12		1500 lumen PR4FS12		2000 lumen PR4FS12		3000 lumen PR4FS24		4000 lumen PR4FS24		4000 lumen PR4FS24	
LED Module	Low Lumen Module						High Lumen Module					
Input Voltage 120-277VAC	120V	277V	120V	277V	120V	277V	120V	277V	120V	277V	120V	277V
Current (A)	0.089	0.043	0.112	0.052	0.178	0.079	0.176	0.081	0.225	0.101	0.332	0.145
Power (W)	10.5	11	13.4	13.8	21.3	21.4	21	21.2	26.9	27	39.8	39.4
In-rush (A)	8.9	22.2	9.9	24.8	8	19.1	15.3	32.1	11.6	27.9	12.8	27.5
In-rush Duration (ms)	0.145	0.118	0.198	0.107	0.185	0.133	0.237	0.12	0.187	0.081	0.211	0.107
THD (%)	<15.1	<16.7	<13.3	<15.5	<8.2	<10.6	<11	<13.6	<9.05	<11.8	<5.9	<8.8
PF ≥	≥ 0.98	≥ 0.92	≥ 0.98	≥ 0.94	≥ 0.99	≥ 0.97	≥ 0.99	≥ 0.94	≥ 0.99	≥ 0.96	≥ 0.99	≥ 0.98
Minimum starting temperature	-20°C (-4°F) Emergency battery option rated 0°C (32°F)											
Sound Rating	Class A standards											

## Optical distributions



### Medium /Wide

PR4 offers a reversible "flip" lens with medium and wide beam distributions in one lens. Factory set for medium. With a tool-less twist-to-lock "flip" the lens changes from medium to wide distribution.

### Wall Wash

Optional louvered wall wash accessory is field installed, and offers 360° rotation for setting in any orientation.

## Finishes



Matte White



Dark Bronze



Matte Metallic Silver

# PR4 LED Downlight & Wall Wash



4-inch aperture LED downlight offered in medium, wide, and wall wash distributions ideal for general area lighting. Selectable lumen options range from 1000 to 4000 lumens and selectable color temperatures of 3000K / 3500K / 4000K, in 80 or 90 CRI. Luminaire is airtight and can be installed in new construction or from below the finished ceiling in remodeling applications. Intended for healthcare, hospitality, convenience retail, and institutional spaces.

## Order Information

**Sample Number:** PR4FS24D010REM7 – PR4M24MD8FSMW

A complete luminaire consists of a mounting frame and LED module ordered separately, with optional accessories as noted.

### Standard Driver 120-277VAC, 0-10V analog dimming

Mounting Frame	Lumens	Input / Control	Options	Accessories
<b>PR4</b> = 4" lens aperture, new construction / remodeler housing frame <b>PR4CP</b> = 4" lens aperture, new construction / remodeler housing frame, CCEA Chicago Plenum rated	<b>Field Selectable</b> <b>FS12</b> = field selectable 1000, 1500 and 2000 lumens (nominal), use with PR4M12* LED modules only <sup>(4)</sup> <b>FS24</b> = field selectable 2000, 3000 and 4000 lumens (nominal), use with PR4M24* LED modules only <sup>(4)</sup>  <b>Discrete (fixed) Factory Set</b> <sup>(5)</sup> <b>10</b> = 1000 lumens (nominal), use with PR4M12* LED modules only <b>15</b> = 1500 lumens (nominal), use with PR4M12* LED modules only <b>30</b> = 3000 lumens (nominal), use with PR4M24* LED modules only	<b>D010</b> = 120-277VAC 50/60Hz, 0-10V analog, 1%-100% dimming	<b>REM7</b> = integral 7 watt emergency battery pack with remote test / indicator light, use with D010 only <sup>(1)</sup> <b>REM14</b> = integral 14 watt emergency battery pack with remote test / indicator light, use with D010 only <sup>(1)</sup> <b>BOD7ST</b> = 7.5 watt Bodine self-test diagnostic emergency module with remote test / indicator light, use with D010 only <sup>(1)</sup> <b>WTA</b> = Factory installed WaveLinX Sensor Kit <sup>(1)(7)</sup> <b>WTK</b> = Factory installed WaveLinX Lite Sensor Kit <sup>(1)(7)</sup>	<b>HB128APK</b> = L-channel "No Fuss" hanger bar, 26", pair (replacement) <b>RMB22</b> = Adjustable wood joist mounting bars, pair, extend 22" long <b>H347</b> = 347 to 120V step down transformer, 75VA <b>H347200</b> = 347 to 120V step down transformer, 200VA <b>WTA</b> = Field installed WaveLinX Sensor Kit <sup>(1)(7)</sup> <b>WTK</b> = Field installed WaveLinX Lite Sensor Kit <sup>(1)(7)</sup>

### DLV Driver Distributed Low Voltage Power System

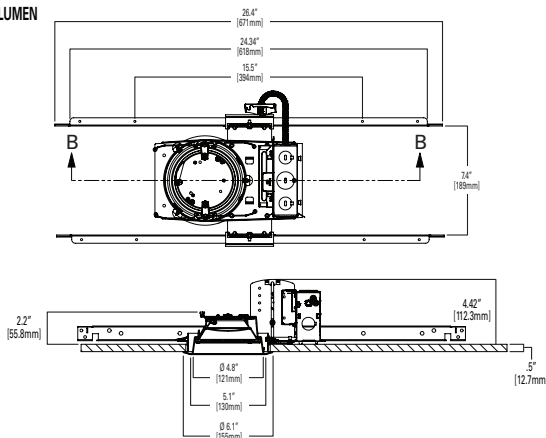
Mounting Frame	Lumens <sup>(6)</sup>	Input / Control	Options	Accessories
<b>PR4</b> = 4" lens aperture, new construction / remodeler housing frame with DLVP driver <sup>(1)</sup>	<b>10</b> = 1000 lumens (nominal), use with PR4M12* LED modules only <b>15</b> = 1500 lumens (nominal), use with PR4M12* LED modules only <b>20</b> = 2000 lumens (nominal), use with PR4M12* LED modules or with PR4M24* LED modules <b>30</b> = 3000 lumens (nominal), use with PR4M24* LED modules only <b>40</b> = 4000 lumens (nominal), use with PR4M24* LED modules only	<b>DLV</b> = distributed low voltage dimming driver (1%-100%) For use with DLVP system. Refer to DLVP low-voltage power module and DLVP specifications for details. <sup>(1)</sup>	<b>REM7</b> = 7 watt emergency battery pack with remote test / indicator light, use with DLV only <sup>(1)(2)</sup> <b>REM14</b> = 14 watt emergency battery pack with remote test / indicator light, use with DLV only <sup>(1)(2)</sup>	<b>HB128APK</b> = L-channel "No Fuss" hanger bar, 26", pair (replacement) <b>RMB22</b> = Adjustable wood joist mounting bars, pair, extend 22" long

LED Module	Lumen Range	Distribution	CRI / CCT	Finish	Accessories
<b>PR4M</b> = 4" lens aperture, LED trim/module with self-flanged shallow reflector. For use with PR4 series housing frames, retrofit frames, and surface cylinders	<b>12</b> = field selectable 1000, 1500 and 2000 lumens (nominal). Factory pre-set for 2000 lumens. Use with PR4FS12*, PR410*, PR415*, PR420* mounting frames only. <b>24</b> = field selectable 2000, 3000 and 4000 lumens (nominal). Factory pre-set for 4000 lumens. Use with PR4FS24*, PR420*, PR430*, PR440* mounting frames only.	<b>MD</b> = medium / wide beam reversible "flip" lens. Factory set for medium. Tool-less twist-to-lock flip changes from medium to wide distribution.  Medium distribution (70°, 1.01 SC)  Wide distribution (107°, 1.61 SC)	<b>Field Selectable</b> <b>8FS</b> = 80 CRI (minimum) with field selectable 3000K, 3500K and 4000K CCT (nominal). Factory pre-set for 3500K. <b>9FS</b> = 90 CRI (minimum) with field selectable 3000K, 3500K and 4000K CCT (nominal). Factory pre-set for 3500K.  <b>Discrete (fixed) Factory Set</b> <b>827</b> = 80 CRI (minimum) 2700K <b>927</b> = 90 CRI (minimum) 2700K <b>850</b> = 80 CRI (minimum) 5000K <b>950</b> = 90 CRI (minimum) 5000K	<b>MW</b> = matte white ring/self-flanged reflector <b>MMS</b> = matte metallic silver ring/self-flanged reflector <b>BZ</b> = bronze ring/self-flanged reflector	<b>PR4WW</b> = 4" wall wash optic, field installed <b>PR4MDWD</b> = 4" reversible medium / wide distribution - replacement lens <b>OT450P</b> = Oversize metal retrofit ring with 5.5" ID opening, 8" OD flange, matte white finish

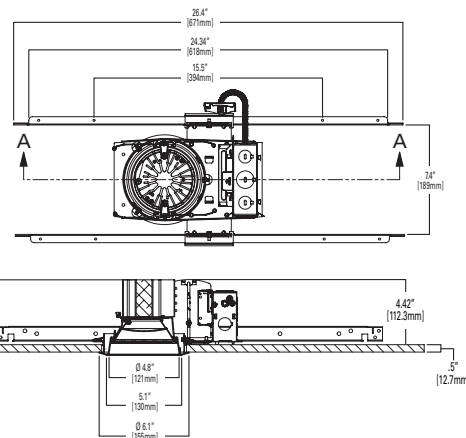
### Notes:

- (1) Not available for Chicago Plenum
- (2) ULus for U.S. only
- (3) WTA = WaveLinX tile mount sensor kit for daylight dimming, PIR motion sensing, and optional RLTS - Real Time Location Services, use with D010 only (Refer to WaveLinX system specifications)
- (4) FS12 factory preset 2000 lumens in PR4M12 LED module. FS24 factory preset 4000 lumens in PR4M24 LED module.
- (5) Driver has fixed lumen output. Lumen selector switch on LED modules do not change lumens in fixed output housings.
- (6) DLV driver has fixed lumen output. Lumen selector switch on LED modules do not change lumens in fixed output housings.
- (7) WTK = WaveLinX Lite tile mount sensor kit for daylight dimming, PIR motion sensing, use with D010 only (Refer to WaveLinX Lite system specifications)

LOW LUMEN



HIGH LUMEN



# PR4R LED Retrofit Downlight & Wall Wash



4-inch aperture LED retrofit downlight offered in medium, wide, and wall wash distributions ideal for general area lighting. Selectable lumen options range from 1000 to 4000 lumens and selectable color temperatures of 3000K / 3500K / 4000K, in 80 or 90 CRI. Luminaire is for installation from below the finished ceiling in retrofitting applicable existing open frame downlights (nominal apertures 5.1" to 7"). Intended for healthcare, hospitality, convenience retail, and institutional spaces.

## Order Information

**Sample Number:** PR4RFS24D010REM7 – PR4M24MD8FSMW

A complete luminaire consists of a mounting frame and LED module ordered separately, with optional accessories as noted.

### Standard Driver 120-277VAC, 0-10V analog dimming

Mounting Frame	Lumens	Input / Control	Options	Accessories
<b>PR4R</b> = 4" lens aperture, retrofit frame arm with integrated junction box and driver <sup>(4)</sup> <b>PR4RCP</b> = 4" lens aperture, retrofit frame arm with integrated junction box and driver, CCEA Chicago Plenum rated <sup>(4)</sup>	<b>Field Selectable</b> <b>FS12</b> = field selectable 1000, 1500 and 2000 lumens (nominal), use with PR4M12* LED modules only <sup>(5)</sup> <b>FS24</b> = field selectable 2000, 3000 and 4000 lumens (nominal), use with PR4M24* LED modules only <sup>(5)</sup>  <b>Discrete (fixed) Factory Set<sup>(6)</sup></b> <b>10</b> = 1000 lumens (nominal), use with PR4M12* LED modules only <b>15</b> = 1500 lumens (nominal), use with PR4M12* LED modules only <b>30</b> = 3000 lumens (nominal), use with PR4M24* LED modules only	<b>D010</b> = 120-277VAC 50/60Hz, 0-10V analog, 1%-100% dimming	<b>REM7</b> = integral 7 watt emergency battery pack with remote test / indicator light, use with D010 only <sup>(1)</sup> <b>REM14</b> = integral 14 watt emergency battery pack with remote test / indicator light, use with D010 only <sup>(1)</sup> <b>BOD7ST</b> = 7.5 watt Bodine self-test diagnostic emergency module with remote test / indicator light, use with D010 only <sup>(1)</sup> <b>WTA</b> = Factory installed WaveLinX Sensor Kit (use with D010 only) <sup>(1)(3)</sup> <b>WTK</b> = Factory installed WaveLinX Lite Sensor Kit <sup>(1)(9)</sup>	<b>H347</b> = 347 to 120V step down transformer, 75VA <b>H347200</b> = 347 to 120V step down transformer, 200VA <b>WTA</b> = Field installed WaveLinX Sensor Kit (use with D010 only) <sup>(1)(3)</sup> <b>WTK</b> = Field installed WaveLinX Lite Sensor Kit <sup>(1)(9)</sup>

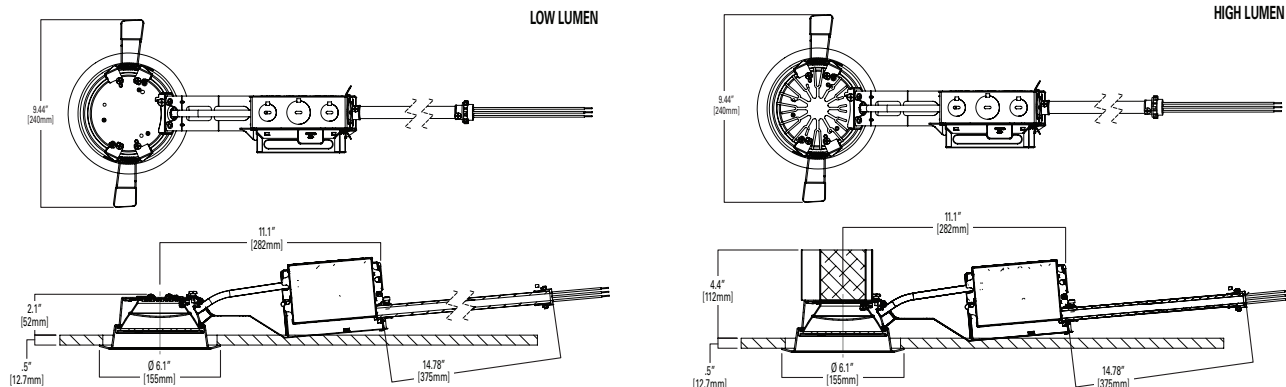
### DLV Driver Distributed Low Voltage Power System

Mounting Frame	Lumens <sup>(7)</sup>	Input / Control	Options	Accessories
<b>PR4R</b> = 4" lens aperture, retrofit frame arm with integrated junction box and low voltage DLVP system driver <sup>(8)</sup>	<b>10</b> = 1000 lumens (nominal), use with PR4M12* LED modules only <b>15</b> = 1500 lumens (nominal), use with PR4M12* LED modules only <b>20</b> = 2000 lumens (nominal), use with PR4M12* LED modules or with PR4M24* LED modules <b>30</b> = 3000 lumens (nominal), use with PR4M24* LED modules only <b>40</b> = 4000 lumens (nominal), use with PR4M24* LED modules only	<b>DLV</b> = distributed low voltage dimming driver (1%-100%) For use with DLVP system. Refer to DLVP low-voltage power module and DLVP specifications for details. <sup>(1)</sup>	<b>REMV7</b> = 7 watt emergency battery pack with remote test / indicator light, use with DLV only <sup>(1)(2)</sup> <b>REMV14</b> = 14 watt emergency battery pack with remote test / indicator light, use with DLV only <sup>(1)(2)</sup>	

LED Module	Lumen Range	Distribution	CRI / CCT	Finish	Accessories
<b>PR4M</b> = 4" lens aperture, LED trim/module with self-flanged shallow reflector. For use with PR4 series housing frames, retrofit frames, and surface cylinders	<b>12</b> = field selectable 1000, 1500 and 2000 lumens (nominal). Factory pre-set for 2000 lumens. Use with PR4RFS12*, PR4R10*, PR4R15*, PR4R20* mounting frames only. <b>24</b> = field selectable 2000, 3000 and 4000 lumens (nominal). Factory pre-set for 4000 lumens. Use with PR4RFS24*, PR4R20*, PR4R30*, PR4R40* mounting frames only.	<b>MD</b> = medium / wide beam reversible "flip" lens. Factory set for medium. Tool-less twist-to-lock flip changes from medium to wide distribution.  Medium distribution (70°, 1.01 SC)  Wide distribution (107°, 1.61 SC)	<b>Field Selectable</b> <b>8FS</b> = 80 CRI (minimum) with field selectable 3000K, 3500K and 4000K CCT (nominal). Factory pre-set for 3500K. <b>9FS</b> = 90 CRI (minimum) with field selectable 3000K, 3500K and 4000K CCT (nominal). Factory pre-set for 3500K.  <b>Discrete (fixed) Factory Set</b> <b>827</b> = 80 CRI (minimum) 2700K <b>927</b> = 90 CRI (minimum) 2700K <b>850</b> = 80 CRI (minimum) 5000K <b>950</b> = 90 CRI (minimum) 5000K	<b>MW</b> = matte white ring/self-flanged reflector <b>MMS</b> = matte metallic silver ring/self-flanged reflector <b>BZ</b> = bronze ring/self-flanged reflector	<b>PR4WW</b> = 4" wall wash optic, field installed <b>PR4MDWD</b> = 4" reversible medium / wide distribution - replacement lens <b>OT450P</b> = Oversize metal retrofit ring with 5.5" ID opening, 8" OD flange, matte white finish

### Notes:

- (1) Not available for Chicago Plenum
- (2) ULus for U.S. only
- (3) WTA = WaveLinX tile mount sensor kit for daylight dimming, PIR motion sensing, and optional RLTS - Real Time Location Services, use with D010 only (Refer to WaveLinX system specifications)
- (4) Retrofits 5.1" min. to 5.75" max. aperture (up to 7" max. aperture with OT450P accessory ring)
- (5) FS12 factory preset 2000 lumens in PR4M12 LED module. FS24 factory preset 4000 lumens in PR4M24 LED module.
- (6) Driver has fixed lumen output. Lumen selector switch on LED modules do not change lumens in fixed output housings.
- (7) DLV driver has fixed lumen output. Lumen selector switch on LED modules do not change lumens in fixed output housings.
- (8) Retrofits 5.1" min. to 5.75" max. aperture (up to 7" max. aperture with OT450P accessory ring)
- (9) WTK = WaveLinX Lite tile mount sensor kit for daylight dimming, PIR motion sensing, use with D010 only (Refer to WaveLinX Lite system specifications)





# PR4S LED Surface Mount Cylinder

4-inch aperture LED surface mount cylinder for use with PR4M\* self-flanged lensed LED downlight offered in medium, wide, and wall wash distributions ideal for general area lighting. Selectable lumen options range from 1000 to 4000 lumens and selectable color temperatures of 3000K / 3500K / 4000K, in 80 or 90 CRI. Intended for healthcare, hospitality, convenience retail, and institutional spaces.

## Order Information

**Sample Number:** PR4SFS24D010MW – PR4M24MD8FSMW

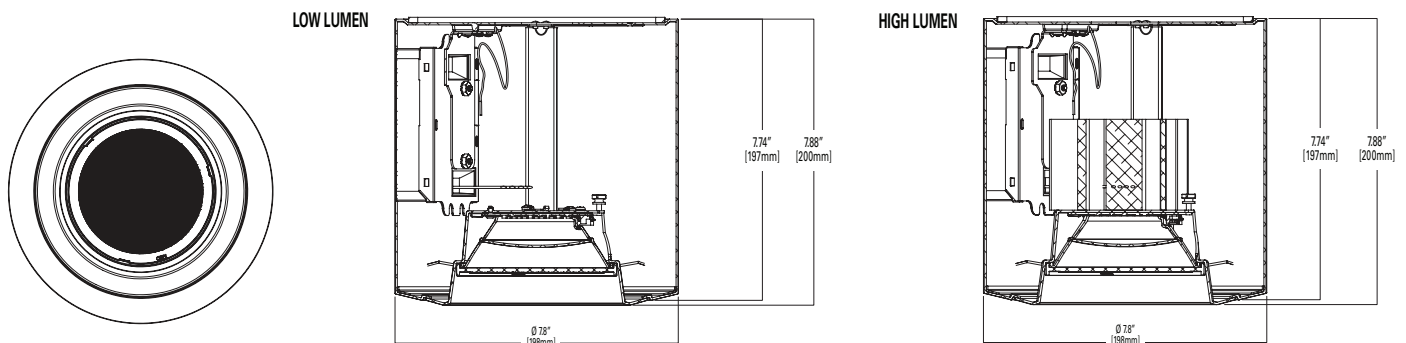
A complete luminaire consists of a surface cylinder and LED module, ordered separately.

### Standard Driver 120-277VAC, 0-10V analog dimming

Mounting	Lumens	Input / Control	Finish
<b>PR4S</b> = 4" lens aperture, surface mount cylinder	<b>Field Selectable</b> <b>FS12</b> = field selectable 1000, 1500 and 2000 lumens (nominal), use with PR4M12* LED modules only <sup>(1)</sup> <b>FS24</b> = field selectable 2000, 3000 and 4000 lumens (nominal), use with PR4M24* LED modules only <sup>(1)</sup>  <b>Discrete (fixed) Factory Set</b> <sup>(2)</sup> <b>10</b> = 1000 lumens (nominal), use with PR4M12* LED modules only <b>15</b> = 1500 lumens (nominal), use with PR4M12* LED modules only <b>30</b> = 3000 lumens (nominal), use with PR4M24* LED modules only	<b>D010</b> = 120-277VAC 50/60Hz, 0-10V analog, 1%-100% dimming	<b>MW</b> = matte white <b>MMS</b> = matte metallic silver <b>BZ</b> = bronze
<b>Notes</b>			
(1) FS12 factory preset 2000 lumens in PR4M12 LED module. FS24 factory preset 4000 lumens in PR4M24 LED module. (2) Driver has fixed lumen output. Lumen selector switch on LED modules do not change lumens in fixed output housings.			

LED Module	Lumen Range	Distribution	CRI / CCT	Finish	Accessories
<b>PR4M</b> = 4" lens aperture, LED trim/module with self-flanged shallow reflector. For use with PR4 series housing frames, retrofit frames, and surface cylinders.	<b>12</b> = field selectable low lumen range 1000, 1500 and 2000 lumens (nominal). Factory pre-set for 2000 lumens. Use with PR4SFS12*, PR4S10*, PR4S15* surface cylinders.  <b>24</b> = field selectable high lumen range 2000, 3000 and 4000 lumens (nominal). Factory pre-set for 4000 lumens. Use with PR4SFS24*, PR4S30* surface cylinders.	<b>MD</b> = medium / wide beam reversible "flip" lens. Factory set for medium. Tool-less twist-to-lock flip changes from medium to wide distribution.  Medium distribution (70°, 1.01 SC)  Wide distribution (107°, 1.61 SC)	<b>Field Selectable</b> <b>8FS</b> = 80 CRI (minimum) with field selectable 3000K, 3500K and 4000K CCT (nominal). Factory pre-set for 3500K. <b>9FS</b> = 90 CRI (minimum) with field selectable 3000K, 3500K and 4000K CCT (nominal). Factory pre-set for 3500K.  <b>Discrete (fixed) Factory Set</b> <b>827</b> = 80 CRI (minimum) 2700K <b>927</b> = 90 CRI (minimum) 2700K <b>850</b> = 80 CRI (minimum) 5000K <b>950</b> = 90 CRI (minimum) 5000K	<b>MW</b> = matte white ring/self-flanged reflector <b>MMS</b> = matte metallic silver ring/self-flanged reflector <b>BZ</b> = bronze ring/self-flanged reflector	<b>PR4WW</b> = 4" wall wash optic, field installed <b>PR4MDWD</b> = 4" reversible medium / wide distribution - replacement lens

## PR4S LED Surface Mount Cylinder Downlight and Wall Wash



# Connected Systems

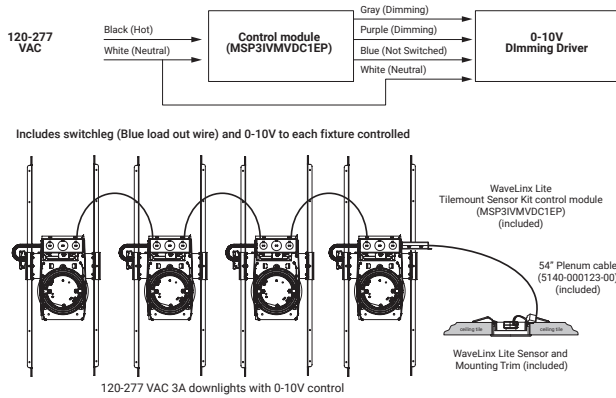
## WaveLinx Lite - WTK Tilemount Sensor



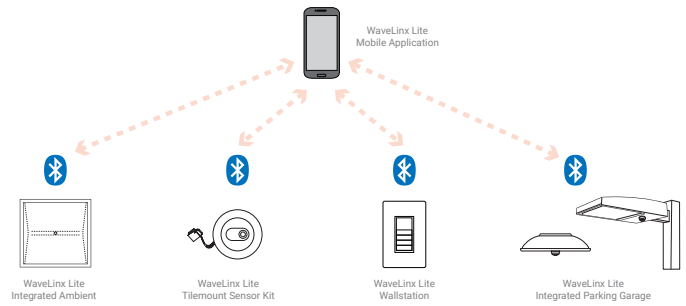
- Intuitive Android™ or Apple® iOS® app for basic system code compliant set up and configuration via Bluetooth
- Up to 28 unique areas per project site (WaveLinx Lite Bluetooth network)
- Up to 50 devices for an area, any one of 16 control zones, up to 6 occupancy sets, and custom lighting scenes
- Automatic occupancy or vacancy, sensor sensitivity, daylight dimming, etc. configurable through the app
- Refer to the WaveLinx system specifications for details



### WaveLinx Lite WTK Tilemount Wiring Diagram



### WaveLinx Lite Bluetooth Enabled System



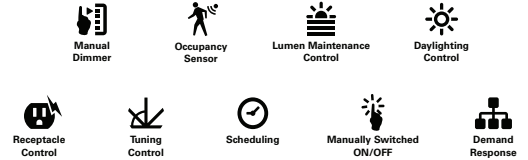
## WaveLinx Wireless – WTA Tilemount Sensor



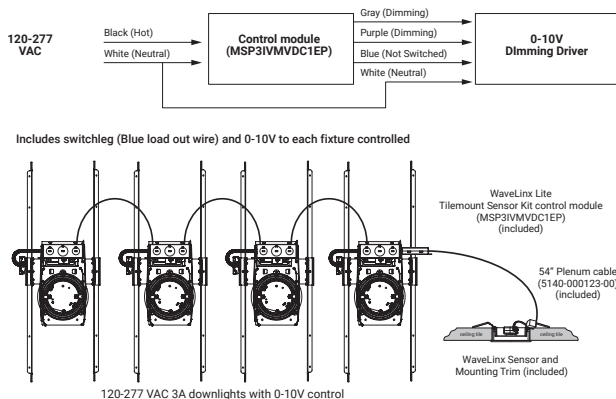
- WaveLinx Wireless functionality configures zones and customizes settings from one secure mobile app
- Automatic code commissioning that meets the strictest codes
- Fixtures and sensors integrate with Wireless Area Controller, Wall Stations, and Control Devices
- Stand-Alone Offices or Entire Building Network Installations



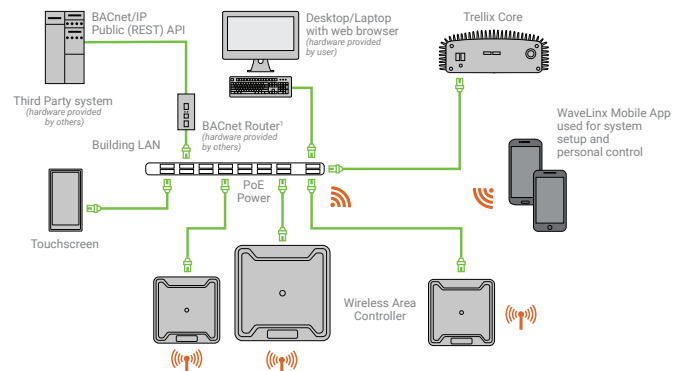
### WaveLinx mobile app settings



### WaveLinx Lite WTA Tilemount Wiring Diagram



### WaveLinx Wireless Trellix Building Management Integration



### Lighting Product Lines

Ametrix  
AtLite  
Corelite  
Ephesus  
Fail-Safe  
HALO  
HALO Commercial  
Invue  
io  
IRiS  
Lumark  
Lumière  
McGraw-Edison  
Metalux  
MWS  
Neo-Ray  
Portfolio  
RSA  
Shaper  
Streetworks  
Sure-Lites

### Controls Product Lines

Greengate

### Connected Lighting Systems

Fifth Light (Canada Only)  
HALO Home  
WaveLinx

### IoT Platform

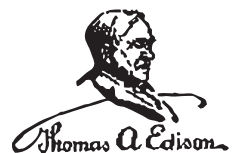
Trellix



**Cooper Lighting Solutions**  
1121 Highway 74 South  
Peachtree City, GA 30269  
P: 770-486-4800  
[www.cooperlighting.com](http://www.cooperlighting.com)

**Canada Sales**  
5925 McLaughlin Road  
Mississauga, Ontario L5R 1B8  
P: 905-501-3000  
F: 905-501-3172

© 2020 Cooper Lighting Solutions  
All Rights Reserved  
Printed in USA  
Publication No. BR517020EN  
April 2021



All other trademarks are property of their respective owners.

Product availability, specifications, and compliances are subject to change without notice.