

Project		Catalog #		Type	
Prepared by		Notes		Date	



HALO

HLBP6

6-Inch LED Lens Downlight with Remote Driver / Junction Box

Typical Applications

Residential

Interactive Menu

- Order Information page 2
- Product Specifications page 2
- Energy Data page 3
- Photometric Data page 3
- Product Warranty
- Dimming Guide

Product Certification



Refer to ENERGY STAR® Certified Products List.
Can be used to comply with California Title 24 High Efficacy requirements.
Certified to California Appliance Efficiency Database under JAB.

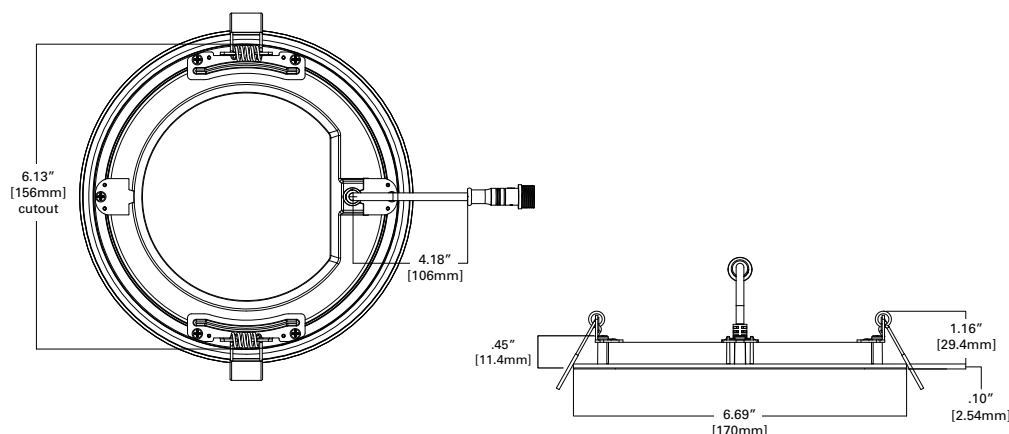
Product Features



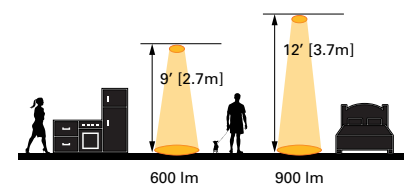
Top Product Features

- Direct mount - does not require recessed housing or junction box
- Delivers up to 1,100 lumens
- Achieves L70 at 50,000 hours in IC and non-IC applications
- 5-color field selectable CCT: 2700K, 3000K, 3500K, 4000K, 5000K

Dimensional and Mounting Details



Scale



additional product diagrams

Order Information

SAMPLE ORDER NUMBER: **HLBPH6099FS1EMWR**

Models	Lumens	CRI / CCT	Driver	Finish	Packaging
HLBPH6 = 6-Inch LED smooth lens downlight with plastic housing and remote driver / junction box	09 = 900 lumens (nominal)	9FS = 90 CRI minimum, field selectable 2700K, 3000K, 3500K, 4000K or 5000K CCT	1E = 120V 60Hz, LE & TE phase cut 5% dimming	MW = matte white flange	R = recyclable 4-color unit carton suitable for point of purchase merchandising display
Notes	Notes	Notes	Notes	Notes	Notes

Accessories

Accessories	
HL6RSMF = 6" round and square mounting frame HLB6ROTMW = 6" round oversized trim ring, 6.875" OD, matte white Designer Trims HLB6RTRMMW = 6" round decorative overlay, matte white HLB6RTRMMB = 6" round decorative overlay, matte black HLB6RTRMSN = 6" round decorative overlay, satin nickel HLB6RTRMTBZ = 6" round decorative overlay, tuscan bronze	Extension Cable seleCCTable Driver/Jbox HLB06FSEC = 6 ft. extension cable HLB12FSEC = 12 ft. extension cable HLB20FSEC = 20 ft. extension cable



HLB6RTRMMW
White (Paintable), Splay



HLB6RTRMMB
Matte Black, Splay



HLB6RTRMSN
Satin Nickel, Splay



HLB6RTRMTBZ
Tuscan Bronze, Splay

Product Specifications

Housing

- Plastic mounting frame with integral flange provides passive thermal cooling achieving L70 at 50,000 hours in IC and non-IC applications

Optics

- Precision acrylic light guide organizes source flux into wide distribution with 1.28 spacing criteria, useful for general area illumination

LED Array

- Plurality of mid power LED's provides a uniform source with high efficiency and long life
- Available in 90 CRI minimum, R9 greater than 50 provides high color rendering
- Field Selectable color temperature (5 colors):
 - 2700K, 3000K, 3500K, 4000K, 5000K
 - Color accuracy of 3 step at the ends, 4 step in the middle
- Meets ENERGY STAR® color angular uniformity requirements, deviation is less than 0.006 u' v'

Remote Driver/Junction Box

- Die formed metal driver / junction box with captive hinged junction box cover
- Listed for (6) #12 AWG 90° C splice conductors, 2-in, 2-out plus (2) ground
- (4) ½" conduit pry-outs
- Accepts 14-2, 14-3, 12-2, 12-3 U.S. and 14-2, 14-3, 12-2 Canadian NM cable
- (3) 4-port push wire nuts for quick and reliable mains voltage connections
- Integral mounting facilitates direct mounting to building structure or mounting frame

Driver

- 120V 60 Hz constant current driver provides noise free operation
- Continuous, flicker-free dimming from 100% to 5% with select leading or trailing edge 120V phase cut dimmers

Installation

- Can be installed in 3/8" to 1-1/4" thick ceilings
- Round ceiling cutout
- Heat treated springs hold fixture fitting securely in the ceiling eliminating light leaks
- Housing is less than ½" thick and can span a 2" nominal framing member
- Can be removed from below the ceiling for service or replacement

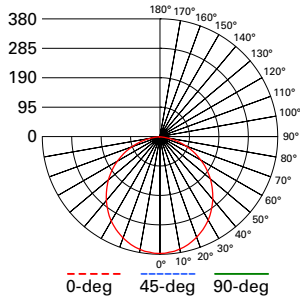
Compliance

- UL Certified US and Canada Type IC suitable for direct contact with air permeable insulation
- Not recommended for use in direct contact with spray foam insulation, reference NEMA LSD57-2013
- Wet location listed and IP44 ingress protection
- Airtight per ASTM-E283-04
- Suitable for use in clothes closets when installed in accordance with the NEC 410.16 spacing requirements
- EMI/RFI emissions per FCC 47CFR Part 15 consumer limits
- Contains no mercury or lead and RoHS compliant
- Photometric testing in accordance with IES LM-79-08
- Lumen maintenance projections in accordance with IES LM-80-08 and TM-21-11
- Can be used for State of California Title 24 high efficacy LED compliance under JA8, reference Modernized Appliance Efficiency Database System (MAEDBS) for 2019 JA8 High Efficacy Lighting
- ENERGY STAR® certified, reference "Certified Light Fixtures" database

Warranty

- Five year limited warranty, consult website for details. www.cooperlighting.com/warranty

Photometric Data



HLBPH6099FS1EMWR-3000K
 Spacing criterion: (0-180) 1.23
 (90-270) 1.23
 (Diagonal) 1.35
 Beam Angle: 109°
 Field Angle: 160°
 Lumens: 1015
 Input Watts: 14.2 W
 Efficacy: 71.5 LPW
 Test Report:
 HLBPH6099FS1EMWR-3000K.ies

Zonal Lumen	Lumens	% Lumens
0-30	292	28.1
0-40	476	45.7
0-60	831	79.9
0-90	1041	100

TM-30-15	Rf = 91
	Rg = 98
CRI/CIE	Ra = 94
	R9 = 69

CCT - Range of 2700K- 5000K



109°

Energy Data

HLBPH6099FS1EMWR	
Input Voltage	120V
Input Current	0.117 (A)
Input Power	14.0 (W)
Efficiency	72.5 (LPW)
Inrush (A)	0.98 A @ 108 μS
THD:	≤ 7.2%
PF:	≥ 0.99
T Ambient	-30° - +40°C
Sound Rating	≤ 22 dba

HLBPH6099FS1EMWR				
CCT	Watts	Lumens	LPW	CRI
2700K	14.2	995	70.1	93
3000K	14.2	1015	71.5	93
3500K	14.3	1055	73.8	94
4000K	14.3	1080	75.5	94
5000K	14.2	1100	77.5	93

Product Specifications

HLBPH6099FS1EMWR

PRODUCT SPECIFICATIONS	
Lumens	1015
Watts	14.2
Lumens Per Watt (Efficacy)	71.5
Color Accuracy (CRI)	93
Light Color (CCT)	3000K
Correlated Color Temperature (CCT)	
2700K	3000K
4500K	6500K

Dimensional Details

