

LC32 Linear Cove System

⚠ Carefully read fixture labels and instructions and follow all warnings prior to installation

WARNINGS

- 1). WARNING! – Risk of Fire/Electric Shock. Disconnect power at fuse or circuit breaker before installing or servicing.
- 2). WARNING! – Risk of Fire/Electric Shock. If not qualified, consult an electrician.
- 3). WARNING! – For use in dry/damp locations only.
- 4). WARNING! – Avoid contact with LED modules.

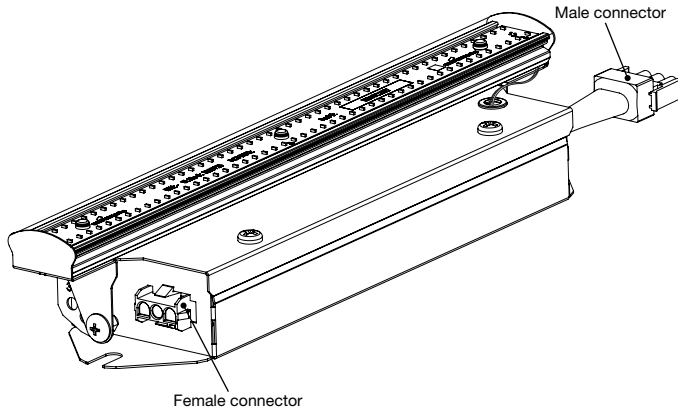
NOTES

- 1). NOTE! – This product must be installed in accordance with local/ national electrical codes.
- 2). NOTE! – Only those open holes indicated in the drawings may be made or altered as a result of installation. Do not leave any other open holes in an enclosure of wiring or electrical components.
- 3). NOTE! – To prevent wiring damage or abrasion, do not expose wiring to edges of sheet metal or any sharp objects.
- 4). NOTE! – See Installation Specifications table for maximum continuous run length based on product type.
- 5). NOTE! – For ELV dimming option, use electronic low-voltage (ELV) reverse phase control dimmers only.

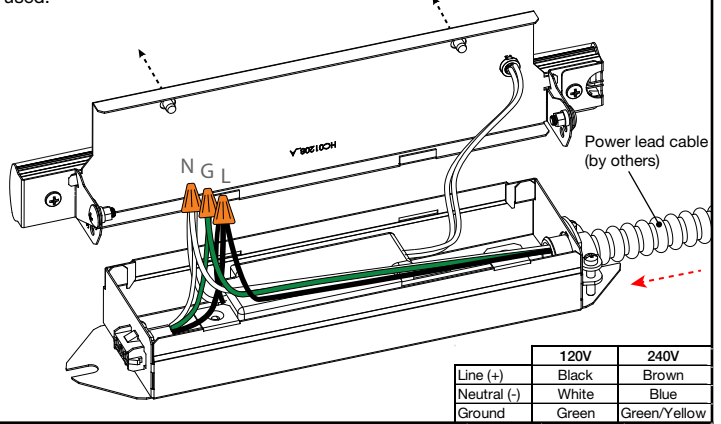
Input Voltage (VAC)	Light Level	Unit Length	Input Current (A)	Max. Number of Units (Linear Feet) to be Interconnected	Max. Distance Between Interconnected Units using Jumper Cable
120 VAC	Light Level 1	12" (305mm)	0.16	60 (60')	12' (3.7m)
		24" (610mm)	0.16	60 (120')	
	Light Level 2	12" (305mm)	0.16	60 (60')	
		24" (610mm)	0.32	30 (60')	
277 VAC	Light Level 1	12" (305mm)	0.08	120 (120')	12' (3.7m)
		24" (610mm)	0.08	120 (240')	
	Light Level 2	12" (305mm)	0.08	120 (120')	
		24" (610mm)	0.16	60 (120')	

1. Unpack fixtures from box.

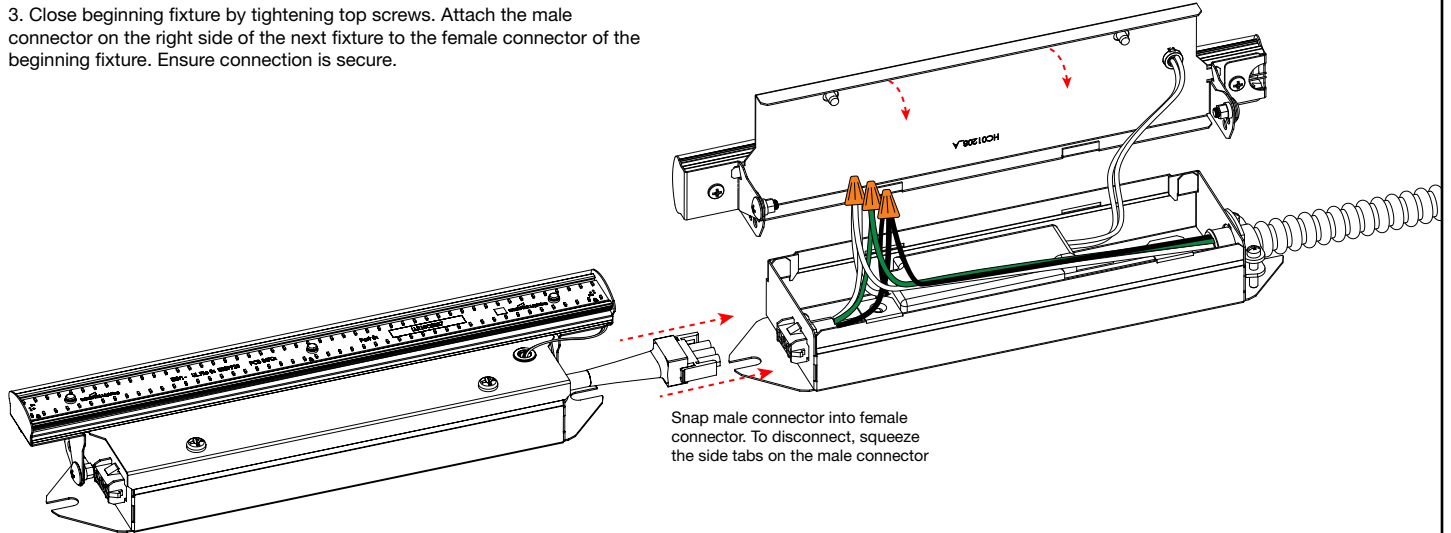
NOTE: If your installation calls for the jumper cable accessory to add space between fixtures, make sure they are available.



2. Prepare beginning fixture for line voltage input by removing top screws to open wiring compartment. Remove male connector wiring from fixture and discard. Feed power lead cable (by others) through right side hole and trim to desired length. Connect power lead cable and input driver wiring to female connector wires via wire nuts. **NOTE:** Minimum of 18 AWG power lead cable wires to be used.



3. Close beginning fixture by tightening top screws. Attach the male connector on the right side of the next fixture to the female connector of the beginning fixture. Ensure connection is secure.



4. Continue to connect each additional fixture in the series using the connectors. Do not exceed the maximum allowable run length (See table above). No connector endcap is needed for final fixture.

