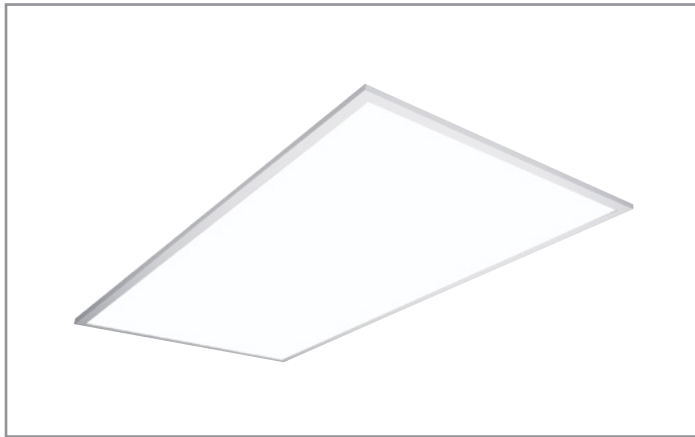


Project		Catalog #		Type	
Prepared by		Notes		Date	



# Metalux

## RT Panel CCT / Lumen Select

Recessed LED Flat Panel with Selectable Lumens & CCT

### Typical Applications

Office • Education • Healthcare • Retail • Residential

### Interactive Menu

- Order Information page 2
- Product Warranty

### Product Certification



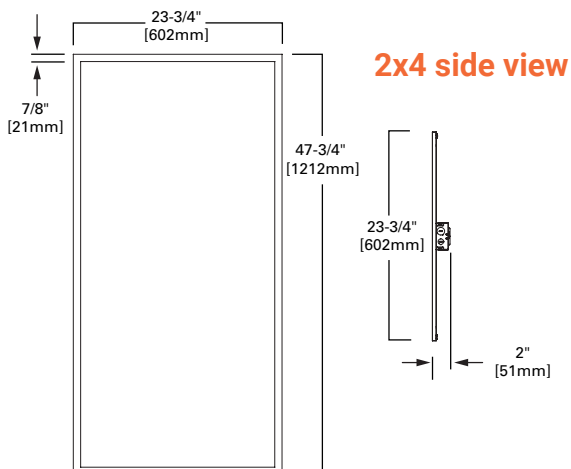
### Product Features



### Top Product Features

- 3 color CCT select: 3000, 3500 and 4000K
- 3 lumen select: 3100, 4500, and 6200
- Replaces 2, 3 or 4 lamp T8 fluorescent (up to 128W equivalent)
- Low profile, IC Rated recessed form factor
- Long life LEDs can last 24 years or more

### Dimensional and Mounting Details



## Product Information

		Low	LED	High
RT24SL2C3	4000K	27.2W 3180lm 117LPW	40.2W 4620lm 115LPW	56.3W 6300lm 112LPW
	3500K	27.2W 3150lm 116LPW	40.2W 4550lm 113LPW	56.3W 6250lm 111LPW
	3000K	27.2W 3100lm 114LPW	40.2W 4500lm 112LPW	56.3W 6200lm 110LPW

## Accessories

### Drywall Frame Kit

Catalog	UPC	Size
DF-24W-U	662401232970	2x4

### Surface Mount Kit<sup>3</sup>

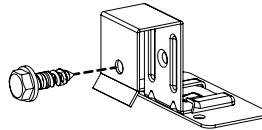
Catalog	UPC	Size
FPXSURF24	080083867400	2x4

Notes: (3) May not be used with EL7W or EL14W options.

### Ceiling Retention

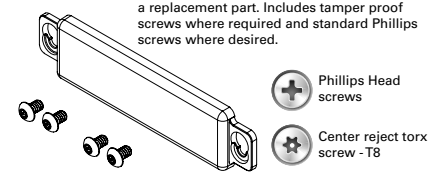
Catalog	UPC
FPEQ	080083802685

Required by some local codes. Order one set for each fixture (Four clips per kit)



### SCTCOV

Transparent cover is included and available as a replacement part. Includes tamper proof screws where required and standard Phillips screws where desired.



## Product Specifications

### Construction

- Narrow bezel is tightly held to code gauge steel back plate
- Seamless corners maximize light emitting surface area
- Recessed lay-in installation. Fits standard T-grid systems

### Mounting

- Integral grid locking clips for added safety
- Suspension clips provided for installation flexibility when added retention is required
- Junction box constructed of code gauge galvanized steel with easy access hinged door
- Multiple trade size KO provided. J-Box is suitable for up to 12AWG wiring
- Fixture is less than 2" high for use in shallow plenum or low ceiling spaces
- Surface kit is available

### Electrical

- 120-277V electronic driver, Class B
- Standard 0-10V dimming to 10%
- 0-10V dimming uses low-voltage grey and purple wire leads

### LED and Light Engine

- 3000K/3500K/4000K CCT at minimum 80 CRI
- Three lumen options: Low (3100), Medium (4500) and High (6200) nominal output
- L70 at 60,000 rated life-hours (TM-21), or up to 27 years at 6 hrs/day.
- LED modules comply with IESNA LM-79 and LM-80 standards

### Optical Shielding

- White frost smooth pattern for uniform illumination
- Scratch and impact resistant lens
- Light guide with specialized features to optimize light output

### Compliance and Certifications

- cULus listed for damp location in 25°C ambient environments
- IC rated for direct insulation contact
- RoHS compliant
- DesignLights Consortium Qualified, refer to [www.designlights.org](http://www.designlights.org) for details

### Product Warranty

- 5-year warranty

### Shipping Data

UPC	Unit Weight	Pallet Qty
080083889488	22	17