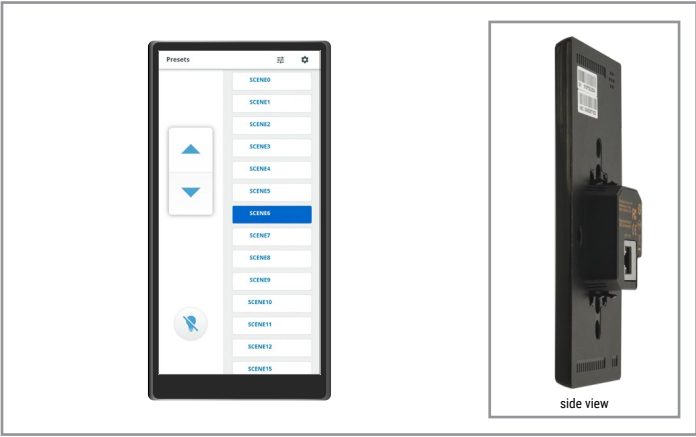


Project		Catalog #		Type	
Prepared by		Notes		Date	



WaveLinx

Touchscreen (TSE57)




Provides an elegant and discreet light control for spaces controlled by the WaveLinx Area Controller

Typical Applications
Office • Education • Healthcare • Hospitality • Retail

Interactive Menu

- Order Information page 2
- Additional Resources page 3
- Wiring Diagrams page 3
- Connected Systems page 4
- Product Warranty

Product Certification

- Meets latest ASHRAE Standard 90.1 requirements
- Meets latest IECC requirements
- Meets latest CEC Title 24 requirements

Product Features








Compatibility




Overview

The WaveLinx TSE57 touchscreen provides an elegant and discreet light control for any WaveLinx controlled space. The portrait-oriented 5.7" [14.5cm] touchscreen features a low-profile design with edge to edge glass and an extremely responsive display making it a great architectural addition to conference rooms, executive offices and open spaces.

Product Features & Benefits

- **Light control** – Control the lights for a room/open space by allowing users to recall the light scenes/presets defined for the area and to raise/lower the light level for the entire area or the zones defined within an area.
- **Architectural design** – Low profile design with edge to edge glass and high resolution display making the touchscreen look amazing on any wall. The touchscreen’s user interface has been designed to ensure that users can immediately understand how to operate the touchscreen.
- **Easy installation** – The touchscreen easily mounts in a single gang switch box (minimum 1.4" / 35mm depth required) and is powered via PoE (IEEE 802.3af). Once powered, all the installer has to do, is select the WaveLinx Area Controller (WAC) discovered on the network and one of the user defined areas. All the information with regards to the scene names, zone names is automatically imported from the WaveLinx Area Controller .

Order Information

The touchscreen is an accessory to the WaveLinx connected lighting (WCL) system and requires a WaveLinx Area Controller (WAC) for full functionality.

Catalog Number

Catalog Number	Description
TSE57- WLX-B	5.7" Touchscreen for Wavelinx

Required Accessories

All WaveLinx connected lighting (WCL) system accessories require at least one WaveLinx Area Controller (WAC2) for communications. Ensure the bill of material includes one of the following components.

Catalog Number

Catalog Number	Description
WAC2-POE	WaveLinx Area Controller G2, PoE powered
WAC2-120	WaveLinx Area Controller G2 with 120VAC to PoE Injector

Product Specifications

Mechanical

Size: 5.0" x 2.9" x 0.3" (128 x 75 x 8mm) 0.6" (15mm) depth inside wall box

Environment:

- **Operating temperature:** 32°F to 104°F (0°C to 40°C)
- **Storage temperature:** 4°F to 158°F (-20°C to 70°C)
- **Relative humidity:** 0 - 90% non-condensing
- For indoor use only

Mounting: North America: single-gang switchbox (Arlington LV1)
Europe: single-gang Ø 65mm outlet switchbox (IEC/EN 60670)
UK: single gang electrical box BS 4662, BSEN 60670
Do not mount on metal surface

Mounting Height: 48"- 58" (121cm-147cm) above finished floor

Color: Black trim

Housing: High glass plastic

Electrical

Input Power:

- PoE (IEEE 802.3af)
- 4W (typical) / 8W (max)

Display:

- High performance 5.77" LCD
- High definition resolution (1440 x 720)
- Projected Capacitive Touch supporting multi-touch and gesture

Network:

- Gigabit Ethernet controller
- RJ-45 Ethernet port connectivity

System Performance

Capacity: Up to 16 per WAC

Standards/Ratings*

- cULus Listed - Energy Management Equipment (UL916)
- FCC Title 47, Part 15 Class B
- CE
- Meets latest ASHRAE Standard 90.1 requirements
- Meets latest IECC requirements
- Meets latest CEC Title 24 requirements

Environmental Regulations:

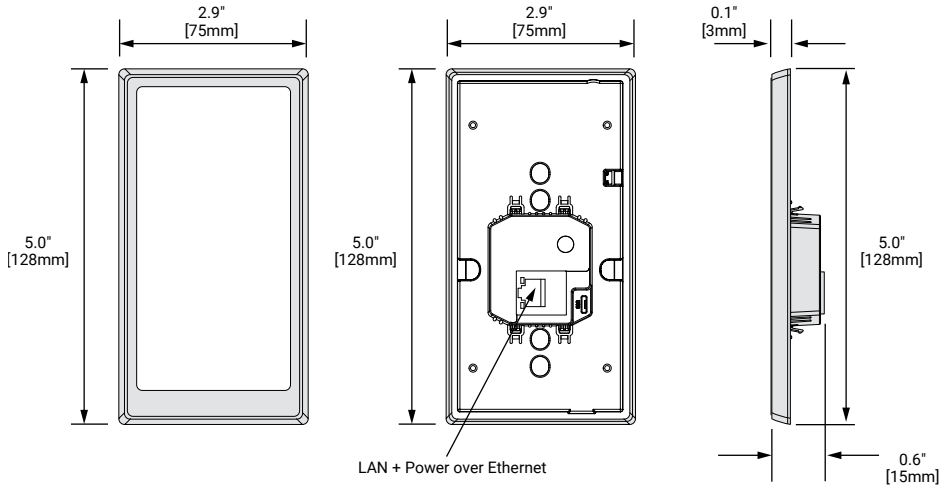
- RoHS Directive 2011/65/EU
- WEEE Directive 2012/19/EU

Warranty

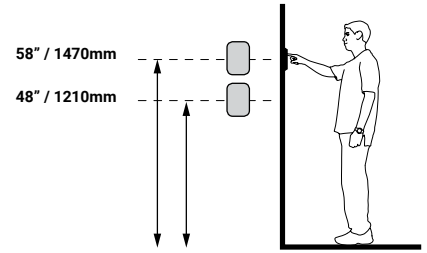
Five year warranty standard

*T24 and RoHS are self-tested by Cooper Lighting Solutions. Not a third party certification.

Dimensional Details



Mounting Height



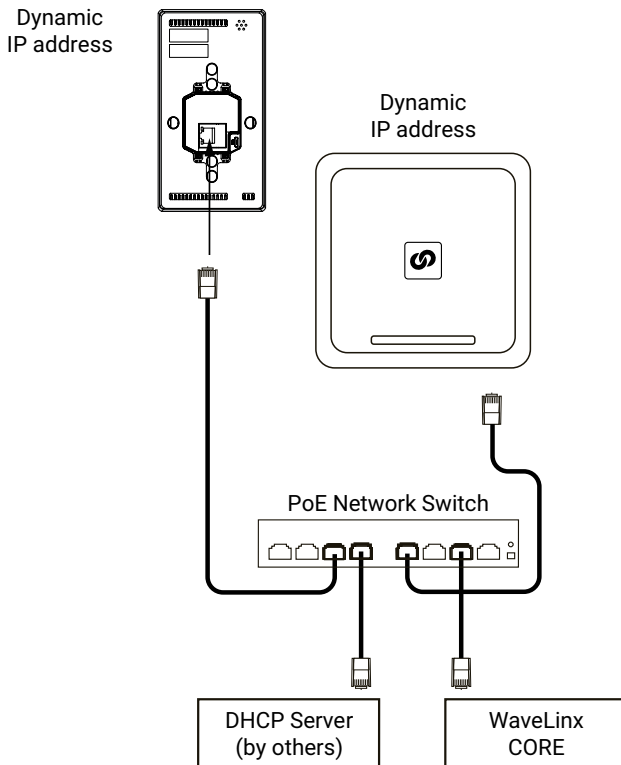
Installation

- Connect the Touchscreen to a POE network switch via an ethernet (CAT5 or higher) cable using the RJ45 port on the rear of the touchscreen
- The Touchscreen flush mounts in a portrait orientation to a single-gang switch box
- Do not mount on metal surface
- Use the Settings menu (PIN protected) on the Touchscreen for setup, i.e. associate it to a WaveLinx Area Controller and select one of the areas configured on the selected WaveLinx Area Controller

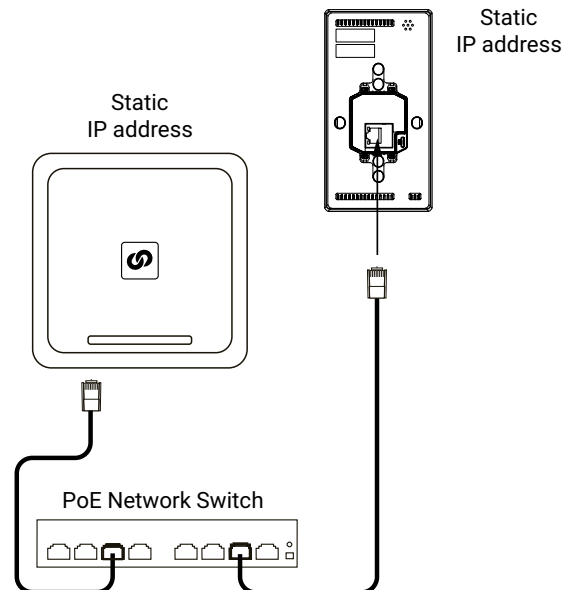
For more information, please refer to the WaveLinx Touchscreen Installation Guide.

Wiring Diagrams

Network Installation



Stand Alone Installation



System Diagram:

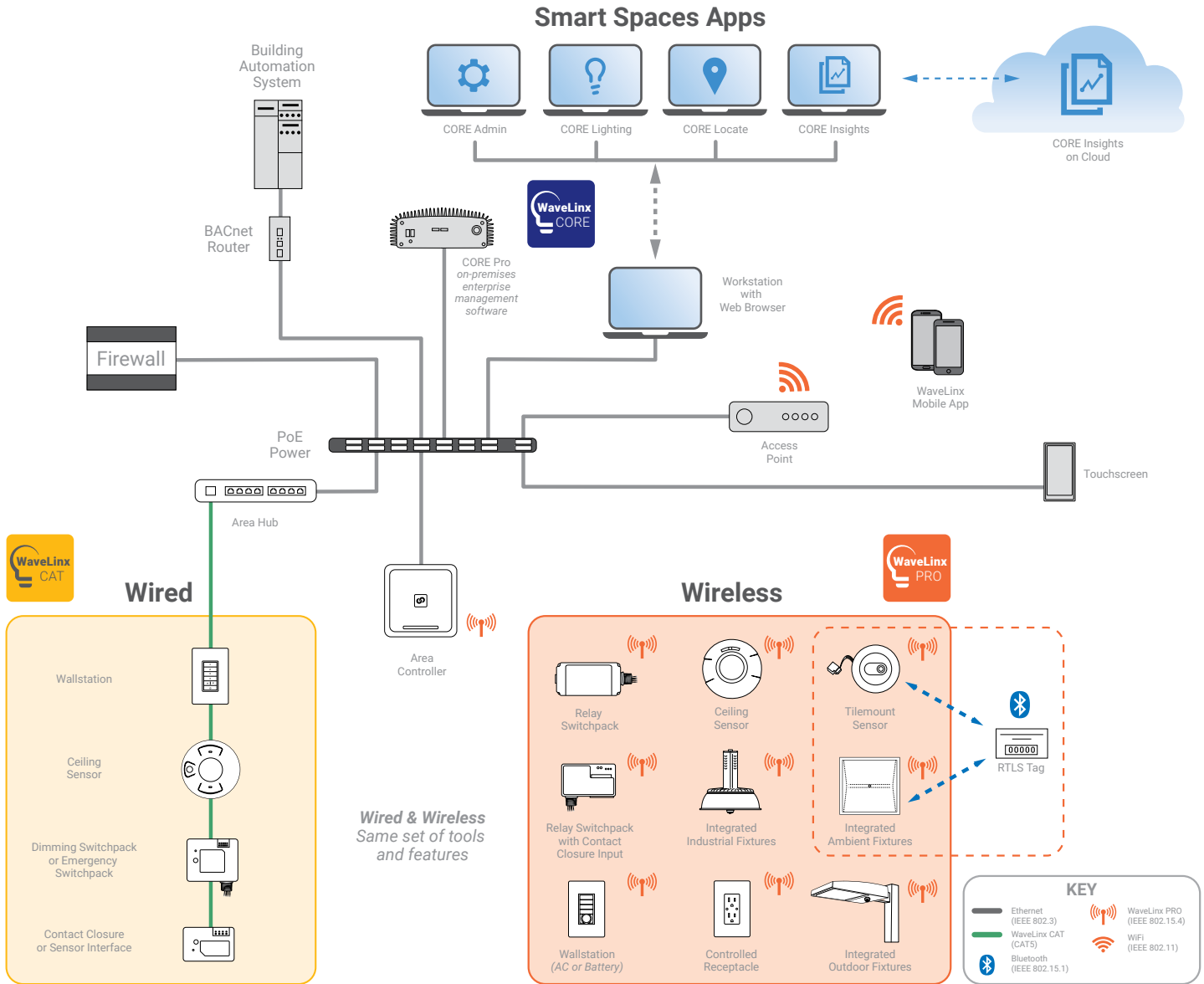
This diagram shows the main components of the WaveLinx connected lighting system with CAT and PRO devices.

The PRO devices communicate using wireless mesh technology based on the IEEE 802.15.4 standard. A PoE LAN connection for each WaveLinx Area Controller (WAC) is required for power and data access to the building lighting network.

The CAT devices communicate over the category 5 based communication bus and control the light fixtures using a relay (on/off) and 0-10V output (dim/raise).

WaveLinx Area Controllers (WAC) communicate with WaveLinx CORE Apps over the Ethernet network.

[View WaveLinx Network and IT Guidance Technical Guide](#)



Control Systems
• WaveLinx