

**Description**

Recessed 4" aperture ultra-shallow housing for use with LED integrated trims. Installs from below the ceiling and suitable for 2x4 residential or shallow plenum commercial construction. Suitable for direct contact with insulation; airtight rating reduces airflow between living spaces and unconditioned areas providing additional energy savings. Use with compatible Halo® LED integrated trims and modules providing general, task and accent lighting when energy savings, long life and optical control are required.

Catalog #		Type
Project		
Comments		Date
Prepared by		

**Specification Features**

**Housing**

- Die formed aluminum housing can be installed from below the ceiling and accommodate ceilings from 3/8" – 3/4" thick.
- Shipped with paint overspray protector installed.

**Mounting Springs**

- Captive preinstalled mounting springs retain housing securely in ceiling.
- Housing can be removed for service or splice inspection.

**Gasket**

- Closed cell gaskets achieve restrictive airflow requirements without additional caulking.

**Junction Box**

- (2) 1/2" trade size pry outs and (2) Slide-N-Side™ wire traps for non-metallic cable.
- Accepts 14/2, 14/3, 12/2, 12/3 (US) and 14/2, 14/3, 12/2 (Canada) standard non-metallic sheathed cable.
- Maximum of (6) #12 or (8) #14 conductors rated for 90° C permitted in box (10in3 internal volume).
- Wago® push wire connectors for field connections.

**Connector**

- Two-conductor wire mount connector is rated for 120 - 277V and mates with Halo® LT4, RL4, RA4 and ML4 family of LED integrated trims.
- CAUTION – verify LED module input voltage is compatible with the input voltage of the housing.
- If uncertain, consult a qualified electrician.

**Code Compliance**

- Type IC inherently protected, suitable for direct contact to air permeable insulation and cULus listed for damp locations.
- Not for use in direct contact with spray foam insulation, consult NEMA LSD57-2013.
- Wet location listed in covered ceilings and IP56 certified with select lens trims.
- Airtight per ASTM-E283.
- Can be used for State of California Title 24 high efficacy luminaire compliance with designated integrated LED trims.
- Suitable for use in clothes closets when installed in accordance with the NEC 410.16 spacing requirements.

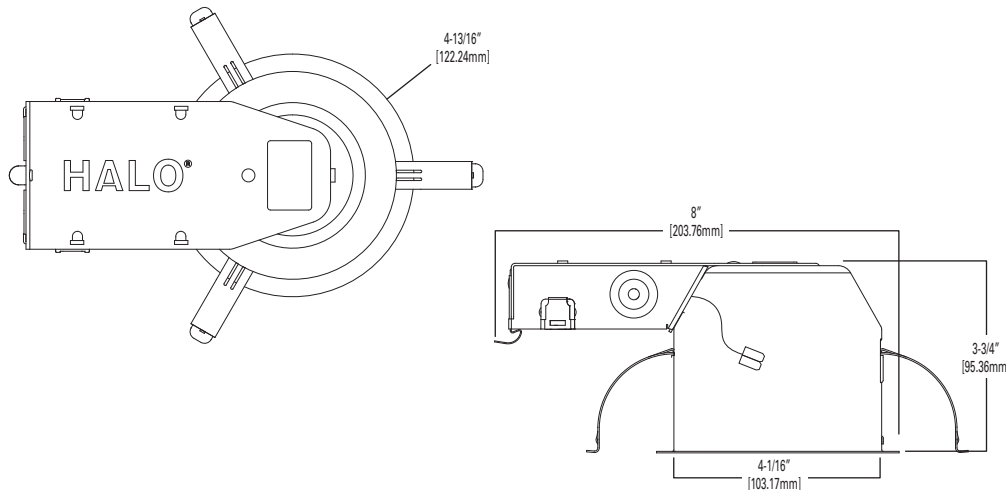


**H245RICAT**

**4" Ultra-Shallow Recessed Remodeler Housing**

**LED Integrated Trims 15W Maximum**

**Dimensions**



**Ordering Information**

A complete luminaire consists of a housing, LED module and trim, order separately.

Housing	Trims	Accessories
<b>H245RICAT</b> = 4" ultra-shallow remodeler housing for LED integrated trims	LT4 Family RA4 Family RL4 Family ML4 Family	<b>H4NCMF</b> =4" new construction mounting frame