

## Installation Instructions for the Sure-Lites Lites SELA Architectural Emergency Light with Self Diagnostics

### **WARNING**

#### **Risk of Fire/Electric Shock**

If not qualified, consult an electrician.

### **WARNING**

#### **Risk of Electric Shock**

Disconnect power at fuse or circuit breaker before installing or servicing.

### Important Safeguards

WHEN USING ELECTRICAL EQUIPMENT, BASIC SAFETY PRECAUTIONS SHOULD ALWAYS BE OBSERVED INCLUDING THE FOLLOWING.

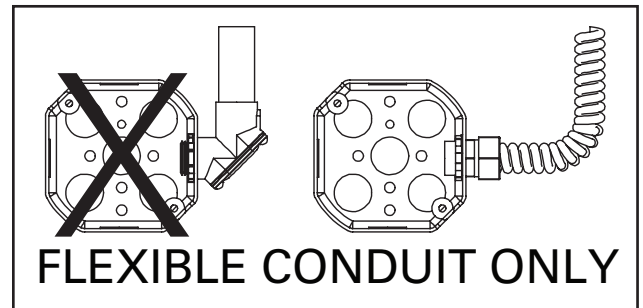
1. READ AND FOLLOW ALL SAFETY INSTRUCTIONS
  2. Do not use outdoors.
  3. Do not use in hazardous locations, or near gas or electric heaters.
  4. Do not let power supply cords touch hot surfaces.
  5. Use caution when servicing batteries. Battery acid can cause burns to skin and eyes. If acid is spilled on skin or in eyes, flush acid with fresh water and contact a physician immediately.
  6. Do not use this equipment for other than the intended use.
  7. Installation is to be performed only by qualified personnel.
  8. Install in accordance with National Electric Code and local regulatory agency requirements.
  9. The use of accessory equipment not recommended by the manufacturer may cause an unsafe condition.
  10. Equipment should be mounted in locations and at heights where it will not readily be subjected to tampering by unauthorized personnel.
  11. SAVE THESE INSTRUCTIONS
- MAX MOUNTING HEIGHT: 17 ft.

### INSTALLATION

1. De-energize the circuit to which the fixture will be connected.
2. Remove fixture assembly from back box provided. (See Fig. 1).
3. Plan how wiring will be extended to the fixture. Knock out the appropriate conduit KO and extend wiring to the fixture.
4. If bar hanger installation is desired, proceed to step 6.
5. If installation without bar hangers is desired, remove the bar hangers by removing the four 6-32 screws holding

the bar hanger brackets in place. The back box can now be screwed or nailed directly to a stud or other suitable surface. Proceed to step 8.

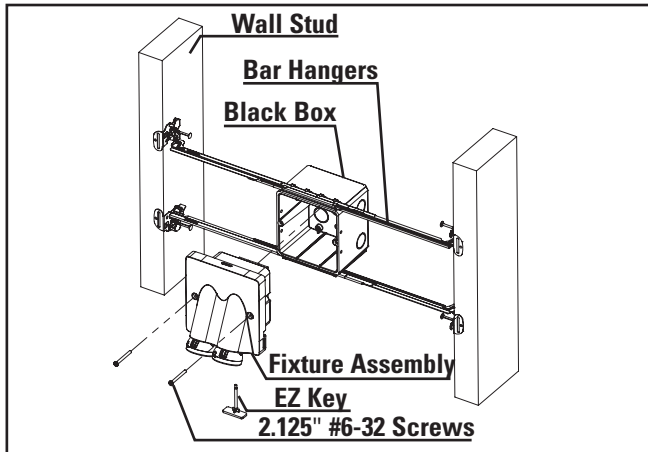
6. Bar hangers for this fixture are of interlocking design to allow positioning of housing along entire length of bars. Position bar hangers to the desired position between the studs. Bar hangers may be shortened to fit 12" framing by breaking at score lines (Hanger bar range is 8-24"). Pass bar hangers through each end until the bars overlap, then break off at score lines (no tools required and bar hangers do not need to be removed from bracket). (See Fig. 2) Secure hanger bars with nails or screws into studs.
7. Adjust position of back box on bar hangers as needed. To secure back box in position, crimp tabs on bracket over bar hangers.
8. Retrieve fixture assembly.



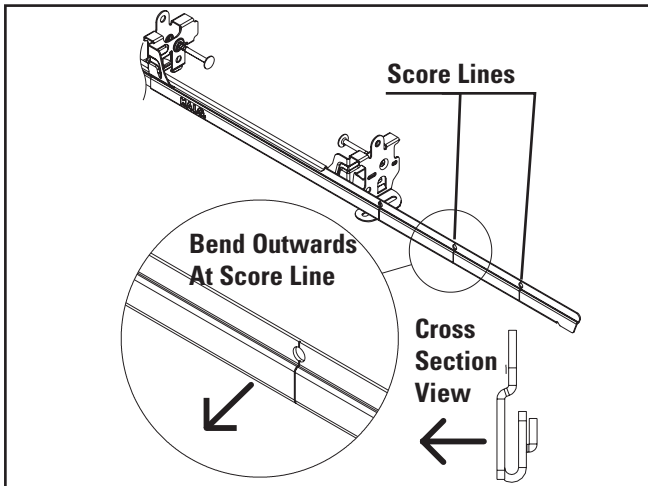
9. Connect power supply and ground in accordance with local codes. Connect the incoming wires to the fixture's power supply wires using the wire nuts provided. Connect the white wire to neutral. Connect 277VAC line to Orange lead or 120V line to Black lead, cap the unused lead. (See Schematic).
10. Place the fixture assembly and wiring in the back box, and secure to the fixture using long 6-32 screws. (See Fig. 1).
11. Remove the EZ Key. Lamps will light. Adjust the heads as needed.
12. Energize AC supply. The test button should illuminate and LED heads will illuminate briefly when the test button is pushed or laser test is engaged.
13. Replace the EZ Key if the fixture will be de-energized for a prolonged period of time.
14. Snap on the decorative cover, if desired (See Fig. 3). Decorative cover is sold separately.

# Installation Instructions for the Sure-Lites SELA Architectural Emergency Light with Self Diagnostics

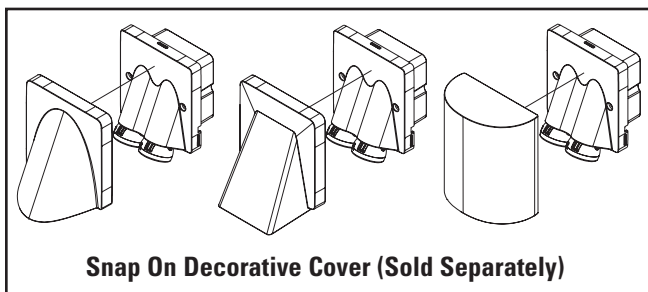
**Figure 1**



**Figure 2**



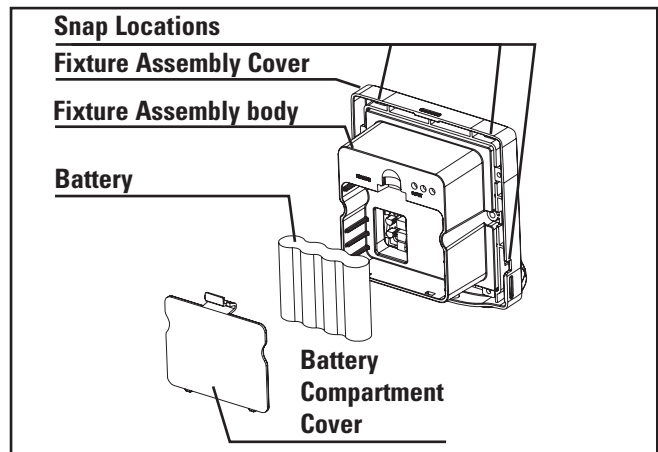
**Figure 3**



## ACTIVATING TIME DELAY

The SELA series has an integrated time delay circuit that allows them to remain in emergency mode 15 minutes after power is restored. To activate the time delay, open the fixture by unsnapping the fixture assembly cover from the fixture assembly body (see Fig. 4) and then remove the jumper on the circuit board labeled TDI/J1 (see Figure 5).

**Figure 4**



## OPERATION

The Sure-Lites Self Diagnostics circuitry is continuously monitoring your emergency fixture, and will signal any failure through the 3 color indicator LED.

### Initial Operation

When the unit is first powered up, it will go into a 24 hour fast charge, indicated by the indicator LED pulsing green. Once the unit has fully charged, it will perform a self-calibration, after which the LED will change to steady green, indicating the unit is fully charged and float charging the battery to maintain readiness.

### Automatic Testing

The unit will perform a battery capacity, lamp/LED, and charge circuit test every 30 days for 30 seconds. During this time, the indicator LED will change to a steady yellow. It will perform a full battery capacity (90 minute) test once per year. During this time, the indicator LED will change to a blinking yellow.

### Manual Testing

- 10 Second "Installation" test – Press and release the test button once during fast charge (blinking green) to initiate a 10 second quick test. The sign will switch to emergency mode for 10 seconds allowing the installer to verify proper installation of the unit, and the LED indicator will turn solid yellow.

- 30 Second Test -Press and release the test button once during float charge (steady green). The indicator LED will turn steady yellow to indicate the unit is performing a 30 second test of the batteries and lamps/LEDs.

- 90 Minute Test -Press and release the test button a second time during a 30 second test (steady yellow) to change to a 90 minute test. During this test, the LED indicator will change to blinking yellow, and the circuit will perform a full battery capacity, charge circuit, and LED test.

- Canceling Test – Press and release the test button during the 90 minute test (flashing yellow) to return the fixture to its original state (fast charge or float charge).

### Laser Testing

The SELA is equipped with a Laser Test function, that allows the unit to be manually tested without the need to physically press the test button. Shining a laser pointer in the hole marked "LASER TEST" on the bottom of the unit has the same effect as a press and release of the test button.

# Installation Instructions for the Sure-Lites SELA Architectural Emergency Light with Self Diagnostics

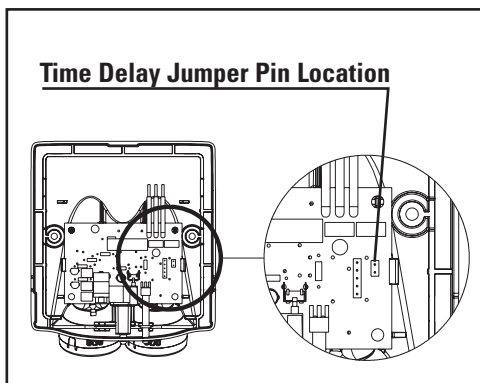
## Clearing Failure Code

- A battery failure (LED two blink red) can be cleared by replacing the battery. Disconnecting the battery and AC power or performing a full 90 minute discharge will also reset the error code. However, the error code will return if the battery is faulty.
- Charge Circuit (LED three blink red) and lamp/LED failure (LED four blink red) will clear when the unit successfully passes a manual or automatic 30 second test.

## Indicators

- LED Off - No power to unit or in emergency mode.
- LED Steady Green - Unit is fully charged and is float charging the battery to maintain readiness.
- LED Green Pulse - Unit is in a 24 hour fast charge of the battery.
- LED Two Blink Red - Battery has failed a capacity test or the battery is disconnected. See "Clearing Failure Codes" above.
- LED Three Blink Red - Battery charge circuit has failed. See "Clearing Failure Codes" above.
- LED Four Blink Red - Lamps have burned out, or on an EXIT/ Combo, 50% or more of the LEDs have failed. See "Clearing Failure Codes" above.
- LED Steady Yellow - 30 second test or 10 second quick test (Fast Charge only).
- LED Blinking Yellow - 90 minute test.

Figure 5



SURE-LITES SELF DIAGNOSTICS	
○ OFF - EMERGENCY MODE / POWER OFF	● STEADY BLINK YELLOW - 90 MINUTE TEST
● STEADY BLINK GREEN - FAST CHARGE	●● 2 BLINK RED - BATTERY FAILURE
● STEADY GREEN - FULL / FLOAT CHARGE	●●● 3 BLINK RED - CHARGE CIRCUIT FAILURE
● STEADY YELLOW - QUICK TEST	●●●● 4 BLINK RED - LAMP / LED FAILURE

## MAINTENANCE

None required. Replace the batteries as needed according to ambient conditions. However, we recommend that the equipment be tested regularly in accordance with local codes.

**NOTE:** Servicing of any parts should be performed by qualified personnel. Only use replacement parts supplied by Cooper Lighting Solutions.

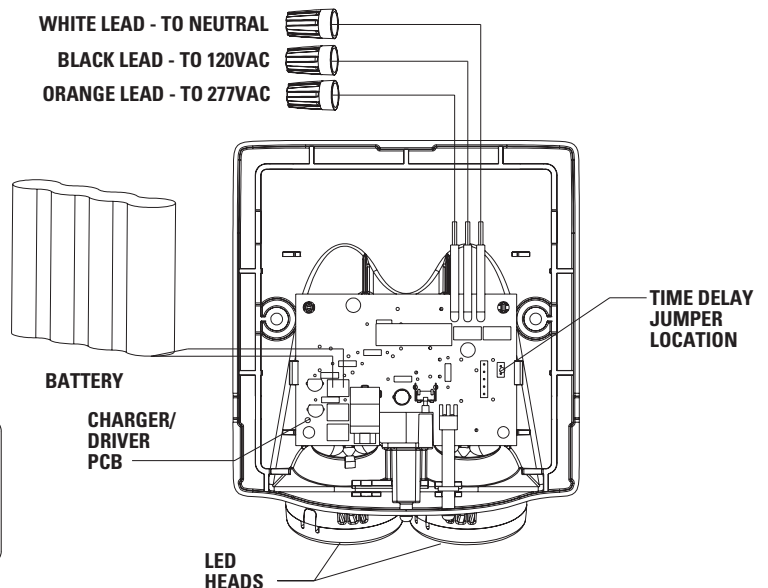
**CAUTION:** This equipment is furnished with a sophisticated low voltage battery dropout circuit to protect the battery from over discharge after its useful output has been used. Allow 24 hours recharge time after installation or power failure for 90 minute testing.

## TROUBLE SHOOTING GUIDE

If LED heads or charge indicator LED does not illuminate, check the following:

1. Check AC supply – verify that unit has 24 hour AC supply.
2. Unit is shorted or battery is not connected.
3. Battery discharged. Permit unit to charge for 24 hours and then re-test.
4. If following the above trouble shooting hints does not solve your problem, contact your local Cooper Lighting Solutions representative for assistance.

## SCHEMATIC



## Warranties and Limitation of Liability

Please refer to [www.cooperlighting.com](http://www.cooperlighting.com) for our terms and conditions.

Cooper Lighting Solutions is a registered trademark. All trademarks are property of their respective owners.

Cooper Lighting Solutions es una marca comercial registrada. Todas las marcas comerciales son propiedad de sus respectivos propietarios.



**Cooper Lighting Solutions**  
1121 Highway 74 South  
Peachtree City, GA 30269  
P:770-486-4800  
[www.cooperlighting.com](http://www.cooperlighting.com)

© 2020 Cooper Lighting Solutions  
All Rights Reserved  
Printed in USA  
Impreso en los EE. UU.  
Publication No. IB505063EN