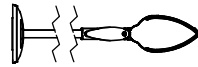




BASE MOUNT



WALL MOUNT



CANTILEVER MOUNT



CEILING MOUNT

These installation instructions are valid with the above Arrowlinear mounting options.

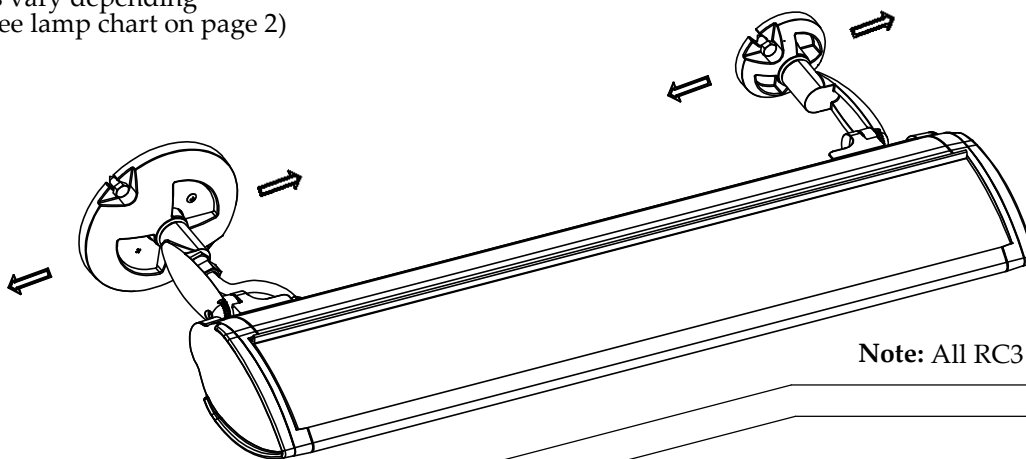
## ARROWLINEAR INDOOR

AK: BASE, WALL,  
CANTILEVER, CEILING

**Warning:** Before starting any work ensure that all sources of power are turned off. All work must meet local/national codes and be performed by a certified electrician. **Do not** mount fixtures vertically. Indoor fixtures cannot be used for outdoor applications.

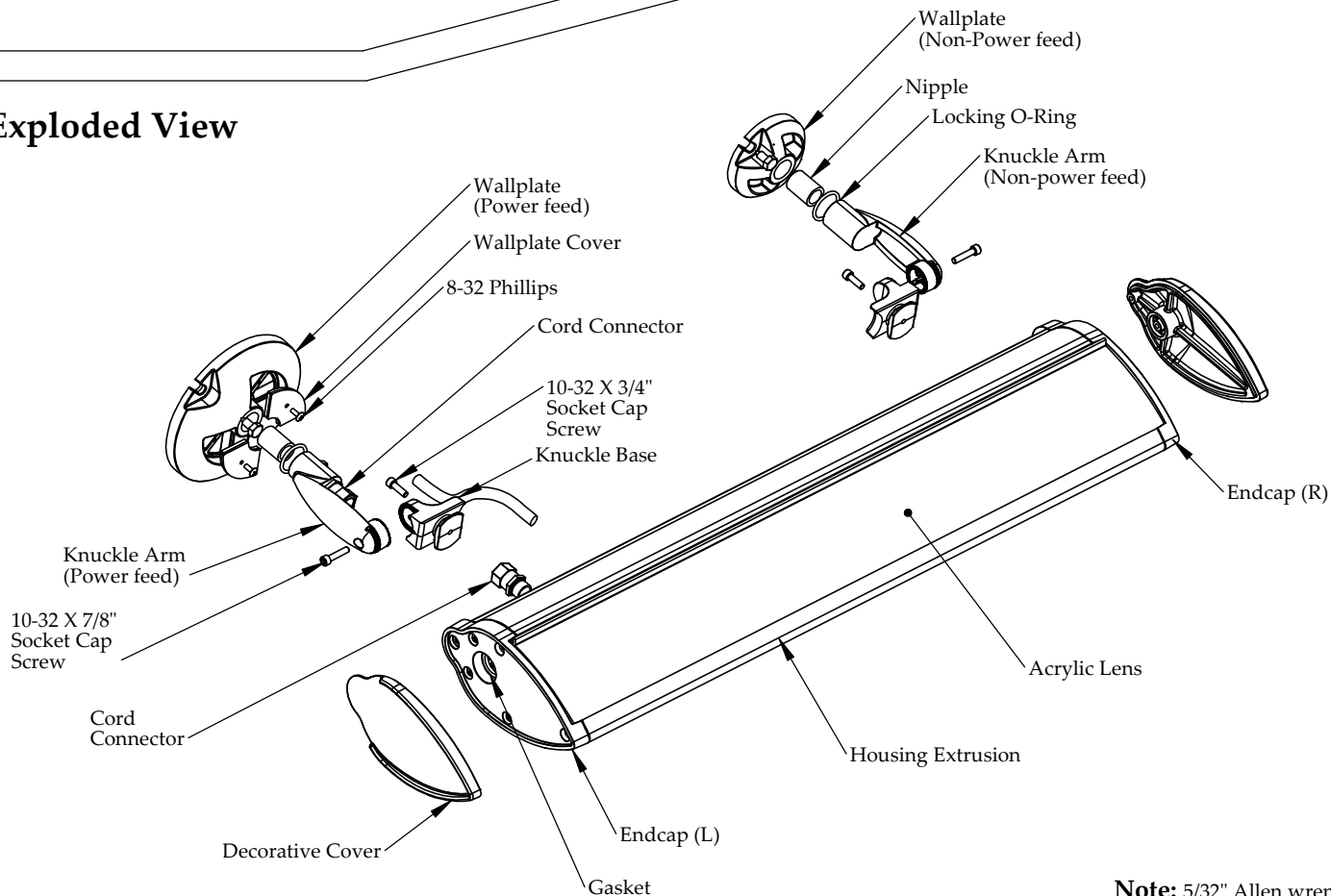
### Complete Fixture Assembly

(Fixture lengths vary depending on lamp type; see lamp chart on page 2)

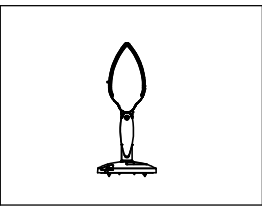


**Note:** All RC3 mounting is field adjustable

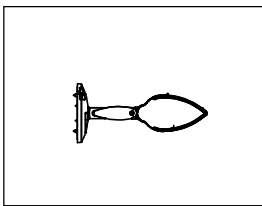
### Exploded View



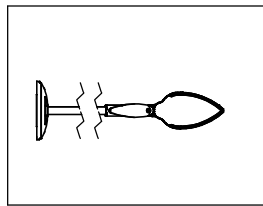
**Note:** 5/32" Allen wrench and Phillips screw driver are required (supplied by others).



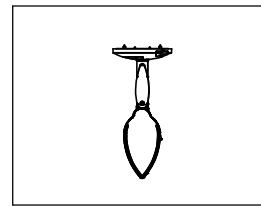
BASE MOUNT



WALL MOUNT



CANTILEVER MOUNT



CEILING MOUNT

These installation instructions are valid with the above Arrowlinear mounting options.

## ARROWLINEAR INDOOR AK: BASE, WALL, CANTILEVER, CEILING,

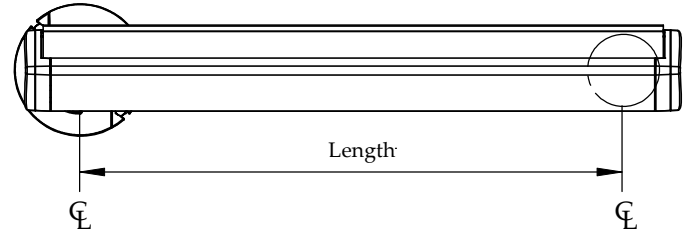
**Warning:** Before starting any work ensure that all sources of power are turned off. All work must meet local/national codes and be performed by a certified electrician. **Do not** mount fixtures vertically. Indoor fixtures cannot be used for outdoor applications.

### Lamp Chart

Available Lengths	Available Wattages	Available Lamp Types	Mounting plate centers in(mm)
1FT	12W	(LED)	CENTER
2FT	22W	(LED)	22 - 13/16IN (580mm)
2FT	14W	(T5)	
2FT	17W	(T8)	
2FT	24W	(T5 HO)	
3FT	33W	(LED)	34 - 5/8IN (880mm)
3FT	21W	(T5)	
3FT	25W	(T8)	
3FT	39W	(T5 HO)	
4FT	44W	(LED)	46 - 7/16IN (1180mm)
4FT	28W	(T5)	
4FT	32W	(T8)	
4FT	54W	(T5 HO)	
6FT	2 X 33W	(LED)	72 - 29/32IN (1852mm)
6FT	2 X 21W	(T5)	
6FT	2 X 25W	(T8)	
6FT	2 X 39W	(T5 HO)	
8FT	2 X 44W	(LED)	96 - 17/32IN (2452mm)
8FT	2 X 28W	(T5)	
8FT	2 X 32W	(T8)	
8FT	2 X 54W	(T5 HO)	
12FT	3 X 28W	(LED)	46 - 27/64IN (3719mm) MIDDLE ARM 73 - 7/32IN (1860mm)
12FT	3 X 28W	(T5)	
12FT	3 X 32W	(T8)	
12FT	3 X 54W	(T5 HO)	

Note: 12FT fixtures do require a middle arm. (See lamp chart)

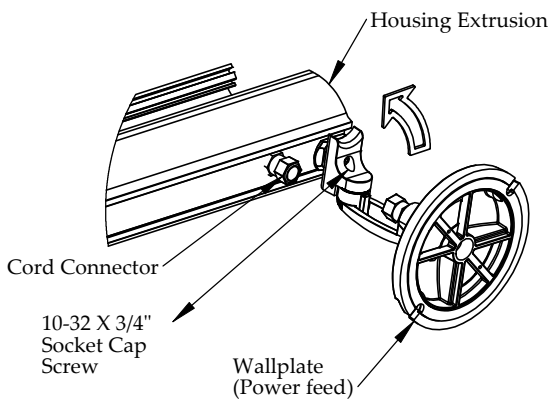
### Mounting the Fixture Brackets



#### Prior to Roughing in J-Boxes:

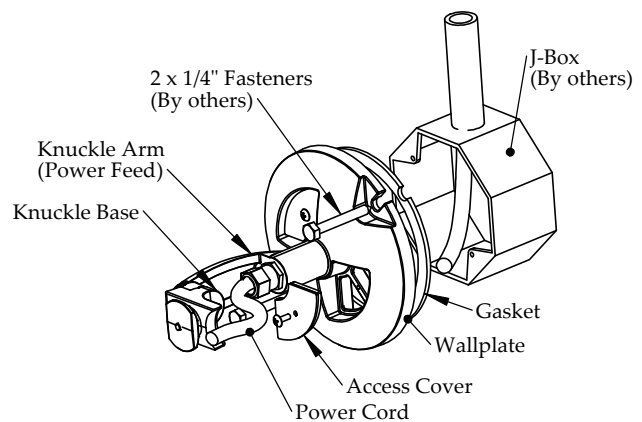
1. Determine the location of fixture mounting and verify structure will support the weight of the fixtures. If necessary, use additional bracing to support fixture.
2. Using mounting plate centers provided in lamp chart, attach mounting arms to fixture assembly (ref. figure 1).
3. Install J-Boxes (by others) (ref. figure 2).

#### 1. Mounting Arm to Fixture Assembly



1. Attach arm and knuckle to the wallplate using the 1" nipple and o-ring (be careful not to over compress the o-ring).
2. Once the wallplate arm assembly (Power Feed or Non Power) is assembled, place the Knuckle base horizontally into extrusion track located on back of the fixture.
3. Rotate the complete wallplate arm Power Feed assembly counter-clockwise 90°; and the Non-Power assembly clockwise 90°.
4. Adjust Mounting Arms horizontally to match the desired mounting location and tighten the 10-32 X 3/4" Socket Cap screw; use lamp chart for recommended standard spacing.

#### 2. Mounting Power-Side Assembly



**Note:** Fixture not shown for clarity.

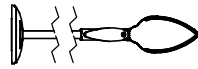
1. Once the mounting arms have been completely assembled, using appropriate 1/4" fasteners (by others), secure mounting plate over the J-box. If necessary, use additional bracing to support Fixture.
2. Use the access cover to allow you to wire the fixture power to the main power inside the J-box, making sure to re-attach the access cover when finished.



BASE MOUNT



WALL MOUNT



CANTILEVER MOUNT



CEILING MOUNT

These installation instructions are valid with the above Arrowlinear mounting options.

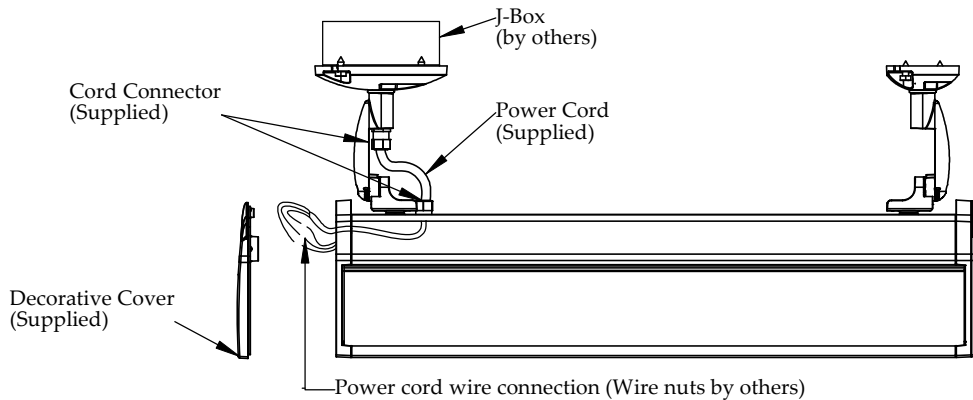
## ARROWLINEAR INDOOR

AK: BASE, WALL, CANTILEVER, CEILING,

**Warning:** Before starting any work ensure that all sources of power are turned off. All work must meet local/national codes and be performed by a certified electrician. **Do not** mount fixtures vertically. Indoor fixtures cannot be used for outdoor applications.

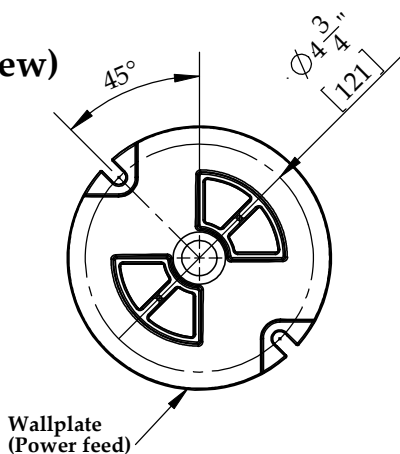
### Power Feed

1. Wire the power cord (supplied) to the inside of the fixture by running the power cord through the endcap and out the back through the cord connector.
2. Attach all wires and ensure all connections are properly matched. Hide wires inside the fixture and attach Decorative Cover using 10-32 X 1/2" Socket Cap screw.

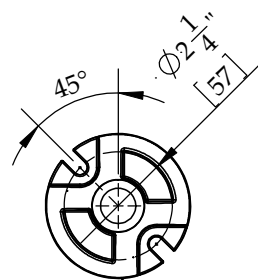


### Mounting Plate Dimensions: in [mm]

#### (Front View)

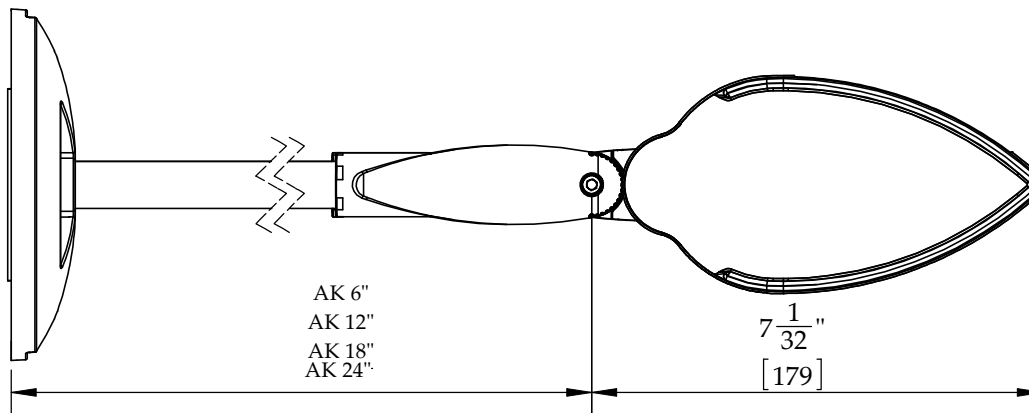


Wallplate (Power feed)



Wallplate (Non-Power feed)

#### (Side View)



**Note:** Arrowlinear Wallplates are designed to accommodate 1/4" mounting hardware (by others) Hardware must meet Local / National codes and installation must be provided by a licensed contractor.