

# STREETWORKS

## ARCHEON SERIES

### Page Selection

- 2 Features & Benefits
- 4 LED roadway lighting. We've got this covered.
- 5 Telensa - Making Brighter Cities
- 6 Performance and scalability
- 6 Dimensions
- 7 Technical specifications
- 7 Finish selection

 **COOPER**  
Lighting Solutions  
a @ignify business



SCAN FOR MORE

## Discrete LED solution. Energy conscious illumination.

The Archeon LED roadway luminaire delivers all the performance benefits of the latest Cooper Lighting Solutions LED platforms and technologies with a modern, yet familiar cobrahead form factor. This discrete LED solution with the patented, high-efficiency AccuLED Optics system provides uniform and energy conscious illumination for municipal streets and highways. Our customer focused features include a single latch for tool-less entry to serviceable components, industry leading surge protection options, superior lumen maintenance and performance, all in an economical architectural design.

### Key features and benefits

- High performance, discrete LED solution delivers over 178 lumens per watt
- Multiple optical distributions across the three luminaires that are precisely designed to shape the distribution, maximizing efficiency and fixture spacing
- Multiple lumen packages ranging from 3,000 - 37,000 delivered lumens
- Various CCT options available with minimum 70 CRI, 80 CRI and Amber
- Optional 3 or 7-PIN NEMA twistlock photocontrol receptacle (ANSI-C136.41) for control capability
- Tool-less access for ease of installation and maintenance



**Archeon Nano**  
(Typical <100W HID replacement)



**Archeon Small - PA1**  
(Typical <200W HID replacement)



**Archeon Small - PA2**  
(Typical <250W HID replacement)



**Archeon Medium**  
(Up to 400W HID replacement)



**Archeon Large**  
(Up to 1000W HID replacement)



## LED roadway lighting. We've got this covered.

Cooper Lighting Solutions' Archeon family of LED roadway luminaires light the way to sustainable and economic solutions for a wide range of outdoor lighting applications.

### Superior, affordable performance

Whether on an urban street, a rural or residential road or a highway, the Archeon LED roadway luminaires get the job done. High performance, long life, low maintenance and low cost are critical factors for any roadway lighting application. The Archeon family is ideal for retrofit and new construction projects, and it can be tailored to meet your specific needs without compromising on important features.

### Long term reliability and maintenance

From local to major roadways, the Archeon luminaries are designed for easy install, superior performance, and long term energy and maintenance savings. Tool-less entry and quick disconnects allow for stress-free installation and maintenance. The optical assemblies are IP66 rated to protect and ensure continued performance from the LED light source. The heavy-duty die-cast aluminum housing is designed to operate in high ambient temperatures while still providing superior lumen maintenance over the life of the luminaire. Input operating voltage options include 120-277V 50/60Hz, 347V 60Hz and 480V 60Hz. The optional 10kV/10kA surge protector provides state of the art protection against voltage spikes, while the super TGIC polyester powder coat finish provides years of durability.

### Real world features

The Archeon family of luminaries is designed to meet the challenging demands of roadway applications. The luminaires are available with numerous surge protection and control options. Both 3- and 7-PIN NEMA twistlock receptacles are available to accommodate additional control. The luminaires are also designed for multiple mounting options including standard pole, optional arm, and offset adjustable arm mounting.



## Telensa Making Brighter Cities

The smart choice for street and area lighting

Telensa provides simple, effective smart street lights and area lighting solutions to empower cities, utilities, and large establishments to manage their lighting assets to reduce costs while cutting carbon emissions. Telensa supports organizations as they strive for more sustainable, livable, and safer neighborhoods for all.

### Telensa features and benefits

- One-trip installation
- Flexible software integration
- Streamlined design
- State-of-the-art security features
- Available in several LED luminaire packages
- Flexible backhaul options



Telensa  
reduces project  
installation time by  
up to  
**30%**

## Public Lighting Active Network



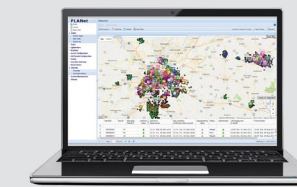
LED  
light fixtures



Telecell



Base Station  
(Long range radio)



Central System

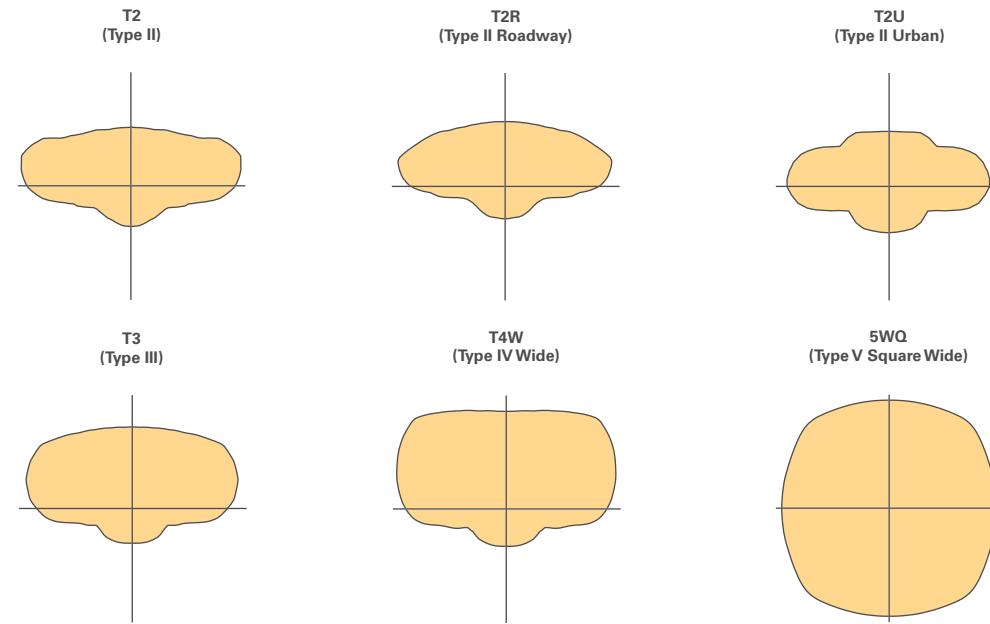


**Telensa**

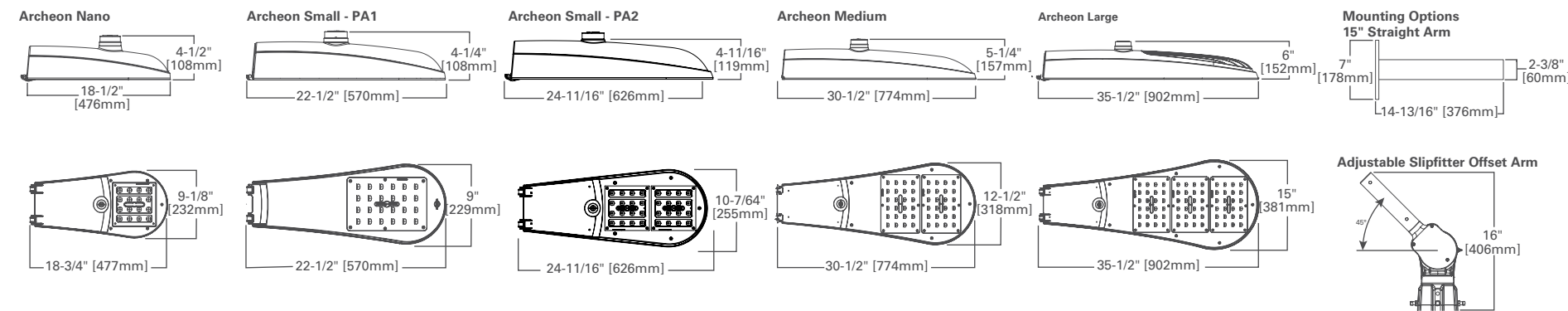
# Performance and scalability

## Optical performance redefined.

Choice of six patented, high-efficiency AccuLED Optics. Available in Type II, III, IV wide and V square wide the optics are precisely designed to shape the distribution maximizing efficiency and application spacing. Offered in 2700K (70 or 80 CRI), 3000K (70 CRI), 4000K (70 CRI), 5000K (70CRI) CCT options. For the ultimate level of spill light control, an optional house side shield accessory is available and can be field or factory installed. The house side shield is designed to seamlessly integrate with the T2R, T3, and T4W optics. Optics are IP66 enclosure rated.



# Dimensions



# Technical specifications

## Performance

**Distributions:** Type II, III, IV, V

## Lumens

Archeon Nano: 2,000 - 7,800  
 Archeon Small: 3,000 - 17,000  
 Archeon Medium: 5,800 - 23,000  
 Archeon Large: 14,000 - 37,000

**CCT/CRI:** 2700K / 70 CRI, 2700K / 80 CRI 3000K / 70 CRI, 4000K / 70 CRI, 5000K / 70 CRI, Amber (590nm)

**Controls:** 0-10V, occupancy sensor, Enlighted, WaveLinx, 3-PIN or 7-PIN NEMA twistlock photocontrol receptacle

## Energy data

**Power factor:** >0.9  
**Total harmonic distortion:** <20%  
**Minimum temperature:** -40°C  
**Ambient temperature rating:** 40°C / 50°C  
**Operation:** 120-277V 50/60Hz, Optional 347V and 480V

## Additional information

**Warranty:** 5 year (optional 10 year)  
**Vibration tested:** 3G  
**UL/cUL listed:** Wet location  
**IP66 rated:** Yes (optics)  
**ISO 9001:** Certified  
**RoHS:** Compliant

## Approximate net weight:

**Archeon Nano:** 12 lbs. (5.45 kgs.)  
**Archeon Small:** 12 lbs. (5.45 kgs.)  
**Archeon Medium:** 18 lbs. (8.16 kgs.)  
**Archeon Large:** 27 lbs. (12.2 kgs.)

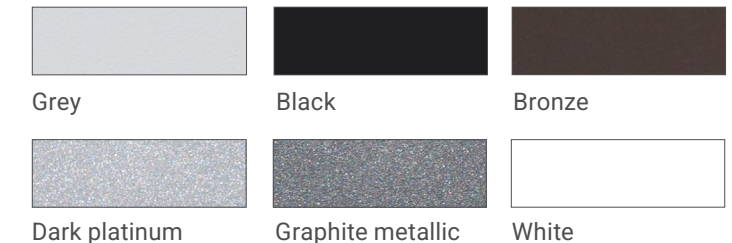
## Effective projected area (EPA) square feet:

**Archeon Nano:** 0.35  
**Archeon Small:** 0.70  
**Archeon Medium:** 0.71  
**Archeon Large:** 0.86



# Finish selection

Five-stage super TGIC paint resists extreme weather conditions, while providing optimal color and gloss retention.



**NOTE:** Colors and textures have been matched as close as possible. Consult your lighting representative at Cooper Lighting Solutions for more information, or visit cooperlighting.com to find the most up to date information.

Product specifications subject to change without notice. Visit cooperlighting.com to find the most up to date information.

Cooper Lighting Solutions utilizes premium ultra-weatherable TGIC based polyester powder coatings that are specifically formulated to withstand extended outdoor exposure. The powders are formulated exclusively for Cooper Lighting Solutions to serve functionally as well as decorative. Good film appearance combined with excellent mechanical and exterior exposure qualities display greater than twice as much gloss retention. Finish is compliant with ASTM B117 3000hr salt spray standard. RAL and custom color finishes available.

### Lighting Product Lines

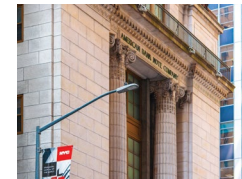
Ametrix  
AtLite  
Corelite  
Ephesus  
Fail-Safe  
Halo  
Halo Commercial  
Invue  
io  
Iris  
Lumark  
Lumière  
McGraw-Edison  
Metalux  
MWS  
Neo-Ray  
Portfolio  
RSA  
Shaper  
Streetworks  
Sure-Lites

### Controls Product Lines

Fifth Light Technology  
Greengate  
iLight (International Only)  
iLumin  
Zero 88

### Connected Lighting Systems

Distributed Low-Voltage Power  
HALO Home  
iLumin Plus  
LumaWatt Pro  
WaveLinx



**Archeon**  
LED roadway luminaire