

DESCRIPTION

High efficiency, low brightness 6-inch aperture wide beam reflector for use with 18W or 26W double twin tube compact fluorescent lamps. The precisely formed non-imaging optical reflector ensures 60° cutoff to lens and lens image and the one piece design eliminates light leaks at the ceiling. Standard features include low iridescent finish on all reflector colors and venting to ensure maximum lamp life and lumen output. Optics offer unparalleled performance in glare free lighting with a smooth beam devoid of hot spots. Open downlight, lens, and open wall wash reflectors are interchangeable within the same housing.

SPECIFICATION FEATURES

Optical Reflector

Clear upper Alzak® reflector for maximum light output. Positive reflector mounting, without tools, pulls trim tight to ceiling. Lower spun parabolic reflector, .050 thick aluminum available in a variety of Alzak® finishes.

Lens

Choice of tempered Fresnel, prismatic, diffuse, or clear glass lenses or molded prismatic acrylic, opal diffuser, or clear UV stabilized acrylic.

Crossblade

Lower spun parabolic reflector with 90° louvers, .050 thick aluminum in a variety of Alzak® finishes.

Mechanical Housing Mounting Frame

One piece precision die cast aluminum 1-1/2" deep collar accommodates varying dimensions of ceiling materials.

Universal Mounting Bracket

Accepts 1/2" EMT, C Channel, T bar fasteners, and bar hangers. Adjusts 5" vertically from above or below ceiling.

Conduit Fittings

Die cast screw tight connectors.

Junction Box

Listed for eight #12AWG (four in, four out) 90°C conductors feed through branch wiring. 1/2" and two 3/4" pry outs. Positioned to allow straight conduit runs. Access to junction box by removing reflector.

Trim Ring Options

Self flanged or molded white trim ring. Rimless trim ring accessory available.

Socket Connector

One piece die cast aluminum connection allows venting for maximum thermal performance.

Catalog #		Type
Project		
Comments		Date
Prepared by		

Rotary Lock Socket

4-pin base with fatigue free stainless steel lamp spring ensures positive lamp retention.

13W Lamp G24q1
18W Lamp G24q2
26W Lamp G24q3

Electronic Ballast with Quick Disconnect

Electronic ballast provides full light output and rated lamp life. Provides flicker free and noise free operation and starting. End of lamp life protection is standard.

Labels

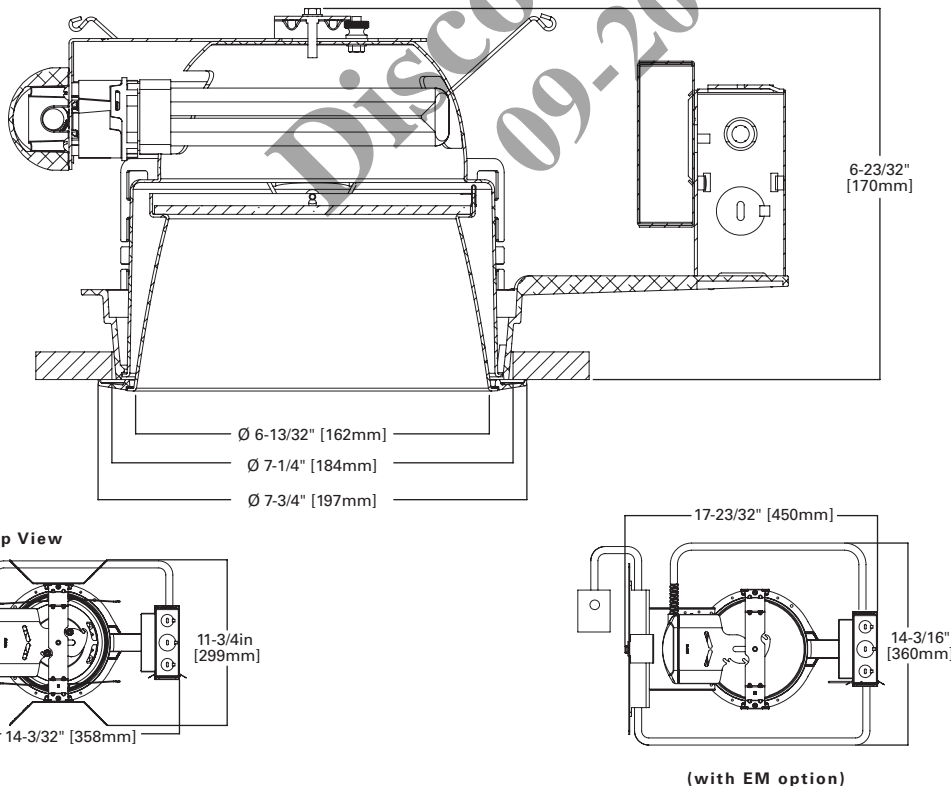
cULus listed, standard wet label. Meets IECC, ASHRAE, and Title 24 commercial standards.



CD6226
CD6218
CD6213
6CLH226

13W, 18W or 26W DTT
Compact Fluorescent

6-Inch Horizontal
Lensed Downlight



ENERGY DATA

(2) 13W DTT	
Ballast: Electronic	
120V Input Watts: 31	Line Amps: 0.26
277V Input Watts: 31	Line Amps: 0.12
(2) 18W DTT	
Ballast: Electronic	
120V Input Watts: 37	Line Amps: 0.32
277V Input Watts: 37	Line Amps: 0.14
(2) 26W TTT	
Ballast: Electronic	
120V Input Watts: 50	Line Amps: 0.45
277V Input Watts: 50	Line Amps: 0.20
Power Factor: >0.99	THD: <10%
Min. Starting Temperature: -18°C (0°F)	
Sound Rating: Class A Standards	

NOTES: Accessories should be ordered separately. For additional options, please consult your Cooper Lighting Solutions Representative. Alzak is a registered trademark of Aluminum Company of America.



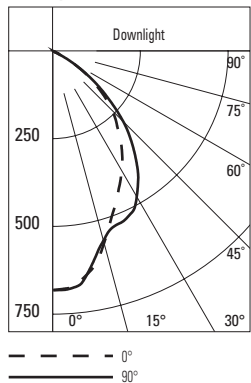
EXAMPLE: CD6218E 6CHL226W1L1

Housing	Ballast	Options	Trims	Finish	Lens	Option	Accessories
<p>CD6226=6" Horizontal 2-Lamp 26W DTT</p> <p>CD6218=6" Horizontal 2-Lamp 18W DTT</p> <p>CD6213=6" Horizontal 2-Lamp 13W DTT</p>	<p>E=120/277V 50/60 Hz Electronic</p> <p>3E=347V Electronic</p> <p>D5LT=120-277V Fifth Light (DALI) Dimming³</p> <p>3D5LT=26W 347V Fifth Light (DALI) Dimming³</p> <p>D26=120-277V Dimming, Lutron EcoSystem/3-Wire Control (Factory Wired for 3-Wire)³</p> <p>DMARKVII=18W or 26W 120-277V Advance MARK 7</p> <p>1DMARKX=18W or 26W 120V Advance MARK 10</p> <p>2DMARKX=18W or 26W 277V Advance MARK 10</p>	<p>CP=Chicago Plenum</p> <p>EM=Emergency Module with Remote Test Switch²</p> <p>2C=(2) Ballasts for HI-Low Switching</p> <p>2CMS=2 Circuit Master Satellite (2 Housings, Order 2 Trims)</p>	<p>6CLH2261=6" Reflector Self-Flanged</p> <p>6CLH2260=6" Reflector Polymer Trim Ring</p>	<p>Alzak® Finishes</p> <p>LI=Specular Clear</p> <p>H=Semi-Specular Clear</p> <p>WMH=Warm Haze</p> <p>G=Gold</p> <p>WH=Wheat</p> <p>WHH=Wheat Haze</p> <p>GP=Graphite</p> <p>GPH=Graphite Haze</p> <p>B=Black</p> <p>Painted Finishes</p> <p>W=Gloss White</p> <p>WB=White Baffle (polymer trim ring only)</p> <p>BB=Black Baffle (polymer trim ring only)</p>	<p>1=Prismatic Acrylic Lens</p> <p>2=Diffuse Acrylic Lens</p> <p>3=Clear Acrylic Lens</p> <p>1G=Prismatic Glass Lens</p> <p>2G=Diffuse Glass Lens</p> <p>3G=Clear Glass Lens</p> <p>4G=Fresnel Lens</p> <p>5=Crossblade</p>	<p>WF=White Painted Flange</p>	<p>HB26=C Channel Bar Hangers, 26" Long, Pair</p> <p>HB50=C Channel Bar Hangers, 50" Long, Pair</p> <p>TRRC6P=Rimless Trim Ring, White¹</p> <p>FK5=5 Amp Field Installable Fuse Kit 300V Max</p> <p>RMB22=Wood Joist Bar Hanger, 22" Long, Pair</p> <p>HSAC6=Slope Adapter for 6" Aperture Housings, Specify Slope</p> <p>TRMC6=CFL Metal Trim Ring¹</p>

Notes: ¹Order trim with polymer trim ring. ²Not available with Chicago Plenum. ³Not available with 13W. (Consult specification sheet for ordering information and options).

PHOTOMETRICS

Candlepower Distribution Curve



Test No. P13420
 CD6226E 6CHL2261L1
 Lumens = 3600
 Efficiency = 28.7%
 Lamp = 26W DTT
 SC = 1.0

Cone of Light

Distance Fixture to Lighted Plane	Initial Footcandles at Nadir	L/W	
5.5'	22	5.3'	5.8'
7.5'	12	7.3'	8'
8'	11	7.8'	8.4'
10'	7	9.8'	10.6'
12'	5	11.8'	12.8'

Candela Distribution

Degrees Vertical	Candela
0	676
5	668
15	559
25	436
35	338
45	235
55	115
65	7
75	0
85	1
90	0

Zonal Lumen Summary

Zone	Lumens	%Fixture
0-30	454	44.0
0-40	703	68.1
0-60	1019	98.7
0-90	1032	100.0
90-180	0	0.0
0-180	1032	100.0

Luminance

Average Candela/M ²	
Degrees	Avg. 0° Luminance
45	16133
55	9733
65	804
75	0
85	557