

DESCRIPTION

The AtLite Mini is a UL924 and NYC code compliant LED emergency light available with two or three 65 lumen heads that create up to 27 feet of emergency egress coverage. Its J-box size metal housing is easy to install and creates a minimal presence in the workspace.

Catalog #		Type
Project		
Comments		Date
Prepared by		

SPECIFICATION FEATURES

Electrical

- Dual Voltage Input 120/277VAC, 60Hz
- Line-latching
- Brownout circuit
- Low Voltage Disconnect
- Overload/Short Circuit Protection
- Test Switch/Power connector facilitates installation
- 3.6V, .78W DC Long Lasting LED Heads
- 240V capable with 48 hr recharge

Housing Construction

- Sheet metal housing with white finish
- J-box and conduit knockouts for easy installation
- Suitable for wall or ceiling mount applications

- Universal J-box mounting pattern
- Keyhole mounting slots
- Available in white color

Battery

- Sealed nickel cadmium
- Maintenance-free, long-life
- Full recharge time: 24 hrs (max.) 48 hrs for 240V
- Polarized battery terminals

Code Compliance

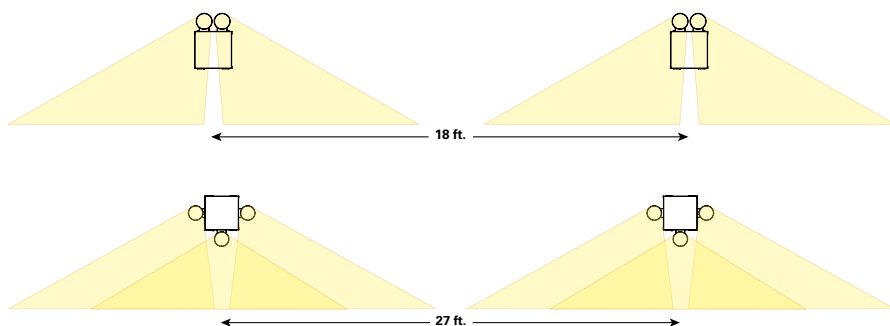
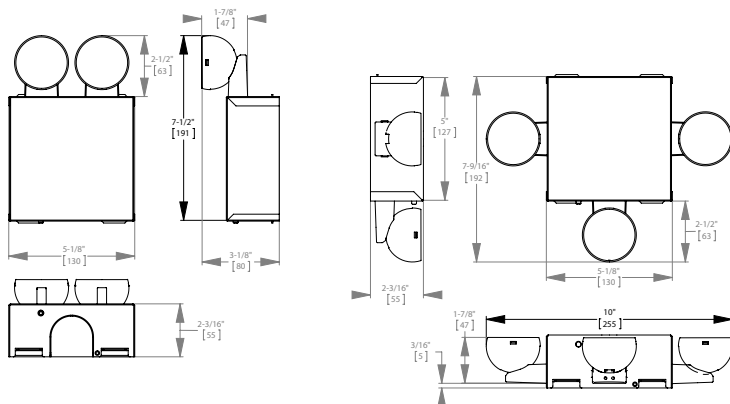
- UL 924 Damp Location Listed
- Life Safety NFPA 101
- NEC/OSHA
- Most State and Local Codes
- Operating temperature range 10 °C to 40 °C
- California Energy Code compliant

Head/Lamp Data

- Long Life LED Emergency Heads
- Two or three head options available
- Fully adjustable
- High impact thermoplastic
- Matches housing finish

Warranty

- Five-year warranty
- Seven-year prorated battery warranty



Emergency Egress Coverage

Path width	2 Head	3 Head
3 feet wide	18 feet	27 feet
6 feet wide	15 feet	23 feet

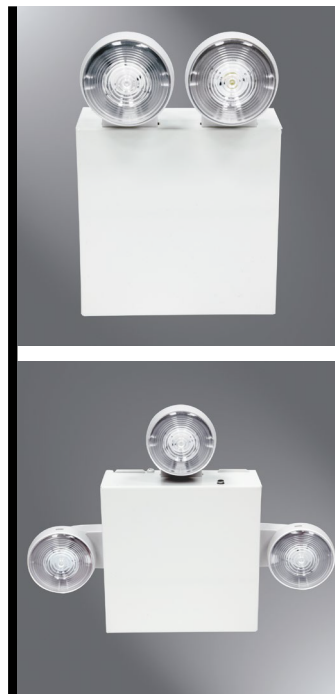
ENERGY DATA

ATLEMINI-2H

Input Power:
120V = .33W
277V = .47W
Input Current (Max.):
120V = .06A
277V = .07A

ATLEMINI-3H

Input Power:
120V = 0.6W
277V = 0.8W
Input Current (Max.):
120V = .07A
277V = .07A



ATLEMINI SERIES

EMERGENCY LIGHTING
SHEET METAL HOUSING
NICKEL CADMIUM BATTERY
LED SOURCE
UL924 CODE COMPLIANT
NYC CODE COMPLIANT



ELECTRICAL RATINGS

Rated Wattage

Model	DC Voltage	1.5 Hours
ATLEMINI-2H	3.6 volts	1.5 watts
ATLEMINI-3H	3.6 volts	3.0 watts

Note: Each Long Life LED Emergency Head replaces a 5.4 Watt Incandescent lamp.

ORDERING INFORMATION

SAMPLE NUMBER: ATLEMINI-2H

Series	Battery	Remote Heads Powered	Catalog numbers
ATLE = AtLite LED emergency	Mini = J-box size	2H = two heads 3H = three heads	ATLEMINI-2H ATLEMINI-3H

TECHNICAL DATA

LED Heads

The polycarbonate 65 lumen LED heads are fully adjustable to enable wall or ceiling mount applications.

Housing Construction

The AtLite Mini-series housing is made of 20 gauge sheet metal. It has a conduit access point along with a full J-box knock out pattern on the back of the fixture to enable wall, ceiling or pendant mounting (3 head version only).

Line-Latched

AtLite Mini-Series line-latched electronic circuitry makes installation easy and economical. A labor efficient AC-activated load switch prevents the lamps from turning on during installation to a non-energized AC circuit. Linelatching eliminates the need for a contractor's return to a job site to connect the batteries when the building's main power is permanently turned on.

Solid-State Charger

The AtLite Mini-Series is supplied with a 120/240/277 VAC, voltage regulated solid-state charger. Upon restoration of AC current after a power failure, the charger provides a high charge rate. The charge circuit reacts to the condition of the battery and alters the rate of charge in order to maintain peak battery capacity and maximize battery life. Solid-state construction recharges the battery following a power failure in accordance with UL 924.

Brownout Circuit

The brownout circuit in AtLite Emergency units monitor the flow of AC current to the unit and activates the emergency lighting system when a predetermined reduction of AC power occurs. This dip in voltage will cause most ballasted fixtures to extinguish causing loss of normal lighting even though a total power failure has not occurred.

Low Voltage Disconnect

When the battery's terminal voltage falls below 80% of the rated voltage, the low voltage circuitry disconnects the lighting load. The disconnect remains in effect until normal utility power is restored, preventing deep battery discharge.

Test Switch/Power Indicator Light

A test switch permits the activation of the emergency circuit for a complete operational system check. The Power Indicator Light provides assurance that the AC power is on.

Sealed Nickel Cadmium Battery

AtLite Emergency sealed nickel cadmium batteries are maintenance free with a life expectancy of 10 years. The sealed rechargeable nickel cadmium battery offers high discharge rates and stable performance over a wide range of temperatures.

Warranty

AtLite LED Emergency products are backed by a five-year product warranty and a seven-year prorated battery warranty.