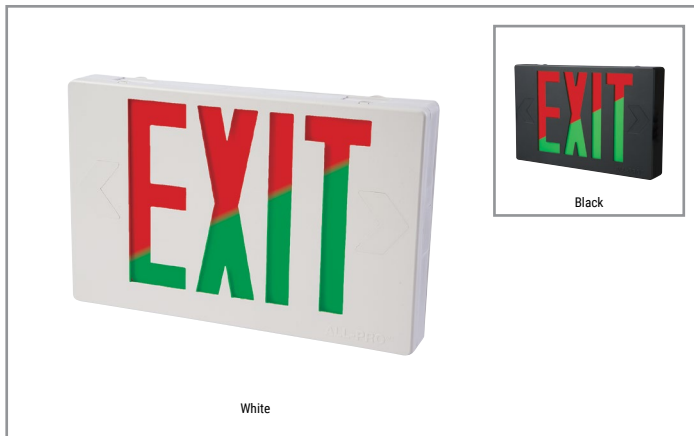


Project		Catalog #		Type	
Prepared by		Notes		Date	



Sure-Lites

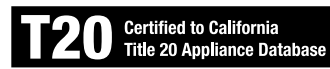
All-Pro APXH7RG Series

LED Exit Sign with Remote Capability
Thermoplastic Housing with Selectable Red or Green Faces

Typical Applications

Office • Education • Healthcare • Hospitality • Retail • Industrial • Manufacturing

Product Certification



Product Features



Interactive Menu

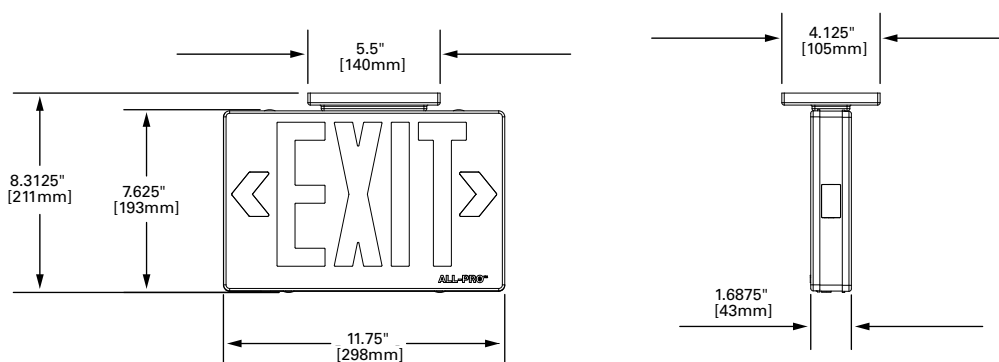
- Order Information page 2
- Product Warranty

Top Product Features

- Provides 90 minutes of emergency power
- Remote capability to support up to two LED APWR remote heads that provide up to 17 feet of egress coverage ⁽¹⁾
- Field selectable single or double faces with snap-out/snap-in chevrons
- Field selectable red or green LEDs and inserts for letter color selection
- Maintenance free nickel cadmium battery
- High impact, 5VA flame resistant, UV resistant thermoplastic housing in white or black
- Universal J-box mounting pattern
- UL Damp location rated
- Dual voltage input 120/277 VAC, 60Hz

Note: (1) AWPR remote heads provided separately.

Dimensional and Mounting Details



[additional product diagrams](#)

Ordering Information

SAMPLE ORDER NUMBER: **APXH7**

Series	Face Options	Letter Colors	Remote Heads Powered	Housing Color	Catalog Numbers
Series	Face Options	Letter Colors	Remote Heads Powered	Housing Color ⁽¹⁾	Catalog Numbers
APXH7	[Blank]=Universal	RG=Field Selectable Red or Green	2=Two 3.6V LED Heads	[Blank]=White Black=Black ⁽¹⁾	APXH7RG2, APXH7RG2BK
				Notes (1) Black units are made to order. Contact your Cooper Lighting Representative for lead times.	

Catalog Number	Description	UPC	Case Count	Pallet Quantity
APXH7RG2	All-Pro Exit, Red Green Selectable, Nickel Cadmium Battery Backup, Remote Capacity, White Finish	080083281305	8	192
APXH7RG2BK	All-Pro Exit, Red Green Selectable, Nickel Cadmium Battery Backup, Remote Capacity, Black Finish	080083281329	8	192

Description

The LED APXH7RG remote capable exit series is a UL924 code compliant solution for indoor exit and emergency requirements that will operate for a minimum of 90 minutes during a power outage. The nickel cadmium battery requires no maintenance. The APXH7RG series are supplied with both red and green LEDs and red and green face inserts to provide deep letter colors and illumination uniformity. The series are supplied pre-set to red letters and are easily changed to green letters in the field. The APXH7RG series configurable single or double faces, snap-in/snap-out directional chevrons and universal surface ceiling, wall and end mounting make it a true universal exit and emergency lighting solution for stocking and installation needs. The high impact, UV resistant, 5VA flame resistant thermoplastic housings resists discoloration due to age or UV exposure for maximum durability. Housing finishes are available in white or black for multiple design requirements. The APXH7RG series will power two additional 3.6 volt emergency heads from the APWR series to generate a total of 17 feet of emergency egress coverage.

Product Specifications

Illumination Source Data

- Long life LEDs provide uniform, diffuse illumination for the EXIT face
- RG models are field selectable red or green
- LED sources are brighter in emergency mode
- Can support up to two LED APWR remote heads 3.6V, 0.78W (provided separately)
- Total egress coverage up to 17 feet with two APWR remote heads

Electrical

- Dual voltage input 120/277VAC, 60Hz
- 3.6V, 0.78W DC long lasting LED heads
- Line-latching
- Solid-state voltage limited charger
- Solid-state switching
- Brownout protection
- Low voltage disconnect
- Overload/short circuit protection
- Test switch / power indicator light
- High power remote option available capable of running two additional 3.6V remote emergency lights

Housing Construction

- All components are injection molded, color stable, high impact, 5VA flame resistant, thermoplastic housing
- UV stabilized to resist discoloration due to age and ultraviolet radiation
- APXH7RG series LEDs and lens panels are field selectable red or green. APXH7RG series come with LEDs set to "red" with red inserts installed. The APXH7RG series and can be easily converted to "green" LEDs and inserts in the field.
- Available in white or black textured finish
- Components are of snap-fit construction to facilitate under 5-minute installation
- Reinforcing ribs throughout to provide maximum strength connections

- Molded-in wireways facilitate internal wire routing and connections
- All components including battery and electronics are located inside the exit housing
- Snap-out or snap-in chevron directional indicators have full 3/4" stroke
- Universal exits can be field configured as single face or double face
- Snap-fit canopy with mounting screws included with all exits
- Exit can be ceiling, wall, or end mounted
- Universal J-box mounting pattern
- Operating temperature range 10°C to 40°C

Solid-State Charger

- 120/277 VAC, voltage regulated solid-state charger
- High charge rate immediately following power restoration of AC current after a power failure
- Charge circuit reacts to the condition of the battery and regulates the charging process in order to maintain peak battery capacity and maximize battery life
- Solid-state construction recharges the battery following a power failure in accordance with UL 924

Brownout Circuit

- Monitors the flow of AC current
- Activates the emergency lighting system when a predetermined reduction/dip of AC power occurs (a dip in voltage will cause most ballasted products to extinguish, causing loss of normal lighting even though a total power failure has not occurred)

Test Switch/Power Indicator Light

- Switch located on the bottom of the exit permits the activation of the emergency circuit for complete operational systems check
- Indicator light provides visual assurance that the AC power is on

Line-Latched

- AC activated load switch prevents lamps from turning on during installation to a non-energized AC circuit
- Eliminates need of contractor to return to job site to connect batteries when building's main power is turned on

Low Voltage Disconnect

- Disconnects lighting load when battery terminal voltage falls
- Disconnect remains in effect until normal AC power is restored
- Prevents deep battery discharge, which provides for longer battery life

Battery

- Sealed nickel cadmium
- Maintenance free, long life
- Full recharge time: 24 hrs (max.)

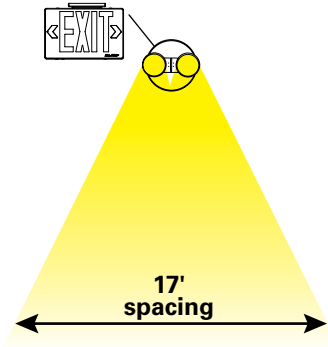
Code Compliance

- UL 924 Listed
- UL Damp Location Listed
- Life Safety NFPA 101
- NEC/OSHA
- California Energy Code compliant

Limited Warranty

- Five-year limited warranty
- Seven-year prorated battery limited warranty

APH7RG2 Spacing with Remote ⁽¹⁾



Note: (1) AWPR remote heads provided separately.

Energy and Performance Data

Maximum power consumption under all charge conditions:

APXH7RG2 Series - Red/Green Selectable

Input Power	Input Current (Max.):	Power Factor:
120V = 2.01W	120V = 0.11A	120V = >0.150
277V = 4.04W	277V = 0.10A	277V = >0.143