

Project		Catalog #		Type	
Prepared by		Notes		Date	



McGraw-Edison

TT TopTier

Solar-Enabled Parking Garage Luminaire

Product Features



Product Certifications



Interactive Menu

- Ordering Information [page 2](#)
- Product Specifications [page 2](#)
- Optical Configurations [page 2](#)
- Mounting Details [page 3](#)
- Energy and Performance Data [page 4](#)

Quick Facts

- Lumen packages range from 3,090 - 10,000
- Efficacies up to 147 lumens per watt
- Utilizes patented waveguide technology for maximum visual comfort
- Surface, pendant, trunnion, wall and direct conduit mount options

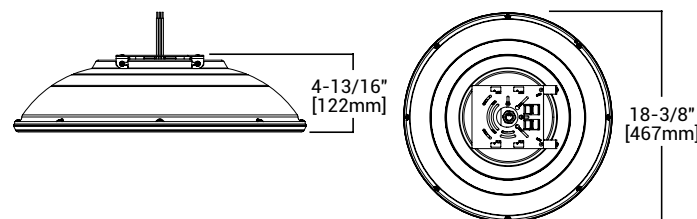
Dimensional Details

SURFACE MOUNT

CQ, MQ, WQ and RW: D1-D5

DL: D1-D4

Base luminaire weight: 18.2 lbs (8.3 kg)



NOTES:

1. IDA Certified for 3000K CCT and warmer only.

Ordering Information

SAMPLE NUMBER: TT-D3-740-24VDC-WQ-STM-30L-AP

Product Family	Configuration	Color Temperature	DC Solar Input Voltage	Distribution	Mounting ¹¹	Lead Length ²	Finish
TT =TopTier BAA-TT =TopTier, Buy American Act Compliant ^{10, 13} TAA-TT =TopTier, Trade Agreements Act Compliant ^{10, 13}	D1 =4,000 Nominal Lumens D2 =5,500 Nominal Lumens D3 =6,500 Nominal Lumens D4 =8,000 Nominal Lumens D5 =10,000 Nominal Lumens	735 =70 CRI, 3500K CCT 740 =70 CRI, 4000K CCT 750 =70 CRI, 5000K CCT 830 =80 CRI, 3000K CCT	12VDC =12V DC ¹² 24VDC =24V DC	CQ =Concentrated MQ =Medium WQ =Wide RW =Rectangular Wide DL =Drive Lane / Type 4	[Blank] =Surface Mount ⁸ TMB =Trunnion Mount with Connection Box DPM =Decorative Pendant Mount ¹ WM =Wall Mount STM =Stem Mount to 1/2" conduit ⁸	[Blank] =6" 30L =30" 36L =36" 48L =48" 72L =72" 108L =108" 120L =120" 144L =144"	NW =White AP =Grey BZ =Bronze BK =Black DP =Dark Platinum GM =Graphite Metallic
Options (Add as Suffix)				Accessories (Order Separately) ¹⁰			
CG =Clear Glass ³ SG =Solite [®] Glass ⁴ UPL =Uplight TR =Tamper Resistant Hardware NAT =Natatorium finish				TT/WG =Wire Guard ⁹ TT/BG-UP-XX =Bird Guard ^{5, 6} TT/HSS-XX =House Side Shield ⁹ DPMS36-XX =36" Pendant Mount Stem ^{5, 7} DPMS48-XX =48" Pendant Mount Stem ^{5, 7} DPMS96-XX =96" Pendant Mount Stem ^{5, 7} DPMST36-XX =36" Pendant Mount Stem with Tether ^{5, 7, 11} DPMST48-XX =48" Pendant Mount Stem with Tether ^{5, 7, 11} DPMST96-XX =96" Pendant Mount Stem with Tether ^{5, 7, 11}			
NOTES: 1. Order Pendant Mount Stem accessory. 2. Choose lead length for Surface Mount and Stem Mount only. TMB, DPM and WM lengths predetermined. 3. Not available with CQ. 4. Standard with CQ, option available with WQ only. 5. Specify color in place of XX. 6. Designed for use with Stem Mount and Decorative Pendant Mount only. 7. Designed for use with Decorative Pendant Mount only. 8. Specify Lead Length for wire harness length. 9. TT/WG and TT/HSS cannot be installed together. 10. Only product configurations with these designated prefixes are built to be compliant with the Buy American Act of 1933 (BAA) or Trade Agreements Act of 1979 (TAA), respectively. Please refer to DOMESTIC.PREFERENCES website for more information. Components shipped separately may be separately analyzed under domestic preference requirements. 11. For installations in locations such as gymnasiums, arenas, sports complexes, multi-purpose rooms, and any other locations where the fixture potentially will be subject to impacts from external sources, DPM mounting is required, utilizing the stem kit with tether (DPMST*). Surface Mount, Trunnion Mount (TMB), Wall Mount (WM) and Stem Mount (STM) are prohibited in these applications. 12. Available in D1, D2, and D5. 13. Extended lead times may apply.							

Product Specifications

Construction

- Low profile, die-cast aluminum housing provides a clean, symmetric aesthetic

Optics

- Five optical distributions utilizing visual comfort waveguide technology
- 5 lumen packages from 3,097 to 10,072
- Integral uplight option utilizes a dedicated, 8W light engine, producing 920 lumens for reduced visual contrast and cave effect
- IDA Certified for 3000k CCT and warmer only. Not available with uplight option.

Electrical

- D1-D5: -30C - 40C operating temperature
- Greater than 90% lumen maintenance expected at 50,000 hours; 70% lumen maintenance expected greater than 78,000 hours

- IP66 rated
- 1-10V dimming with 0V for Dim-to-Off standard
- DC drivers feature greater than 0.9 power factor and less than 20% total harmonic distortion

Mounting

- Surface mount directly to square or octagonal 4" surface or recessed junction box using quick mount bracket
- Optional stem mount bracket with set screw for direct 1/2" NPS conduit mounting
- Trunnion, decorative pendant, and wall mount options also available
- For installations in locations such as gymnasiums, arenas, sports complexes, multipurpose rooms, and any other locations where the fixture potentially will be subject to impacts from external sources, the stem kit with tether (DPMST*) is required.

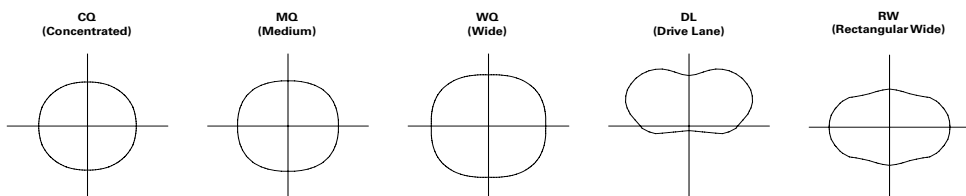
Finish

- 2.5 mil nominal TGIC powder coat thickness
- Finishes include white, black, bronze, gray, dark platinum and graphite metallic
- RAL and custom color matches available
- Natatorium option (NAT) available, providing 5,000 hour salt spray rating per ASTM B117, with a scribe rating of 9 per ASTM D1654

Warranty

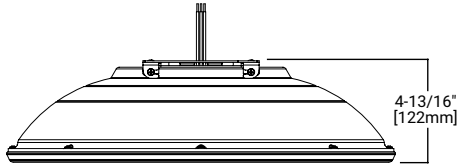
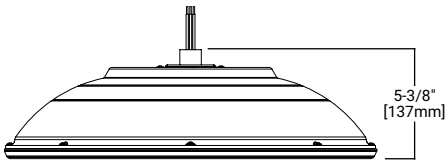
- Five year limited warranty, consult website for details. www.cooperlighting.com/legal

Optical Distributions

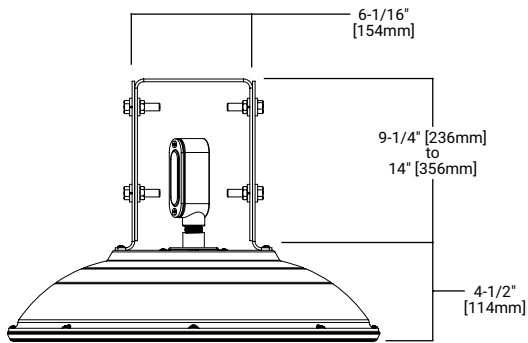


Mounting Details

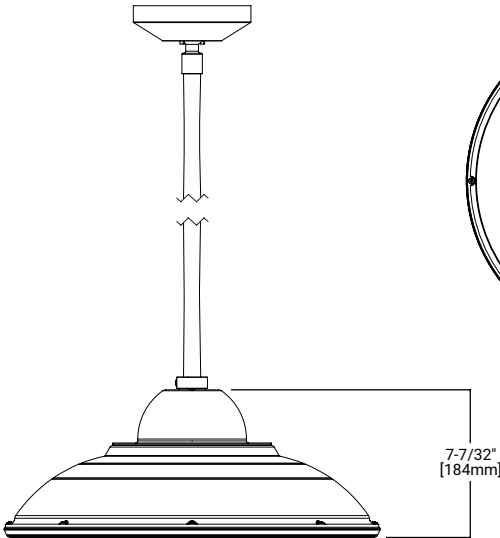
Stem Mount



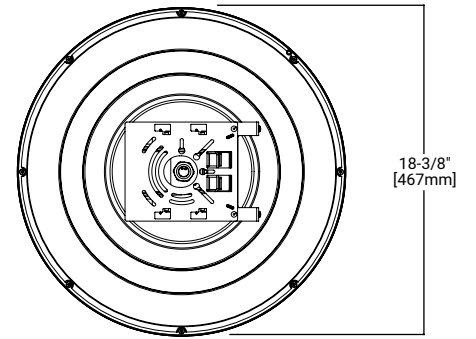
Trunnion Mount



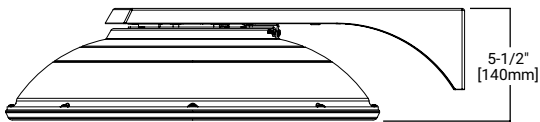
Decorative Pendant Mount



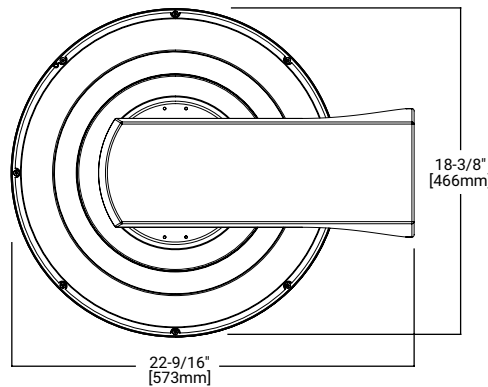
Top View



Wall Mount

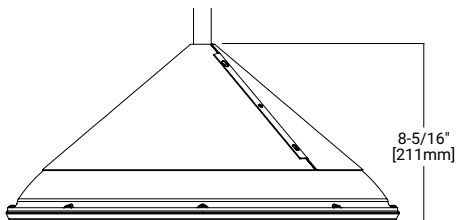


Top View - Wall Mount

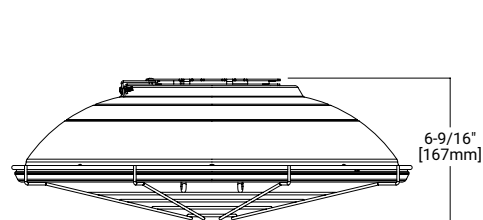


Accessories

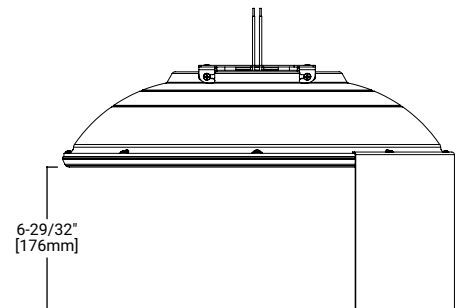
Bird Guard (TT/BG-UP-XX)



Wire Guard (TT/WG)



House Side Shield (TT/HSS-XX)



Energy and Performance Data

[View TopTier IES files](#)

Power and Lumens (3000K/3500K/4000K/5000K)

Lumen Package		D1	D2	D3	D4	D5		
Power (Wattage)		28	38	46	57	73		
Distribution								
3000K CCT 80 CRI	CQ Concentrated	Lumens	3,409	4,640	5,595	6,660	8,383	
		BUG Rating	B1-U0-G1	B2-U0-G1	B2-U0-G1	B2-U0-G1	B3-U0-G1	
		Lumens per Watt	124	122	122	117	114	
	MQ Medium	Lumens	3,647	4,964	5,986	7,125	8,969	
		BUG Rating	B2-U0-G1	B2-U0-G2	B3-U0-G2	B3-U0-G2	B3-U0-G2	
		Lumens per Watt	133	130	131	125	122	
	WQ Wide	Lumens	3,449	4,695	5,662	6,740	8,483	
		BUG Rating	B2-U0-G1	B3-U0-G2	B3-U0-G2	B3-U0-G2	B3-U0-G2	
		Lumens per Watt	125	123	124	119	116	
	RW Rectangular Wide	Lumens	2,757	3,753	4,526	5,387	6,781	
		BUG Rating	B2-U0-G2	B3-U0-G2	B3-U0-G2	B3-U0-G3	B3-U0-G3	
		Lumens per Watt	100	99	99	95	93	
	DL Drive Lane / Type 4	Lumens	2,959	3,985	4,762	5,622	6,537	
		BUG Rating	B1-U0-G2	B2-U0-G3	B2-U0-G3	B2-U0-G3	B1-U0-G3	
		Lumens per Watt	108	105	104	99	89	
	3500K CCT 70 CRI	CQ Concentrated	Lumens	3,618	4,925	5,940	7,070	8,899
			BUG Rating	B1-U0-G1	B2-U0-G1	B2-U0-G1	B2-U0-G1	B3-U0-G1
			Lumens per Watt	132	129	130	124	121
MQ Medium		Lumens	3,872	5,270	6,355	7,564	9,520	
		BUG Rating	B2-U0-G2	B2-U0-G2	B3-U0-G2	B3-U0-G2	B3-U0-G3	
		Lumens per Watt	141	138	139	133	130	
WQ Wide		Lumens	3,662	4,984	6,011	7,154	9,005	
		BUG Rating	B2-U0-G1	B3-U0-G2	B3-U0-G2	B3-U0-G2	B3-U0-G3	
		Lumens per Watt	133	131	131	126	123	
RW Rectangular Wide		Lumens	2,927	3,984	4,805	5,719	7,198	
		BUG Rating	B2-U0-G2	B3-U0-G2	B3-U0-G2	B3-U0-G3	B3-U0-G3	
		Lumens per Watt	106	105	105	101	98	
DL Drive Lane / Type 4		Lumens	3,141	4,230	5,055	5,968	7,938	
		BUG Rating	B1-U0-G2	B2-U0-G3	B2-U0-G3	B2-U0-G3	B2-U0-G3	
		Lumens per Watt	114	111	110	105	108	
4000K/5000K CCT 70 CRI		CQ Concentrated	Lumens	3,828	5,211	6,284	7,480	9,415
			BUG Rating	B1-U0-G1	B2-U0-G1	B2-U0-G1	B2-U0-G1	B3-U0-G1
			Lumens per Watt	139	137	137	132	128
	MQ Medium	Lumens	4,096	5,575	6,723	8,002	10,072	
		BUG Rating	B2-U0-G2	B2-U0-G2	B3-U0-G2	B3-U0-G2	B3-U0-G3	
		Lumens per Watt	149	146	147	141	137	
	WQ Wide	Lumens	3,874	5,273	6,359	7,569	9,527	
		BUG Rating	B2-U0-G1	B3-U0-G2	B3-U0-G2	B3-U0-G2	B3-U0-G3	
		Lumens per Watt	141	138	139	133	130	
	RW Rectangular Wide	Lumens	3,097	4,215	5,083	6,050	7,615	
		BUG Rating	B2-U0-G2	B3-U0-G2	B3-U0-G2	B3-U0-G3	B3-U0-G3	
		Lumens per Watt	113	111	111	107	104	
	DL Drive Lane / Type 4	Lumens	3,323	4,475	5,348	6,314	7,938	
		BUG Rating	B1-U0-G2	B2-U0-G3	B2-U0-G3	B2-U0-G3	B2-U0-G3	
			Lumens per Watt	121	117	117	111	108

Energy and Performance Data

Lumen Package	D1	D2	D3	D4	D5
Power (Wattage)	28	38	46	57	73
Input Current @ 12Vdc (A)	2.3	3.2	---	---	6.1
Input Current @ 24Vdc (A)	1.1	1.6	1.9	2.4	3.1

Lumen Maintenance

Ambient Temperature	25,000 hours	50,000 hours	60,000 hours	L70 (10,000)
25C	95%	91%	89%	>78,000 hrs
40C	94%	90%	89%	>78,000 hrs

ANSI/IES TM-21-21

Lumen Multiplier

Ambient Temperature	Multiplier
0°C	1.03
10C	1.02
25°C	1.00
40°C	0.98