

Project		Catalog #		Type	
Prepared by		Notes		Date	



# Streetworks

## FFX Fairfax

Decorative Post Top Luminaire

### Product Certifications & Features



### Interactive Menu

- **Ordering Information** page 2
- **Energy and Performance Data** page 3-5

## Product Specifications

### OPTICAL

- Optical grade UV- and impact-resistant prismatic refractor for years of clarity and durability
- Type III and Type V distributions
- Optional internal uplight refractor for superior uplight control

### ELECTRICAL

- 120-277V 50/60Hz operation
- 10kV and 20kV surge protection options with series or parallel configurations
- 0-10V dimming standard
- Ambient operating temperature from -40°C to 40°C
- Standard three-position tunnel type compression terminal block

### PHYSICAL CHARACTERISTICS

- Heavy-duty cast aluminum housing and removable door
- Tool-less access to wiring compartment via a single stainless steel quarter turn fastener
- Base casting slipfits over a standard 3" O.D. tenon and secured via four stainless steel allen head fasteners
- Aluminum components are finished in premium TGIC polyester powder coat paint, with 2.5-mil thickness for superior durability and fade resistance
- Standard colors include grey, black, bronze, dark platinum, graphite metallic, hartford green, and white. Additional RAL color numbers available
- Approximate net weight = 25lbs
- EPA = 1.9 sq ft

### CONTROLS

- 3- and 7-pin photocell receptacle options
- DALI and D4i driver options
- Field Adjustable Dimming Control option for manual adjustment of power consumption and lumen output. Factory preset to highest output level

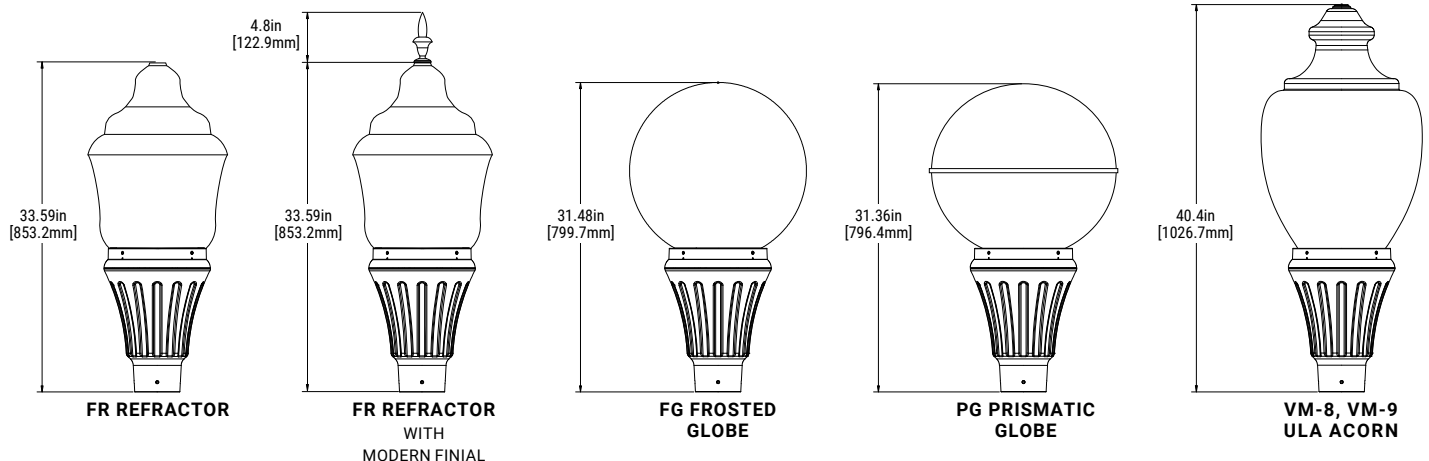
### COMPLIANCE

- UL wet location rated
- Configurations available that meet DLC and DLC Premium requirements, submission in progress - visit [www.designlights.org](http://www.designlights.org) to confirm listed variants

### WARRANTY

- Five-year limited warranty. Consult website for details. [www.cooperlighting.com/legal](http://www.cooperlighting.com/legal)

## Dimensional Details

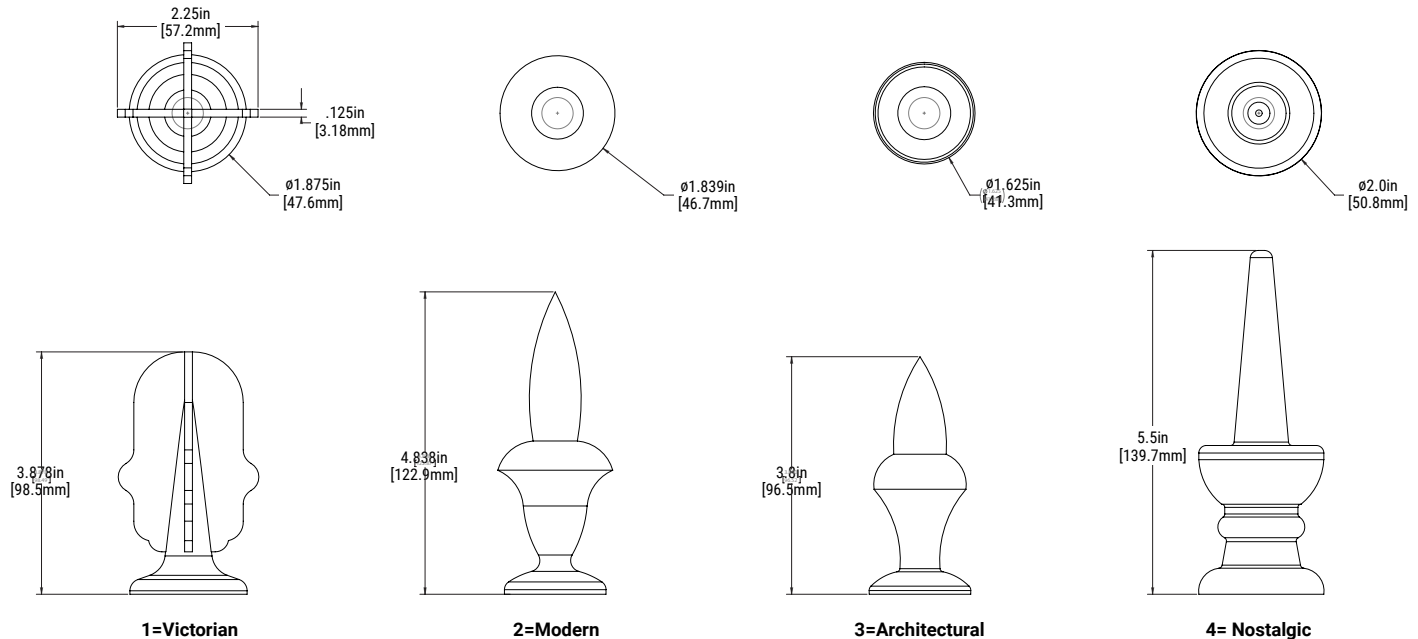


## Ordering Information

SAMPLE NUMBER: **FFX-CLB-50-730-U-FR-T5-X-2-BK-PR7**

Product Family	Housing	Wattage (Nominal)	Color Temperature	Voltage	Refractor / Globe Type	Optic	Cage Type	Finial Type	Color
<b>FFX</b> =Fairfax <b>BAA-FFX</b> =Fairfax Buy American Compliant <b>TAA-FFX</b> =Fairfax Trade Agreements Compliant	<b>CLB</b> =Classical Base	<b>20</b> =20W <b>30</b> =30W <b>40</b> =40W <b>50</b> =50W <b>60</b> =60W <b>70</b> =70W <b>80</b> =80W <b>90</b> =90W <b>100</b> =100W	<b>722</b> =70CRI, 2200K <b>727</b> =70CRI, 2700K <b>730</b> =70CRI, 3000K <b>740</b> =70CRI, 4000K <b>750</b> =70CRI, 5000K	<b>U</b> =Universal (120-277V) <b>H</b> =High Voltage (347-480V) <sup>1</sup> <b>1</b> =120V <b>2</b> =208V <b>3</b> =240V <b>4</b> =277V <b>8</b> =480V <sup>1</sup> <b>9</b> =347V <sup>1</sup>	<b>FR</b> =Fairfax Refractor <b>FG</b> =Frosted Globe <sup>2,3</sup> <b>PG</b> =Prismatic Globe <sup>2,5</sup> <b>VM8</b> =ULA Acorn, 8" neck <sup>2</sup> <b>VM9</b> =ULA Acorn, 9" neck <sup>2</sup>	<b>T3</b> =Fairfax Refractor Type III <sup>3</sup> <b>T5</b> =Type V	<b>X</b> =None	<b>1</b> =Victorian <b>2</b> =Modern <b>3</b> =Architectural <b>4</b> =Nostalgic <b>X</b> =None	<b>AP</b> =Grey <b>BK</b> =Black <b>BZ</b> =Bronze <b>DP</b> =Dark Platinum <b>GM</b> =Graphite Metallic <b>GN</b> =Hartford Green (Premium) <b>WH</b> =White <b>RALXXXX</b> =RAL Number (Premium)
Options (Add as Suffix)				Controls			Accessories (Order Separately)		
<b>10MSP</b> =Parallel 10kV MOV Surge Protector <b>20MSP</b> =Parallel 20kV MOV Surge Protector <b>10K</b> =Series 10kV UL 1449 Surge Protective Device <b>20K</b> =Series 20kV UL 1449 Surge Protective Device <b>20KI</b> =Series 20kV UL 1449 Surge Protective Device with light indicator <b>W</b> =External wire leads 20ft <b>CC</b> =Coastal Construction <b>UPLR</b> =Uplight Reflector <sup>3</sup> <b>Dxxxxx</b> =DOT Configuration - Contact Quotes Team <b>Uxxxxx</b> =Utility Configuration - Contact Quotes Team				<b>DALI</b> =DALI Driver(s) <sup>4</sup> <b>D4</b> =D4i driver <sup>4</sup> <b>FADC</b> =Field Adjustable Dimming Controller <b>PR</b> =NEMA 3-PIN Twistlock Photocontrol Receptacle <b>PR7</b> =NEMA 7-PIN Twistlock Photocontrol Receptacle <b>AN8</b> =M2M Antennae (915MHz)			<b>OA1222</b> =10kV Surge Module		
<b>NOTES:</b> 1. May not be available with DALI/D4i. Check with quotes team. 2. Must select T5 optic. 3. Must select FR refractor. 4. May not be available above 277V. Check with quotes team. 5. Not available with Finials									

## Finial Details



## Energy Performance Data

Nominal Power (Watts)	20	30	40	50	60	70	80	90	100
Actual Wattage	19.5	30.5	39.3	50.5	59.8	70.3	80.8	90.3	96.4
Wattage Label	20	30	40	50	60	70	80	90	100
Current @ 120V	0.16	0.25	0.33	0.42	0.50	0.59	0.67	0.75	0.80
Current @ 277V	0.07	0.11	0.14	0.18	0.22	0.25	0.29	0.33	0.35
Current @ 347V	0.06	0.09	0.11	0.15	0.17	0.20	0.23	0.26	0.28
Current @ 480V	0.04	0.06	0.08	0.11	0.12	0.15	0.17	0.19	0.20

70 CRI, 3000K										
Fairfax Refractor (FR) T3	Lumens	3,107	4,785	6,171	7,895	9,204	10,832	12,439	13,826	14,754
	Lumens per Watt	159	157	157	156	154	154	154	153	153
	BUG Rating	B1 U3 G2	B1 U4 G2	B2 U4 G3	B2 U5 G3	B2 U5 G3	B3 U5 G3	B3 U5 G4	B3 U5 G4	B3 U5 G4
FR T3 w UPLR Uplight Reflector	Lumens	3,083	4,749	6,124	7,835	9,134	10,749	12,344	13,720	14,642
	Lumens per Watt	158	156	156	155	153	153	153	152	152
	BUG Rating	B1 U3 G2	B2 U3 G2	B2 U3 G3	B2 U4 G3	B2 U4 G3	B3 U4 G4	B3 U4 G4	B3 U5 G4	B3 U5 G4
Fairfax Refractor (FR) T5	Lumens	3,206	4,937	6,367	8,146	9,497	11,176	12,834	14,265	15,223
	Lumens per Watt	164	162	162	161	159	159	159	158	158
	BUG Rating	B2 U3 G1	B3 U4 G2	B3 U4 G2	B3 U5 G3	B3 U5 G3	B4 U5 G3	B4 U5 G3	B4 U5 G3	B4 U5 G3
FR T5 w UPLR Uplight Reflector	Lumens	3,129	4,819	6,214	7,951	9,269	10,908	12,526	13,923	14,858
	Lumens per Watt	161	158	158	157	155	155	155	154	154
	BUG Rating	B2 U3 G2	B3 U3 G2	B3 U4 G2	B3 U4 G3	B3 U4 G3	B4 U4 G3	B4 U5 G3	B4 U5 G3	B4 U5 G3
Frosted Globe (FG)	Lumens	3,313	5,102	6,579	8,418	9,813	11,549	13,262	14,740	15,731
	Lumens per Watt	170	167	167	167	164	164	164	163	163
	BUG Rating	B1 U5 G2	B2 U5 G3	B2 U5 G3	B2 U5 G3	B3 U5 G4	B3 U5 G4	B3 U5 G5	B3 U5 G5	B3 U5 G5
Prismatic Globe (PG)	Lumens	3,232	4,977	6,418	8,212	9,573	11,266	12,937	14,380	15,346
	Lumens per Watt	166	163	163	163	160	160	160	159	159
	BUG Rating	B1 U4 G2	B2 U5 G3	B2 U5 G3	B3 U5 G4	B3 U5 G4	B3 U5 G4	B3 U5 G5	B3 U5 G5	B3 U5 G5
8" ULA Refractor (VM8)	Lumens	3,180	4,898	6,317	8,082	9,421	11,087	12,732	14,152	15,102
	Lumens per Watt	163	161	161	160	158	158	158	157	157
	BUG Rating	B1 U5 G2	B2 U5 G3	B2 U5 G3	B2 U5 G3	B3 U5 G4	B3 U5 G4	B3 U5 G4	B3 U5 G5	B3 U5 G5
9" ULA Refractor (VM9)	Lumens	3,167	4,878	6,290	8,048	9,382	11,041	12,679	14,092	15,039
	Lumens per Watt	162	160	160	159	157	157	157	156	156
	BUG Rating	B1 U4 G2	B2 U5 G3	B2 U5 G3	B2 U5 G3	B3 U5 G4	B3 U5 G4	B3 U5 G4	B3 U5 G5	B3 U5 G5

## Energy Performance Data

Nominal Power (Watts)	20	30	40	50	60	70	80	90	100
Actual Wattage	19.5	30.5	39.3	50.5	59.8	70.3	80.8	90.3	96.4
Wattage Label	20	30	40	50	60	70	80	90	100
Current @ 120V	0.16	0.25	0.33	0.42	0.50	0.59	0.67	0.75	0.80
Current @ 277V	0.07	0.11	0.14	0.18	0.22	0.25	0.29	0.33	0.35
Current @ 347V	0.06	0.09	0.11	0.15	0.17	0.20	0.23	0.26	0.28
Current @ 480V	0.04	0.06	0.08	0.11	0.12	0.15	0.17	0.19	0.20

70 CRI, 4000K										
Fairfax Refractor (FR) T3	Lumens	3,209	4,943	6,375	8,156	9,508	11,190	12,850	14,283	15,242
	Lumens per Watt	165	162	162	162	159	159	159	158	158
	BUG Rating	B1-U3-G2	B2-U4-G2	B2-U4-G3	B2-U5-G3	B2-U5-G3	B3-U5-G3	B3-U5-G4	B3-U5-G4	B3-U5-G4
FR T3 w UPLR Uplight Reflector	Lumens	3,185	4,906	6,326	8,094	9,436	11,104	12,752	14,174	15,126
	Lumens per Watt	163	161	161	160	158	158	158	157	157
	BUG Rating	B1-U3-G2	B2-U3-G3	B2-U4-G3	B2-U4-G3	B3-U4-G3	B3-U4-G4	B3-U5-G4	B3-U5-G4	B3-U5-G4
Fairfax Refractor (FR) T5	Lumens	3,312	5,101	6,578	8,416	9,811	11,546	13,259	14,737	15,727
	Lumens per Watt	170	167	167	167	164	164	164	163	163
	BUG Rating	B2-U4-G2	B3-U4-G2	B3-U5-G2	B3-U5-G3	B3-U5-G3	B4-U5-G3	B4-U5-G3	B4-U5-G3	B4-U5-G3
FR T5 w UPLR Uplight Reflector	Lumens	3,232	4,978	6,420	8,214	9,575	11,268	12,940	14,383	15,349
	Lumens per Watt	166	163	163	163	160	160	160	159	159
	BUG Rating	B2-U3-G2	B3-U3-G2	B3-U4-G2	B3-U4-G3	B3-U4-G3	B4-U4-G3	B4-U5-G3	B4-U5-G3	B4-U5-G4
Frosted Globe (FG)	Lumens	3,422	5,270	6,797	8,696	10,137	11,930	13,700	15,227	16,250
	Lumens per Watt	176	173	173	172	170	170	170	169	169
	BUG Rating	B1-U5-G2	B2-U5-G3	B2-U5-G3	B2-U5-G4	B3-U5-G4	B3-U5-G4	B3-U5-G5	B3-U5-G5	B3-U5-G5
Prismatic Globe (PG)	Lumens	3,338	5,141	6,630	8,483	9,889	11,638	13,365	14,854	15,852
	Lumens per Watt	171	169	169	168	165	166	165	165	164
	BUG Rating	B1-U4-G2	B2-U5-G3	B2-U5-G3	B3-U5-G4	B3-U5-G4	B3-U5-G4	B3-U5-G5	B3-U5-G5	B3-U5-G5
8" ULA Refractor (VM8)	Lumens	3,285	5,060	6,525	8,348	9,732	11,453	13,152	14,619	15,601
	Lumens per Watt	169	166	166	165	163	163	163	162	162
	BUG Rating	B1-U5-G2	B2-U5-G3	B2-U5-G3	B2-U5-G3	B3-U5-G4	B3-U5-G4	B3-U5-G4	B3-U5-G5	B3-U5-G5
9" ULA Refractor (VM9)	Lumens	3,271	5,039	6,498	8,314	9,692	11,406	13,098	14,558	15,536
	Lumens per Watt	168	165	165	165	162	162	162	161	161
	BUG Rating	B1-U4-G2	B2-U5-G3	B2-U5-G3	B2-U5-G3	B3-U5-G4	B3-U5-G4	B3-U5-G5	B3-U5-G5	B3-U5-G5

## LED Color Multipliers

	CCT				
	2200K	2700K	3000K	4000K	5000K
CRI	Lumen Multiplier*				
70	0.74	0.84	0.91	1.00	1.00

NOTES: \*Estimates, refer to IES files for accuracy.

## Lumen Maintenance

Ambient Temperature	25,000 hours*	50,000 hours*	L70* (Hours)
25°C	92.8%	87.0%	>102,000
40°C	92.2%	86.0%	>102,000

NOTES: \*Calculation provided in accordance with IES TM-21-11 using the configuration resulting in highest LED temperature.

## FADC Settings

FADC Position	Percent of Typical Lumen Output
1	25%
2	46%
3	55%
4	62%
5	72%
6	77%
7	82%
8	85%
9	90%
10	100%

Note: +/-5% typical value