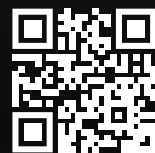


STREETWORKS

FEATURED PRODUCTS GUIDE

Page Selection

- 2 Roadway Lighting
- 3 Area / Security Lighting
- 4 Decorative Lighting
- 4 Underpass Lighting
- 5 Flood Lighting
- 5 Controls & Smart City Solutions



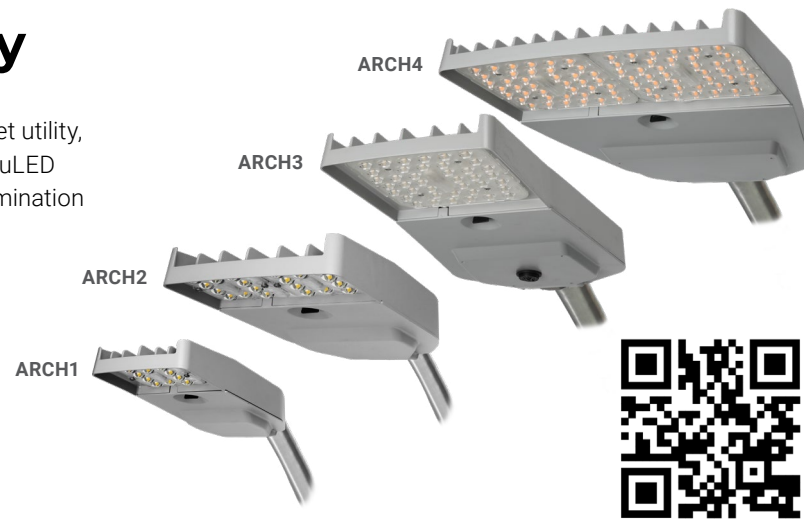
SCAN FOR MORE

Roadway Lighting

Archeon Contemporary

The Archeon Contemporary product family combines high performance and a lightweight, contemporary design to meet utility, DOT and municipal standards. Patented, high-efficiency AccuLED Optics™ systems provide uniform and energy conscious illumination while the optimized construction means long-term life & serviceability.

- Four sizes replacing up to 400W HID
- Lumen range: 3,400 - 44,000; Up to 185 LPW
- 2200K - 5000K CCTs; 70 & AMB CRI options available
- Weight from 7 lbs. (ARCH1) to 16 lbs. (ARCH4)



Archeon

The Archeon roadway luminaire delivers superior optical performance benefits in a familiar cobrahead design. The patented, high-efficiency AccuLED Optics™ system provides uniform and energy conscious illumination and our customer-focused features include single latch tool-less entry for easy installation and maintenance, and industry-leading surge protection and control options.

- Four sizes replacing up to 400W HID
- Lumen range: 2,000 - 37,000, Up to 178 LPW
- Weight: 12 lbs (ARCH-N) - 27 lbs. (ARCH-L)
- 2200K - 5000K CCTs; 70, 80, & AMB CRI options available



Celesteon

The Celesteon high mast luminaire combines high output and efficiency with easy install and affordability. Designed for new and retrofit high-lumen applications, the Celesteon high mast is ideal for highways, interchanges, and facilities in need of high lumen packages with accurate optical control.

- Replacing up to 1000W HID
- Lumen range: Up to 116,100; Up to 175 LPW
- High configurability with 7 optical distributions
- 2700K - 5700K CCTs; 70 CRI



Area / Security Lighting

GLAN Galleon II

The Galleon™ II area & site luminaire sets the standard for high performance outdoor specification lighting. The most configurable area site solution available, it delivers outstanding performance and scalability for virtually any outdoor walkway, roadway, and parking lot light application.

- Choice of 16 high-efficiency, AccuLED Optics™
- Lumen range: 3,300 – 73,500 (33W – 552W)
- 2200K - 5700K CCTs; 70, 80, 90, & AMB CRI options available
- Pole, mast-arm, slipfitter or wall-mounted configurations



USSL Discrete

The USSL Discrete area and site luminaire combines optical uniformity, energy efficiency and long-term reliability in an advanced, modern design. A versatile quick mount standard arm facilitates ease of installation for retrofit, new installations, and offset roadway applications.

- Four sizes replacing up to 1000W HID
- Lumen range: 3,000 - 70,000; Up to 157 LPW
- 4000K - 5000K CCTs; 70 CRI
- Standard universal quick mount arm with universal drill pattern
- Adjustable arm options available for offset roadway applications



Caretaker

The Caretaker roadway & security luminaire delivers high performance and hassle-free operation in a simple, economical design. The Caretaker luminaire is a perfect solution for security lighting, street lighting, area lighting, parking areas, loading platforms, and boat docks.

- Two sizes replacing up to 150W HID
- Lumen range: Up to 12,000; Up to 154 LPW
- 4000K CCTs Standard
- Compatible with NEMA open-bottom refractor; purpose-built acrylic refractor options available
- Optional shield and lenses available



Decorative Lighting

Lexington & Traditionaire

The Lexington and Traditionaire luminaires enhance any street or pathway setting with the heritage charm of traditional lantern style post top lighting. It tastefully complements the architectural and environmental design needs of parks, campuses and residential streets.

- Two styles replacing up to 400W HID
- Lumen range: 2,000–11,000; 140 LPW
- 2700K - 5000K CCTs; 70 & AMB CRI options available
- Lexington lenses are field installable and removable and can be ordered separately
- Available for full cutoff, and non-cutoff post top application requirements



Generation

The Generation Series' traditional character, updated styling and superior photometric performance set the standard for decorative post top luminaires. It is ideal for historic districts, downtown streetscapes, campuses and parks.

- Replaces up to 400W HID
- Lumen range: 5,000–21,000; 181 LPW
- 2200K - 5700K CCTs; 70 & AMB CRI options available
- Fully customizable - 3 cast aluminum bases, spun aluminum or acrylic tops and multiple cast finials.



Underpass Lighting

USSL Petite Wall

The USSL Petite Discrete LED wall mount luminaire is a reliable, energy-efficient lighting solution with advanced LED technology. It offers unparalleled uniformity and energy savings greater than 85%. Its low-profile design and easy installation make it ideal for building entrances, loading docks, and perimeter lighting for pedestrian pathways.

- Replaces up to 250W HID
- Lumen range: 4,300–11,300; 147 LPW
- 3000K - 5000K CCTs; 70 CRI
- Wall Mount or Surface Mount options to fit application requirements
- Emergency Battery Pack options available



Flood Lighting

UFLD Utility Flood

The UFLD floodlight is a cost-effective, robust solution that offers high-efficiency optics, superior thermal management, and energy efficiency. It is suitable for various utility applications including security, building facade, and parking lot lighting.

- Replaces up to 1000W HID
- Lumen range: 3,000–57,800; 163 LPW
- 2200K - 5700K CCTs; 70 CRI
- Slipfitter, Yoke, and Trunnion mount configurations available



IFLD Infrastructure Flood

The IFLD floodlight luminaire combines high-efficiency optics, superior thermal management and energy efficiency in a cost-effective solution. The cutting-edge, robust design incorporates a separate driver compartment for maximum heat dissipation to insure high performance and longevity of both the fixture and optics.

- Replaces up to 1000W HID
- Lumen range: 9,000 - 54,500; 151 LPW
- 2200K - 5700K CCTs; 70, 80, 90, & AMB CRI options available
- Various mounting options including slipfitter, yoke, pendant, and adjustable arm direct pole mount

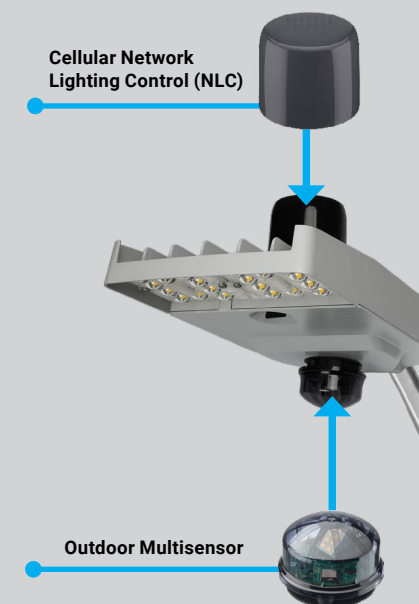


Network Lighting Controls and Smart City Solutions

Trellix Infrastructure

Gain efficiency in street lighting planning and operations using accurate asset performance and fault data, intuitive dashboards, and flexible workflow management tools while controlling street lighting scenes and schedules remotely.

- **INVENTORY MANAGEMENT:** Manage your assets & improve performance
- **BETTER OPERATION & MAINTENANCE:** Efficient fault detection and repair
- **DYNAMIC LIGHTING:** Adjust output with dynamic dimming
- **REVENUE GRADE METERING:** Accurate real-time energy measurement
- **PERFORMANCE ANALYTICS:** Power usage, fault detection, fixture tracking
- **SENSOR ENABLED FUNCTIONALITY:** Collect, monitor, and respond to critical data using the Outdoor Multisensor improving safety, security, and environmental impact while enhancing the space for patrons.



[CLICK OR SCAN TO VIEW MORE](#)



Lighting Product Lines

Ametrix
AtLite
Corelite
Ephesus
Fail-Safe
HALO
HALO Commercial
Invue
iO
Iris
Lumark
Lumark AP
Lumière
McGraw-Edison
Metalux
MWS
Neo-Ray
Portfolio
Pentalux - 3D Printed Lighting
RSA
Shaper
Streetworks
Sure-Lites

Controls Product Lines

Greengate
Fifth Light
Intelligent Lighting Controls

**Connected Lighting Systems
and Smart Spaces Platform**

WaveLinx
Trellix Infrastructure

**Cooper Lighting Solutions**

1121 Highway 74 South
Peachtree City, GA 30269
P: 770-486-4800
www.Cooperlighting.com/lighting

Canada Sales
5925 McLaughlin Road
Mississauga,
Ontario L5R 1B8
P: 905-501-3000
F: 905-501-3172

© 2025 Cooper Lighting Solutions
All Rights Reserved
Printed in USA
Publication No. BR50694724EN
March 21, 2025 4:11 PM

Cooper Lighting Solutions is a
registered trademark.

All other trademarks are property
of their respective owners.

Product availability, specifications,
and compliances are subject to
change without notice.