

Project		Catalog #		Type	
Prepared by		Notes		Date	



Streetworks

Epic

Decorative Pendant Luminaire

Product Certifications & Features



Interactive Menu

- **Ordering Information** page 2
- **Accessory & Mounting Details** page 3
- **Installation Overview** page 9
- **Energy and Performance Data** page 10
- **Optical Distributions** page 12

Product Specifications

OPTICAL

- 8 patented, high-efficiency AccuLED Optic technology options and five waviestream optics
- 9 Color Temperature (CCT) options:
 - » 70 CRI: 2200K, 2700K, 3000K, 4000K, 3500K, 5000K
 - » 80 CRI: 3000K, 4000K
 - » Amber: wildlife-friendly and observatory applications
- 2 versions of field-installable shielding for superior spill light control (discrete LEDs only):
 - » Single-piece snap-on square shields
 - » Multiple-piece configurable vertical perimeter shielding

ELECTRICAL

- 120-277V, 347-480V, 347V, and 480V; 50/60Hz
- Standard 0-10V dimming
- 10kV and 20kV surge protection options in series and parallel versions
- Standard 3-position terminal block
- -40°C to 40°C ambient temperature operating range

PHYSICAL CHARACTERISTICS

- Cast aluminum top housing attaches to cast aluminum mounting arm hub with four fasteners
- One-piece silicone gasket between casting and power wires seals out moisture and contaminants
- Continuous silicone gaskets are used to seal the lens and mechanical structures
- Tall fixture configurations feature a field-serviceable center section which can lift to allow easy access to surge module, PCR, and FADC
- Heavy gauge precision spun aluminum shades offer superior surface finish and consistency in form
- Optional tenon-mount bishop arm for post top retrofits
- Full selection of compatible mounting arms available in accessories section
- Housing finished in 5-stage super TGIC polyester powder coat paint, 2.5 mil nominal thickness
- 7 standard color options. RAL and custom colors also available. Additional charges and lead time apply

CONTROLS

- Optional ANSI C136.10 7-pin receptacle for photocells or Networked Lighting Control (NLC) modules
- Optional Field Adjustable Dimming Control (FADC) module allows for manual adjustment of lumen output and power usage; factory preset to highest output level. Enables a single SKU to cover multiple field applications

- Optional 4-pin Zhaga Book 18 receptacle for integration of onboard sensors with DALI- and D4i enabled drivers

COMPLIANCE

- Meets ANSI C136.25 for IP66 optical enclosure rating
- Meets ANSI C136.22 internal label standard
- Safety listing - Wet Location UL 1598
- 3,000-hours per ASTM B117, with a scribe rating of 7 per ASTM D1654 for standard color finish
- DarkSky approved for 3000K CCT and warmer, with mounting options less than 10° of tilt.
- BAA domestic preference option meets BAA requirements. See [DOMESTIC PREFERENCES](#) website or consult the CLS Domestic Preferences team for more information

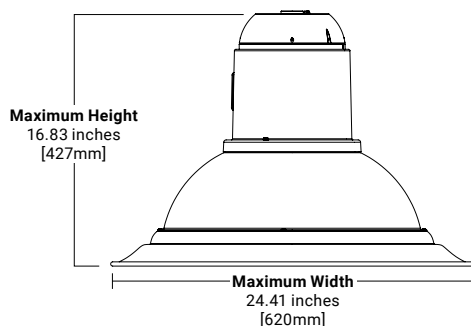
SHIPPING DATA

- Approximate Weight: 26 lbs (tall); 21 lbs (short)
- EPA: 0.70 (tall); 0.50 (short)
- Carton Size: 27 x 27 x 27.5 (in)
- Pallet Size: 30" x 60"
- Cartons/Pallet: 2

WARRANTY

- Five-year limited warranty. Consult website for details. www.cooperlighting.com/legal

Dimensional Details



See configurations for more detailed information.

Ordering Information

SAMPLE ORDER NUMBER: **MEM2-HTN-SA-100-740-U-T4W-TB-0-CL-BZ**

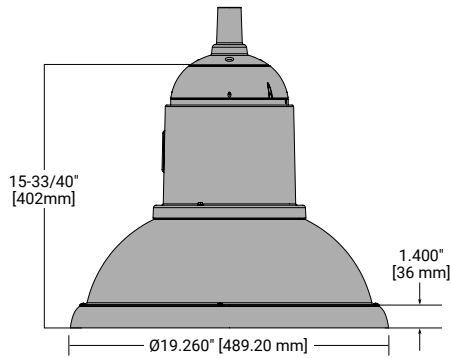
Product Family ^{1,2}	Housing	Optic Type	Light engine/wattage	Color Temp	Voltage	Optic	Shade Type	Trim Type
MEM2 = Epic Modern BAA-MEM2 = Epic Modern Buy American Act Compliant ³ TAA-MEM2 = Epic Modern Contemporary Trade Agreements Act Compliant ³	HSN = Short housing ^{4,5,29} HTN = Tall housing ⁶	SA = Discrete LEDs VA = Visual Comfort (Wavestream)	30 40 50 ⁷ 60 80 ⁷ 90 ⁸ 100 ⁸ 110 130 160 ^{7,9,10} 170 ^{7,9,10}	722 = 70CRI, 2200K ⁸ 727 = 70CRI, 2700K 730 = 70CRI, 3000K 735 = 70CRI, 3500K ⁷ 740 = 70CRI, 4000K 750 = 70CRI, 5000K 830 = 80CRI, 3000K ²⁶ 840 = 80CRI, 4000K ^{8,26} AMB = Amber, 590nm ^{9,23}	U = Universal (120-277V) H = High Voltage (347- 480V) ^{21,24} 8 = 480V ^{21,24} 9 = 347V ²¹ DV = DuraVolt Drivers (277-480V) ^{21,24}	T1 = Type I ⁸ T2R = Type II Roadway ⁸ T2U = Type II Urban ⁸ T3 = Type III ⁸ T4W = Type IV Wide ⁸ T5R = Type V Round ⁸ 5MQ = Type V Square Medium ⁸ 5WQ = Type V Square Wide ⁸ CQ = Wavestream Concentrated ⁷ MQ = Wavestream Medium ⁷ WQ = Wavestream Wide ⁷ RW = Wavestream Rectangular Wide ^{7,9,31} WT4 = Wavestream Type IV ^{7,9,31}	TB = Tall Bell FL = Flute CO = Cone	0 = No trim 1 = Round 2 = Flare

Mounting options	Color	Options (Add as Suffix)	Controls	Accessories (Order Separately)
CL = Standard mounting UA = Retrofit Adapter A ²⁸ UU = Retrofit Adapter B ²⁸	AP = Grey BZ = Bronze BK = Black DP = Dark Platinum GM = Graphite Metallic GN = Hartford Green (premium) WH = White RALXXXX = RAL Number (premium)	10MSP = Parallel 10kV MOV Surge Protective Device 10K = Series 10kV UL 1449 Surge Protective Device 20MSP = Parallel 20kV MOV Surge Protective Device 20K = Series 20kV UL 1449 Surge Protective Device 20KI = Series 20kV UL 1449 Surge Protective Device w light indicator HSS ^{8,12} HA = 50° C High Ambient Temperature ¹¹ CC = Coastal Construction ¹³ CBP-CEC = Cold Weather Emergency Battery Pack, CEC Compliant (Ambient Temp, -20° to 40°C) ^{14,15,22} XTB = No Terminal Block W = External wire leads 20ft Dxxxxx = DOT configuration - contact factory quotes team Uxxxxx = Utility configuration - contact factory quotes team	PR = NEMA 3-PIN Twistlock Photocontrol Receptacle ^{16,29} PR7 = NEMA 7-Pin Twistlock Photocontrol Receptacle ^{16,29} PSC = Photocontrol Shorting Cap included ¹⁷ NPC = NEMA Photocontrol, Multi-Tap, included ¹⁷ LLPC = Long Life Photocontrol included ¹⁷ FADC = Field Adjustable Dimming Controller ^{16,18} DALI = DALI Driver(s) - check with factory quotes team for availability D4 = D4i driver(s) - check with factory quotes team for availability Z4 = 4-pin DALI receptacle Zhaga Book ¹⁹ WPS2WH = WaveLinx Wireless Sensor, 7'-15' mounting height ^{19,27} WPS4WH = WaveLinx Wireless Sensor, 15'-40" mounting height ^{19,27} WLS2WH = WaveLinx Wireless Sensor with Bluetooth, 7'-15' mounting height ¹⁹ WLS4WH = WaveLinx Wireless Sensor with Bluetooth, 15'-40" mounting height ¹⁹ ZSC = Zhaga Book 18 shorting cap ²⁰	OA1223 = 10kV Surge Module PBHS = House Side Shield (Single) ^{8,25} PBPF = Perimeter Fence Shield Kit (4 Pieces) OA/RA1013 = Photocontrol Shorting Cap OA/RA1014 = NEMA Photocontrol - 120V OA/RA1016 = NEMA Photocontrol - Multi-Tap OA/RA1027 = NEMA Twistlock Photocontrol - 480V
Mounting Accessories (Order Separately)				
MODERN SA6098-XX = Flat Bracket Bishop Wall Mount Arm ²⁶ SA6099-XX = Flat Bracket Bishop Pole Mount Arm ²⁶ SA6100-XX = Post Top Tenon Mount Bishop Arm (for 3" OD Tenon) ²⁶ SA6101-XX = Bishop Wall Mount Arm SA6102-XX = Bishop Wall Mount Arm with Cross Rod SA6103-XX = Traditional Wall Mount Arm SA6104-XX = Traditional Wall Mount Arm with 45° Straps SA6105-XX = Bishop Single Pole Mount Arm ³⁰ SA6106-XX = Bishop Single Pole Mount Arm with Cross Rod ³⁰ SA6107-XX = Bishop Twin Pole Mount Arm ³⁰ SA6108-XX = Bishop Twin Pole Mount Arm with Cross Rods ³⁰ SA6109-XX = Traditional Single Pole Mount Arm ³⁰ SA6110-XX = Traditional Single Pole Mount Arm with Rounded Upper Bar ³⁰ SA6111-XX = Traditional Single Pole Mount Arm with Rounded Lower Bar ³⁰ SA6112-XX = Traditional Single Pole Mount Arm with 45° Upper Bar ³⁰ SA6113-XX = Traditional Single Pole Mount Arm with 45° Lower Bar ³⁰ SA6114-XX = Traditional Single Pole Mount Arm with 45° Upper Strap ³⁰ SA6116-XX = Traditional Twin Pole Mount Arm ³⁰ SA6117-XX = Traditional Twin Pole Mount Arm with Rounded Upper Bars ³⁰ SA6118-XX = Traditional Twin Pole Mount Arm with Rounded Lower Bars ³⁰ SA6119-XX = Traditional Twin Pole Mount Arm with 45° Upper Bars ³⁰ SA6120-XX = Traditional Twin Pole Mount Arm with 45° Lower Bars ³⁰ SA6121-XX = Traditional Twin Pole Mount Arm with 45° Upper Straps ³⁰ SA6122-XX = Mast Arm Adapter ³⁰				

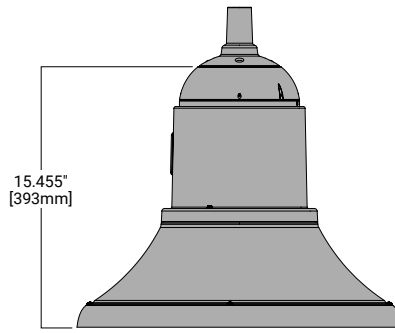
- NOTES:**
- Customer is responsible for engineering analysis to confirm pole and fixture compatibility for all applications. Refer to our white paper WPS13001EN for additional support information
 - DesignLights Consortium® Qualified. Refer to www.designlights.org Qualified Products List under Family Models for details
 - Only product configurations with these prefixes are built to be compliant with the Buy America Act of 1933 (BAA) or Buy America Build America Act (BABA). Please see the Compliance section in Product Specifications for more detail
 - Not available with PR or PR7 Receptacle or FADC
 - Limited access for field service
 - Will include sensor window if PR or PR7 options are selected
 - Not available with SA optic (discrete)
 - Not available with VA optic (Wavestream)
 - Not available with HA (High Ambient) option
 - Not available with RW or WT4 wavestream
 - Not available in 160W or 170W
 - Not available with T1, T5R, 5MQ, or 5WQ optics
 - Coastal construction finish salt spray tested to over 5,000-hours per ASTM B117, with a scribe rating of 9 per ASTM D1654
 - Must choose XTB (no terminal block)
 - Only offered in 30 and 40 watts
 - Not available with HSN (Short Housing) option
 - Must select PR or PR7
 - Not available with PR7 option
 - Must select DALI or D4 driver option
 - Must select Z4
 - Available in 50W and above for SA optic only; not available in VA optics
 - Only offered with U (120-277V)
 - For VA Optic, Amber only offered in 30W (RW and WT4) & 50W (CQ, MQ, WQ). For SA Optic, Amber only offered in 30W (2 SQ) & 60W (3 SQ)
 - Only for use with 480V Wye systems. Per NEC, not for use with ungrounded systems, impedance grounded systems or corner grounded systems (common High Leg Delta and Three Phase Corner Grounded Delta Systems)
 - Not available/not compatible with 5WQ optic
 - Check with factory quotes team for availability and lead time
 - WAC Gateway required to enable field-configurability: Order WAC-PoE and WPOE-120 (10V to PoE injector) power supply if needed. WAC not required for LC Bluetooth sensors
 - Factory installed retrofit adaptor available for installation with existing competitor arms. Consult your Cooper Lighting Solutions representative for details
 - NEMA receptacle (PR or PR7) must be mounted on arm if HSN (short housing) is selected
 - If NEMA receptacle is to be mounted on arm, add -PR or -PR7 to arm (ex. SA6105-BK-PR7)

Configurations

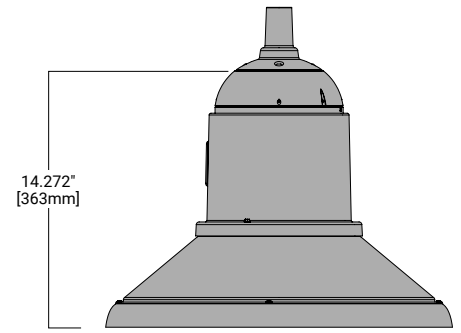
ROUND TRIM



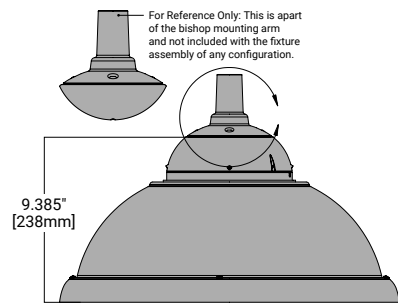
Tall Housing, Bell Shade, Round Trim



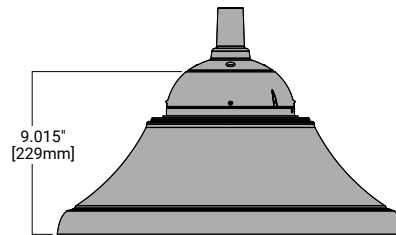
Tall Housing, Flute Shade, Round Trim



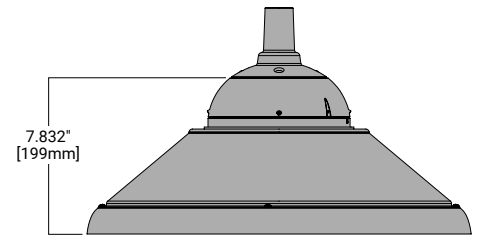
Tall Housing, Cone Shade, Round Trim



Short Housing, Bell Shade, Round Trim

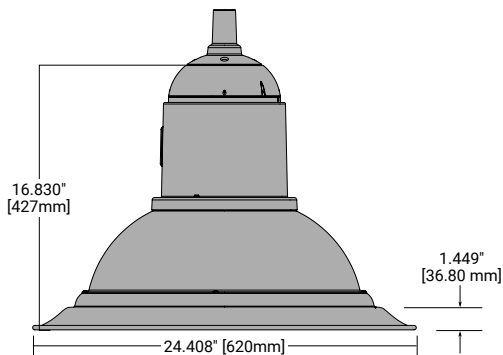


Short Housing, Flute Shade, Round Trim

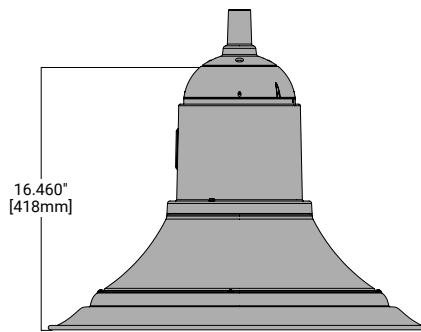


Short Housing, Cone Shade, Round Trim

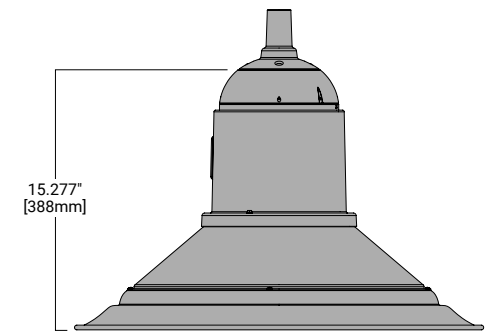
FLARE TRIM



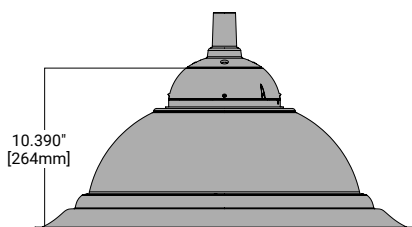
Tall Housing, Bell Shade, Flare Trim



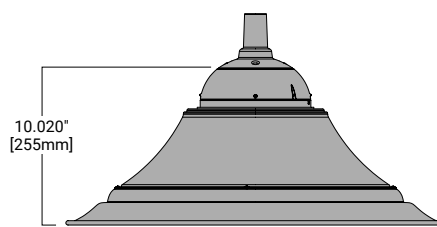
Tall Housing, Flute Shade, Flare Trim



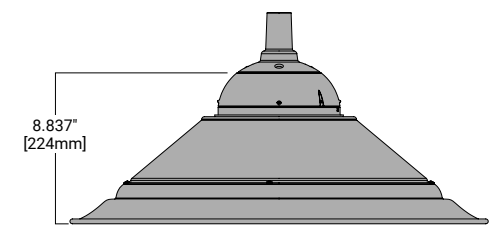
Tall Housing, Cone Shade, Flare Trim



Short Housing, Bell Shade, Flare Trim

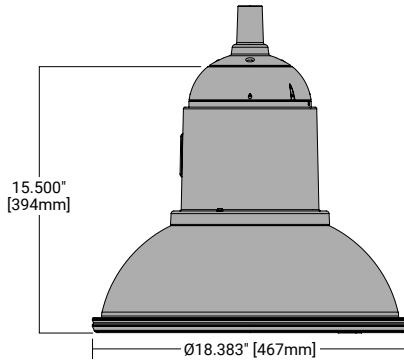


Short Housing, Flute Shade, Flare Trim

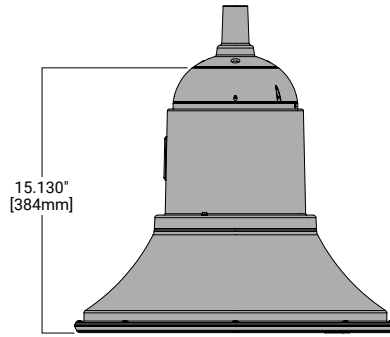


Short Housing, Cone Shade, Flare Trim

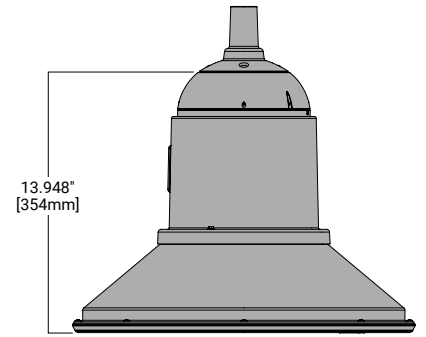
NO TRIM



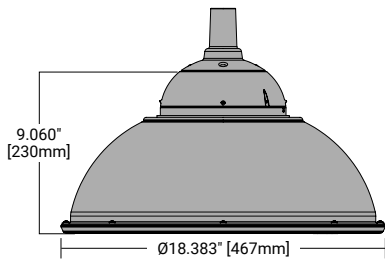
Tall Housing, Bell Shade, No Trim



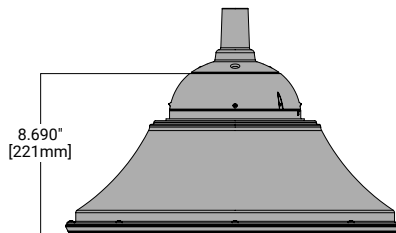
Tall Housing, Flute Shade, No Trim



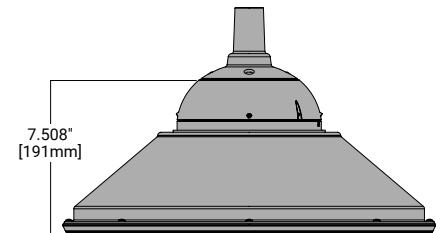
Tall Housing, Cone Shade, No Trim



Short Housing, Bell Shade, No Trim



Short Housing, Flute Shade, No Trim

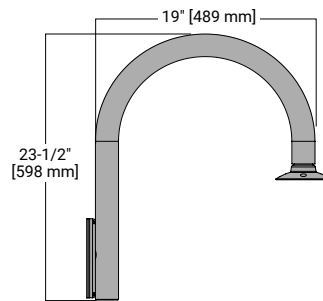


Short Housing, Cone Shade, No Trim

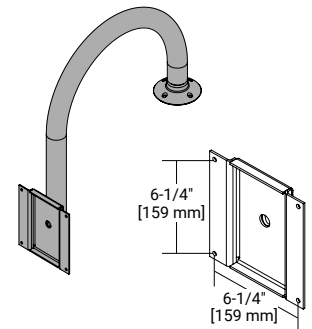
Mounting Details

DESCRIPTION

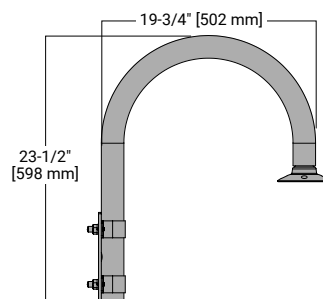
FLAT BRACKET BISHOP WALL MOUNT ARM



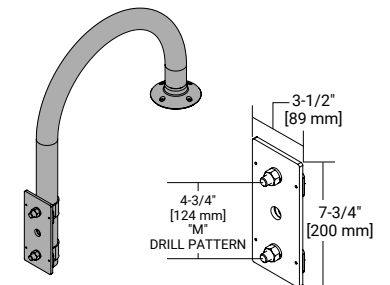
SA6098-XX
E.P.A: 0.50 | Weight: 6lbs



FLAT BRACKET BISHOP POLE MOUNT ARM



SA6099-XX
E.P.A: 0.50 | Weight: 6lbs

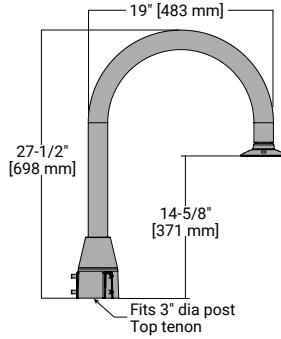


Mounting Details

DESCRIPTION

POST TOP TENON MOUNT BISHOP ARM

Slipfits over 3" OD post
top tenon



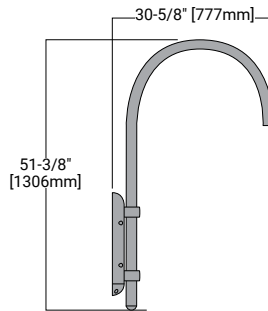
SA6100
E.P.A: 0.90 | Weight: 8lbs

STANDARD VERSIONS

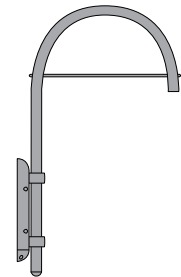
CROSS ROD VERSIONS

BISHOP WALL MOUNT ARM

Mounts to wall with four stainless
steel lag bolts (provided by other).



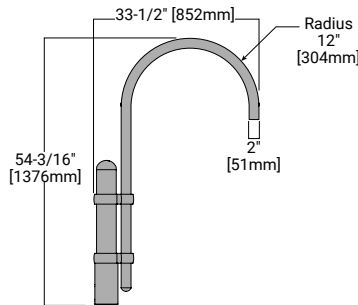
SA6101 (Modern)
E.P.A: 0.90 | Weight: 16 lbs.



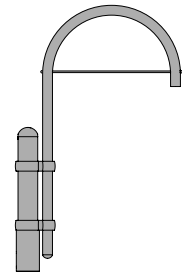
SA6102 (Modern)
E.P.A: 0.95 | Weight: 17 lbs.

BISHOP SINGLE POLE MOUNT ARM

Slipfits over 4" round straight
pole, or 4" O.D. by 6" tall round
tenon.



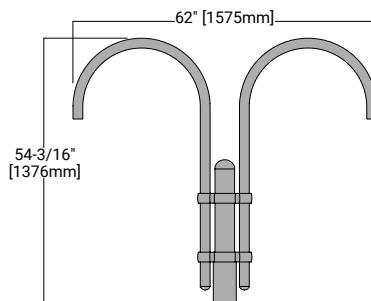
SA6105 (Modern)
E.P.A: 0.92 | Weight: 24 lbs.



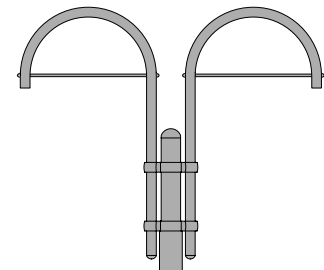
SA6106 (Modern)
E.P.A: 0.98 | Weight: 25 lbs.

BISHOP TWIN POLE MOUNT ARM

Slipfits over 4" round straight
pole, or 4" O.D. by 6" tall round
tenon.



SA6107 (Modern)
E.P.A: 1.43 | Weight: 37 lbs.

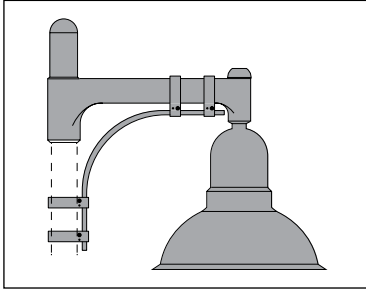


SA6108 (Modern)
E.P.A: 1.55 | Weight: 39 lbs.

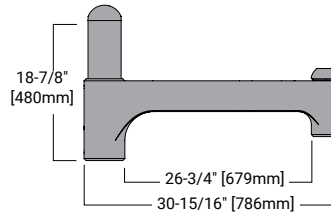
Mounting Accessories

DESCRIPTION

Slipfits over 4" round straight pole, or 4" O.D. by 6" tall round tenon.



SINGLE POLE

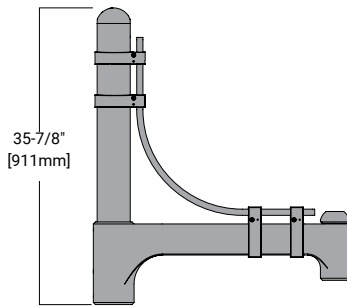


TRADITIONAL SINGLE POLE MOUNT ARM

SA6109 (Modern)

E.P.A: 0.86 | Weight: 20 lbs.

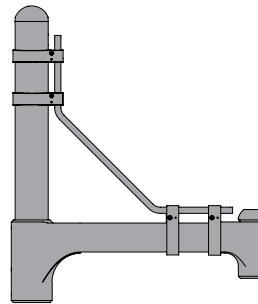
ADORNMENT ABOVE



TRADITIONAL SINGLE POLE MOUNT ARM WITH ROUNDED UPPER BAR

SA6110 (Modern)

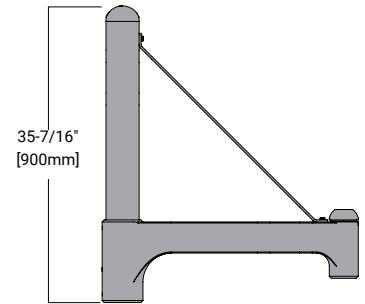
E.P.A: 1.4 | Weight: 28 lbs.



TRADITIONAL SINGLE POLE MOUNT ARM WITH 45° UPPER BAR

SA6112 (Modern)

E.P.A: 1.38 | Weight: 28 lbs.

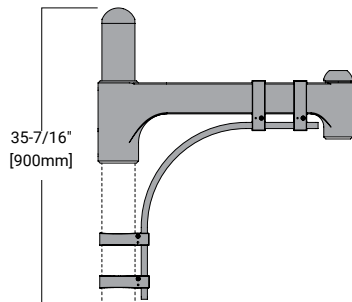


TRADITIONAL SINGLE POLE MOUNT ARM WITH 45° UPPER STRAP

SA6114 (Modern)

E.P.A: 1.17 | Weight: 24 lbs.

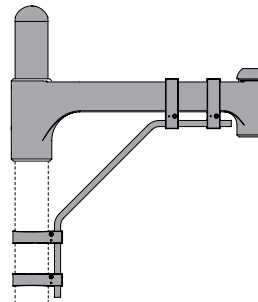
ADORNMENT BELOW



TRADITIONAL SINGLE POLE MOUNT ARM WITH ROUNDED LOWER BAR

SA6111 (Modern)

E.P.A: 1.16 | Weight: 25 lbs.



TRADITIONAL SINGLE POLE MOUNT ARM WITH 45° LOWER BAR

SA6113 (Modern)

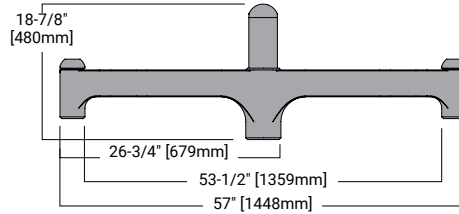
E.P.A: 1.17 | Weight: 24 lbs.

Mounting Accessories

DESCRIPTION

Slipfits over 4" round straight pole, or 4" O.D. by 6" tall round tenon.

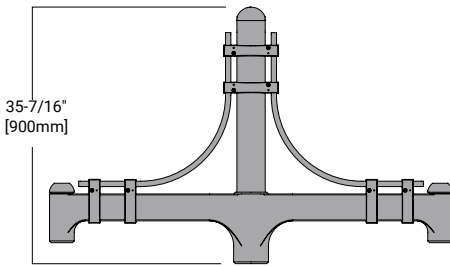
TWIN POLE



TRADITIONAL TWIN POLE MOUNT ARM

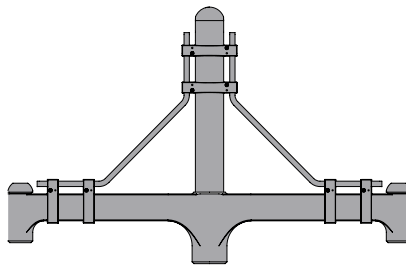
SA6116 (Modern)
E.P.A: 1.44 | Weight: 30 lbs.

ADORNMENT ABOVE



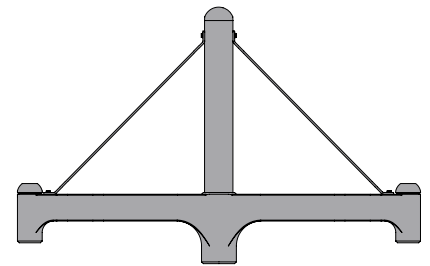
TRADITIONAL TWIN POLE MOUNT ARM WITH ROUNDED UPPER BARS

SA6117 (Modern)
E.P.A: 2.28 | Weight: 43 lbs.



TRADITIONAL TWIN POLE MOUNT ARM WITH 45° UPPER BARS

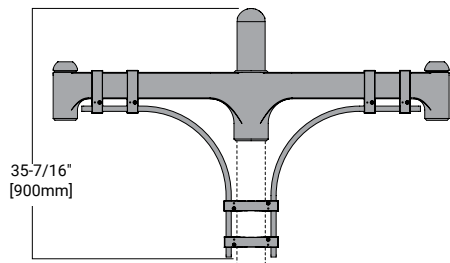
SA6119 (Modern)
E.P.A: 2.24 | Weight: 43 lbs.



TRADITIONAL TWIN POLE MOUNT ARM WITH 45° UPPER STRAPS

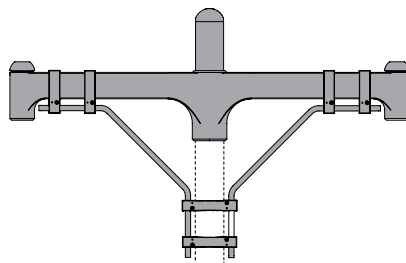
SA6121 (Modern)
E.P.A: 1.81 | Weight: 37 lbs.

ADORNMENT BELOW



TRADITIONAL TWIN POLE MOUNT ARM WITH ROUNDED LOWER BARS

SA6118 (Modern)
E.P.A: 2.04 | Weight: 40 lbs.



TRADITIONAL TWIN POLE MOUNT ARM WITH 45° LOWER BARS

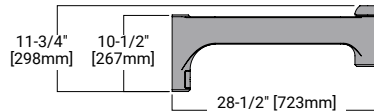
SA6120 (Modern)
E.P.A: 2.0 | Weight: 40 lbs.

Mounting Accessories

DESCRIPTION

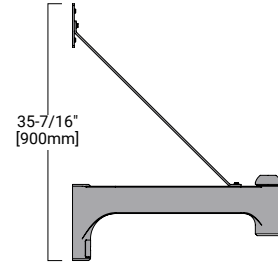
Mounts to wall with four stainless steel lag bolts (provided by other).

WALL MOUNT



TRADITIONAL WALL MOUNT ARM

SA6103 (Modern)
Weight: 17 lbs.

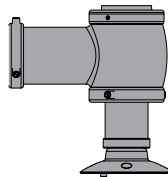


TRADITIONAL WALL MOUNT ARM

WITH 45° STRAP
SA6104 (Modern)
Weight: 18 lbs.

ADAPTER

Secures fixture to nominal 2" pipe (2-3/8" horizontal O.D.)

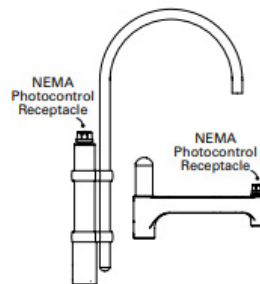


MAST ARM ADAPTER

SA6122 (Modern)
Weight: 4 lbs.

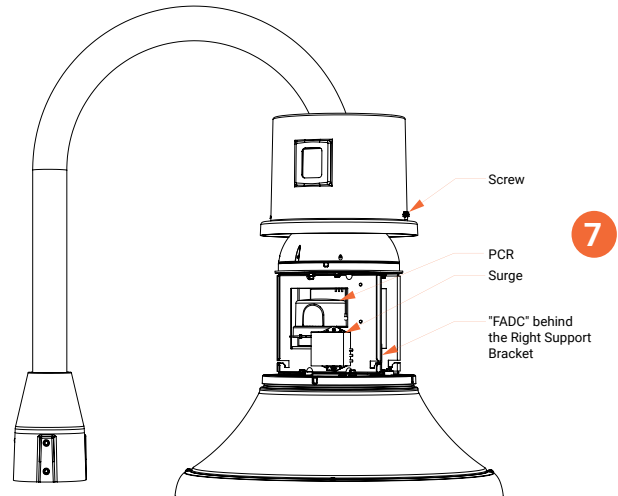
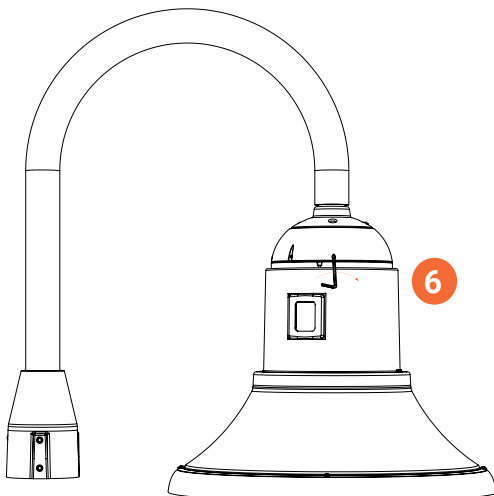
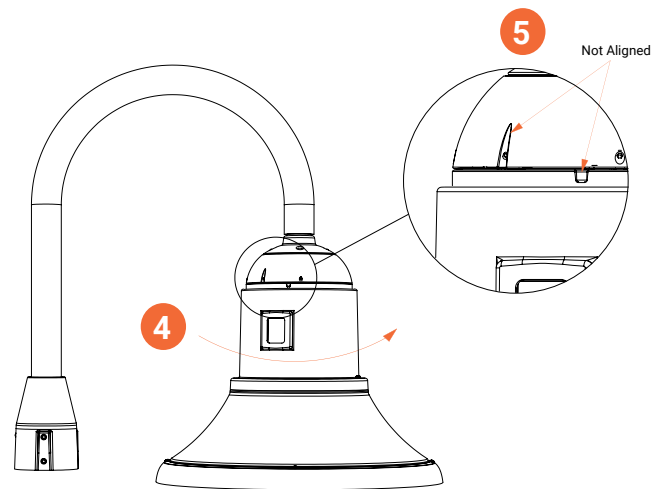
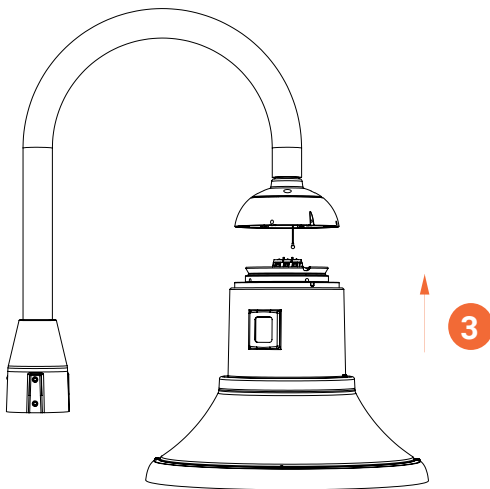
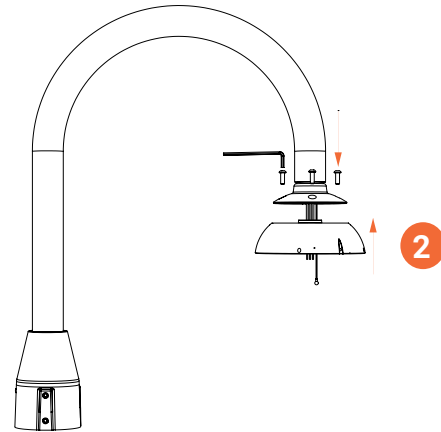
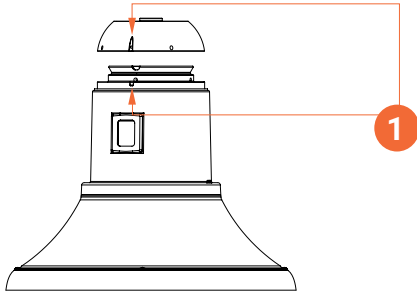
SHORT HOUSING PCR MOUNTING

PCR mounts inside fixture of Tall Housing
PCR must mount outside of fixture (as pictured) with Short Housing



Installation Overview

1. Align grooves and remove rotate cover.
2. Install rotate cover to arm. Torque to 40 in-lbs.
3. Hang fixture by cable and make electrical connections.
4. Push excess wire into bishop pole. Align grooves.
5. Lift fixture and twist until grooves are not aligned and STREET SIDE LABEL on bottom of fixture is towards the street.
6. Tighten set screws (4). Torque to 15 in-lbs or about equal to the torque using the short end of the allen wrench. Do Not Over Tighten.
7. Service cover. Loosen captive screws and lift to service the Surge, PCR, and FADC.



Energy and Performance Data

SA	Nominal Power (Watts)	30	40	60	90	100	110	130
	Actual Power (Watts)	33	44	61	90	101	113	134
# light squares		1	1	2	2	2	3	3
Input Current @ 120V (A)		0.275	0.368	0.506	0.751	0.840	0.947	1.117
Input Current @ 277V (A)		0.122	0.161	0.227	0.328	0.364	0.421	0.488
Input Current @ 347V (A)		0.097	0.128	0.174	0.260	0.290	0.342	0.402
Input Current @ 480V (A)		0.073	0.095	0.128	0.189	0.210	0.249	0.290

Discrete LED Arrays (SA) 70 CRI, 3000K								
T1	Lumens	4853	6125	9148	12574	13470	16530	18680
	Lumens per Watt	148	139	150	140	133	146	139
	BUG Rating	B2-U0-G2	B2-U0-G2	B3-U0-G3	B3-U0-G3	B3-U0-G3	B3-U0-G3	B3-U0-G3
T2R	Lumens	4699	5931	8858	12176	13043	16006	18088
	Lumens per Watt	143	135	145	135	129	142	135
	BUG Rating	B1-U0-G1	B1-U0-G1	B2-U0-G2	B3-U0-G3	B3-U0-G3	B3-U0-G3	B3-U0-G3
T2U	Lumens	4711	5946	8880	12206	13076	16046	18133
	Lumens per Watt	144	135	146	136	129	142	135
	BUG Rating	B1-U0-G1	B2-U0-G2	B2-U0-G2	B3-U0-G3	B3-U0-G3	B3-U0-G3	B3-U0-G3
T3	Lumens	4690	5919	8840	12151	13017	15974	18051
	Lumens per Watt	143	135	145	135	129	141	135
	BUG Rating	B1-U0-G1	B1-U0-G1	B2-U0-G2	B2-U0-G2	B2-U0-G2	B3-U0-G3	B3-U0-G3
T4W	Lumens	4605	5813	8681	11932	12782	15686	17726
	Lumens per Watt	140	132	142	133	127	139	132
	BUG Rating	B1-U0-G1	B1-U0-G1	B2-U0-G2	B2-U0-G2	B2-U0-G2	B3-U0-G3	B3-U0-G3
T5R	Lumens	4788	6043	9025	12405	13289	16307	18428
	Lumens per Watt	146	137	148	138	132	144	138
	BUG Rating	B3-U0-G1	B3-U0-G1	B3-U0-G2	B4-U0-G2	B4-U0-G2	B4-U0-G2	B4-U0-G2
5MQ	Lumens	4852	6124	9145	12571	13467	16525	18675
	Lumens per Watt	148	139	150	140	133	146	139
	BUG Rating	B2-U0-G1	B3-U0-G1	B3-U0-G1	B3-U0-G2	B4-U0-G2	B4-U0-G2	B4-U0-G2
5WQ	Lumens	4828	6093	9100	12508	13400	16443	18582
	Lumens per Watt	147	138	149	139	133	146	139
	BUG Rating	B3-U0-G1	B3-U0-G1	B3-U0-G2	B4-U0-G2	B4-U0-G2	B4-U0-G2	B4-U0-G2

Discrete LED Arrays (SA) 70 CRI, 4000K								
T1	Lumens	5146	6495	9700	13333	14283	17527	19807
	Lumens per Watt	157	148	159	148	141	155	148
	BUG Rating	B2-U0-G2	B2-U0-G2	B3-U0-G3	B3-U0-G3	B3-U0-G3	B3-U0-G3	B4-U0-G4
T2R	Lumens	4983	6289	9393	12910	13830	16972	19179
	Lumens per Watt	152	143	154	143	137	150	143
	BUG Rating	B1-U0-G1	B2-U0-G2	B2-U0-G2	B3-U0-G3	B3-U0-G3	B3-U0-G3	B3-U0-G3
T2U	Lumens	4995	6305	9416	12943	13865	17014	19227
	Lumens per Watt	152	143	154	144	137	151	143
	BUG Rating	B1-U0-G1	B2-U0-G2	B2-U0-G2	B3-U0-G3	B3-U0-G3	B3-U0-G3	B3-U0-G3
T3	Lumens	4973	6277	9374	12884	13802	16937	19141
	Lumens per Watt	152	143	154	143	137	150	143
	BUG Rating	B1-U0-G1	B1-U0-G1	B2-U0-G2	B2-U0-G2	B2-U0-G2	B3-U0-G3	B3-U0-G3
T4W	Lumens	4883	6163	9205	12652	13554	16632	18795
	Lumens per Watt	149	140	151	141	134	147	140
	BUG Rating	B1-U0-G1	B1-U0-G1	B2-U0-G2	B2-U0-G2	B2-U0-G2	B3-U0-G3	B3-U0-G3
T5R	Lumens	5077	6408	9569	13153	14090	17291	19540
	Lumens per Watt	155	146	157	146	140	153	146
	BUG Rating	B3-U0-G1	B3-U0-G1	B3-U0-G2	B4-U0-G2	B4-U0-G2	B4-U0-G2	B4-U0-G2
5MQ	Lumens	5145	6493	9697	13329	14279	17522	19802
	Lumens per Watt	157	148	159	148	141	155	148
	BUG Rating	B2-U0-G1	B3-U0-G1	B3-U0-G2	B4-U0-G2	B4-U0-G2	B4-U0-G2	B4-U0-G2
5WQ	Lumens	5119	6461	9649	13263	14208	17435	19703
	Lumens per Watt	156	147	158	147	141	154	147
	BUG Rating	B3-U0-G1	B3-U0-G1	B3-U0-G2	B4-U0-G2	B4-U0-G2	B4-U0-G2	B4-U0-G2

VA	Nominal Power (Watts)	30	40	50	60	80	110	130	160	170
	Actual Power (Watts)	28	39	49	59	78	106	130	156	170
Input Current @ 120V (A)		0.238	0.331	0.405	0.493	0.676	0.861	1.090	1.301	1.529
Input Current @ 277V (A)		0.107	0.148	0.176	0.221	0.285	0.388	0.490	0.576	0.666
Input Current @ 347V (A)		0.087	0.117	0.139	0.169	0.218	0.294	0.374	0.447	0.521
Input Current @ 480V (A)		0.065	0.086	0.102	0.124	0.158	0.214	0.274	0.324	0.376

Wavestream Visual Comfort (VA) 70 CRI, 3000K										
WQ	Lumens	2903	4028	4982	6077	7655	9988	14959	17546	19139
	Lumens per Watt	104	104	102	103	98	94	115	112	113
	BUG Rating	B2-U0-G1	B2-U0-G2	B3-U0-G2	B3-U0-G2	B3-U0-G3	B3-U0-G3	B4-U0-G3	B4-U0-G3	B4-U0-G3
MQ	Lumens	3233	4486	5549	6768	8526	11125	14714	17257	18825
	Lumens per Watt	115	116	113	115	109	105	113	111	111
	BUG Rating	B2-U0-G1	B2-U0-G2	B2-U0-G2	B3-U0-G2	B3-U0-G2	B3-U0-G3	B3-U0-G3	B4-U0-G3	B4-U0-G3
CQ	Lumens	2255	3129	3871	4721	5948	7760	11813	13856	15114
	Lumens per Watt	81	81	79	80	76	73	91	89	89
	BUG Rating	B1-U0-G1	B1-U0-G1	B2-U0-G1	B2-U0-G1	B2-U0-G1	B3-U0-G1	B3-U0-G2	B3-U0-G2	B3-U0-G2
WT4	Lumens	2970	4025	4978	5798	7297	9162	12996	-	-
	Lumens per Watt	106	104	102	98	94	86	100	-	-
	BUG Rating	B1-U0-G2	B2-U0-G3	B2-U0-G3	B2-U0-G3	B3-U0-G3	B3-U0-G4	B2-U0-G3	-	-
RW	Lumens	2391	3240	4008	4668	5875	7377	13307	-	-
	Lumens per Watt	85	84	82	79	75	70	102	-	-
	BUG Rating	B2-U0-G2	B2-U0-G2	B3-U0-G3	B3-U0-G3	B3-U0-G3	B3-U0-G3	B3-U0-G3	-	-

Wavestream Visual Comfort (VA) 70 CRI, 4000K										
WQ	Lumens	3072	4262	5272	6430	8101	10569	15820	18555	20240
	Lumens per Watt	110	110	108	109	104	100	122	119	119
	BUG Rating	B2-U0-G1	B2-U0-G2	B3-U0-G2	B3-U0-G2	B3-U0-G3	B3-U0-G3	B4-U0-G3	B4-U0-G3	B4-U0-G4
MQ	Lumens	3421	4747	5872	7162	9023	11772	15560	18250	19908
	Lumens per Watt	122	123	120	121	116	111	120	117	117
	BUG Rating	B2-U0-G1	B2-U0-G2	B3-U0-G2	B3-U0-G2	B3-U0-G3	B3-U0-G3	B4-U0-G3	B4-U0-G3	B4-U0-G3
CQ	Lumens	2387	3311	4096	4996	6294	8212	12493	14653	15984
	Lumens per Watt	85	86	84	85	81	77	96	94	94
	BUG Rating	B1-U0-G1	B1-U0-G1	B2-U0-G1	B2-U0-G1	B2-U0-G1	B3-U0-G1	B3-U0-G2	B3-U0-G2	B3-U0-G2
WT4	Lumens	3142	4259	5268	6136	7722	9696	13744	-	-
	Lumens per Watt	112	110	108	104	99	91	106	-	-
	BUG Rating	B1-U0-G2	B2-U0-G3	B2-U0-G3	B2-U0-G3	B3-U0-G3	B3-U0-G4	B2-U0-G3	-	-
RW	Lumens	2530	3429	4241	4940	6217	7806	14073	-	-
	Lumens per Watt	90	89	87	84	80	74	108	-	-
	BUG Rating	B2-U0-G2	B2-U0-G2	B3-U0-G3	B3-U0-G3	B3-U0-G3	B3-U0-G3	B4-U0-G4	-	-

Lumen Maintenance

SA Ambient Temperature	25,000 hours*	50,000 hours*	60,000 hours*	100,000 hours*	L70*
25°C	98.1%	96.3%	95.5%	92.7%	>102,000
40°C	98.0%	96.0%	95.2%	92.2%	>102,000
50°C	97.9%	95.7%	94.9%	91.6%	>102,000

Note: * Calculations provided in accordance with IES TM-21-11 using the configuration resulting in highest LED temperature.

VA Ambient Temperature	25,000 hours*	50,000 hours*	60,000 hours*	100,000 hours*	L70*
25°C	97.5%	96.3%	95.8%	93.9%	>78000
40°C	97.2%	95.9%	95.3%	93.2%	>78000
50°C	97.2%	95.8%	95.3%	93.1%	>78000

Note: * Calculations provided in accordance with IES TM-21-11 using the configuration resulting in highest LED temperature.

Lumen Multiplier

Ambient Temperature	Lumen Multiplier
0°C	1.02
10°C	1.01
25°C	1.00
40°C	0.99
50°C	0.97

FADC Settings

FADC Position	Percent of Typical Lumen Output
1	25%
2	48%
3	56%
4	65%
5	75%
6	80%
7	85%
8	90%
9	95%
10	100%

Note: +/-5% typical value

LED Color Multipliers

SA	CCT					
	2200	2700	3000	3500	4000	5000
CRI	Lumen Multiplier*					
70	0.860	0.923	0.943	-	1.000	0.987
80	-	-	0.873	-	0.949	-

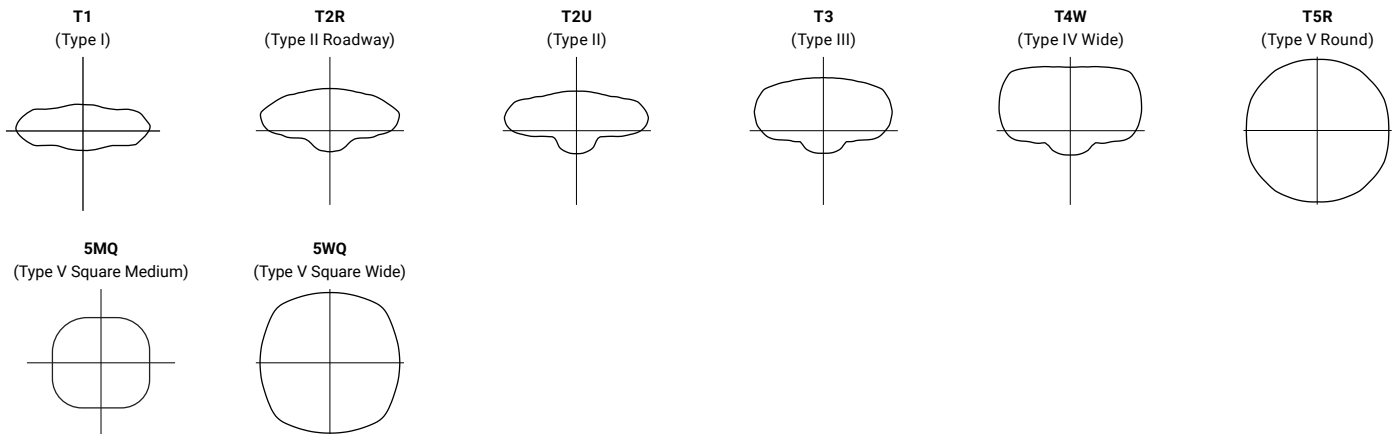
Note: * Estimates, refer to IES files for accuracy.

VA	CCT					
	2200	2700	3000	3500	4000	5000
CRI	Lumen Multiplier*					
70	-	0.839	0.946	0.946	1.000	1.031
80	-	-	0.790	-	-	-

Note: * Estimates, refer to IES files for accuracy.

Optical Distributions

Discrete LED Arrays (SA)



Wavestream Visual Comfort (VA)

