

Project		Catalog #		Type	
Prepared by		Notes		Date	



# Streetworks

## Archeon Contemporary Size 4

Roadway Luminaire

### Product Certifications & Features



### Interactive Menu

- **Ordering Information** page 2
- **Accessory & Mounting Details** page 3
- **Installation Overview** page 4
- **Energy and Performance Data** page 5
- **Optical Distributions** page 7

## Product Specifications

### OPTICAL

- 5 patented AccuLED high efficiency roadway and area optical distributions
- 7 color temperature options
  - » 70 CRI: 2200K, 2700K, 3000K, 4000K, 5000K
  - » Amber: wildlife-friendly and observatory applications
- 2 versions of field-installable shielding for superior spill light control
  - » Single-piece snap-on square shields
  - » Multiple-piece configurable vertical perimeter shielding

### ELECTRICAL

- 120-277V, 240-480V, 347V, and 480V; 50/60Hz
- Standard 0-10V dimming
- 10kV and 20kV surge protection options with series or parallel configurations
- -40°C to 40°C ambient temperature operating range
- Standard 3-position terminal block

### PHYSICAL CHARACTERISTICS

- Heavy duty die-cast aluminum housing and door
- Lineman-friendly features standard for easy maintenance. Includes tool-less entry and 3-position terminal block with easy access for service wires
- Housing finished in 5-stage super TGIC polyester powder coat paint, 2.5 mil nominal thickness

- 5 standard color options. RAL and custom colors also available. Additional charges and lead time apply
- Two-bolt slipfitter with cast-in pipe stop and 2.5° leveling steps
- Stamped metal birdguard seals entry for 1-1/4" to 2" (1-5/8" to 2-3/8" OD) mounting arms

### CONTROLS

- Standard ANSI C136.10 7-pin receptacle for photocells or Networked Lighting Control (NLC) modules
- Optional Field Adjustable Dimming Control (FADC) module allows for manual adjustment of lumen output and power usage; factory preset to highest output level. Enables a single SKU to cover multiple field applications
- Optional 4-pin Zhaga Book 18 receptacle for integration of onboard sensors with DALI- and D4i-enabled drivers
- Fully compatible with CLS Trellix Infrastructure UNB (Ultra Narrow Band) and cellular network lighting controls platforms. Enables wireless collection of luminaire performance and status data and asset management for luminaires installed in the field

### COMPLIANCE

- Meets ANSI C136.25 for IP66 Optical enclosure rating
- Meets ANSI C136.31 for 3G luminaire vibration. Customer is responsible for engineering analysis to confirm pole and fixture compatibility for all applications

- Meets ANSI C136.15 for luminaire field identification label standard
- Meets ANSI C136.22 internal label standard
- Safety listing - Wet Location UL 1598
- 3,000-hours per ASTM B117, with a scribe rating of 7 per ASTM D1654 for standard color finish
- DarkSky approved for 3000K CCT and warmer, with mounting options less than 10° of tilt
- DLC and DLC Premium listed- visit [designlights.org](http://designlights.org) to confirm listed variations
- BAA domestic preference option meets BAA requirements. See [DOMESTIC PREFERENCES](http://DOMESTIC PREFERENCES) website or consult the CLS Domestic Preferences team for more information
- BABA domestic preference option meets BABA requirements. BABA products meet minimum government compliance requirements for Buy America Build America standard, part of the [Infrastructure and Investment Jobs Act \(IIJA\)](http://Infrastructure and Investment Jobs Act (IIJA)). Individual government agencies may have more stringent compliance standards

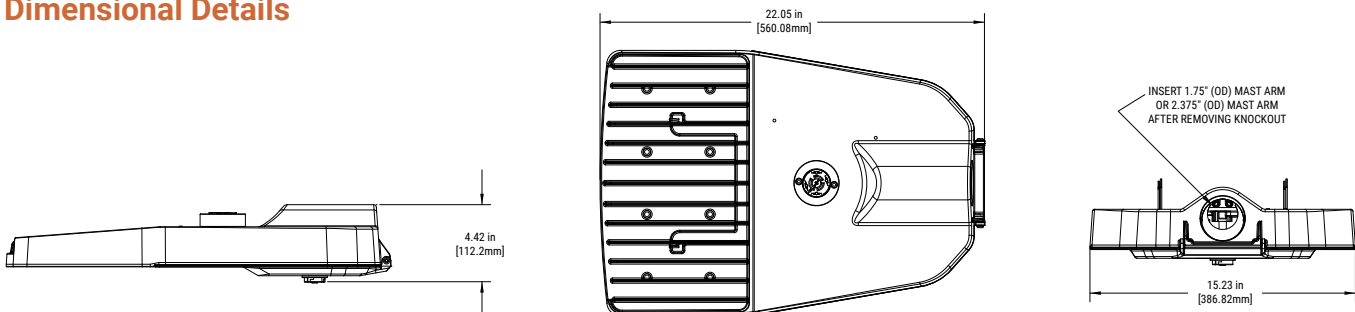
### SHIPPING DATA

- Approximate Weight: 16 lbs
- EPA: 0.53
- Carton Size: 24.75" x 7.37 x 18.31"
- Pallet Size: 48" x 40"
- Cartons/Pallet: 20

### WARRANTY

- Five-year limited warranty. Consult website for details. [www.cooperlighting.com/legal](http://www.cooperlighting.com/legal)

## Dimensional Details

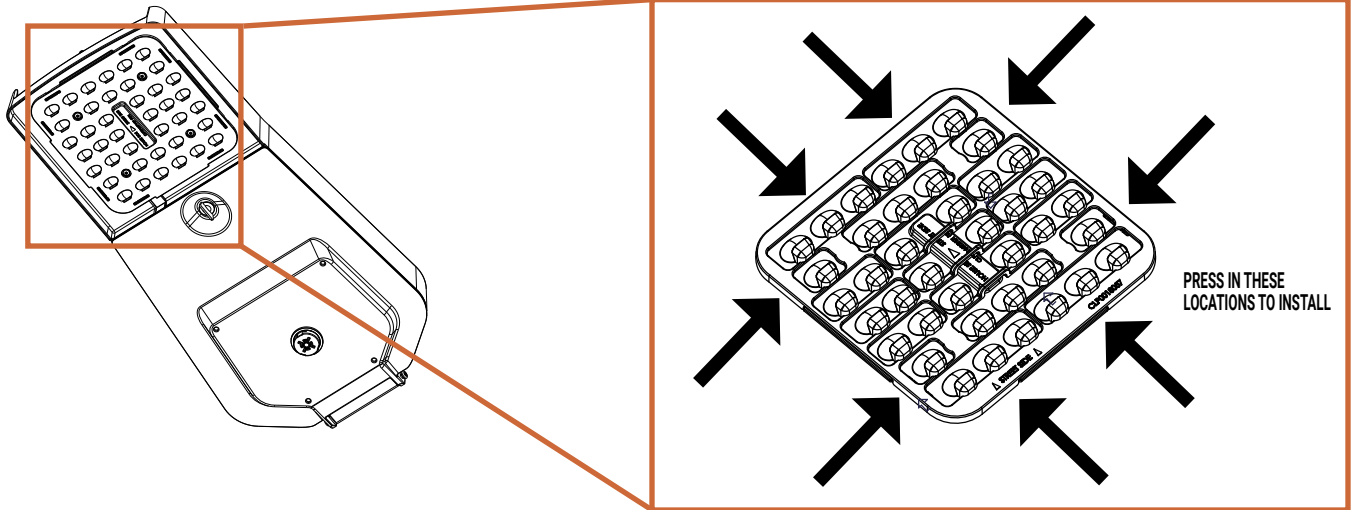


## Ordering Information

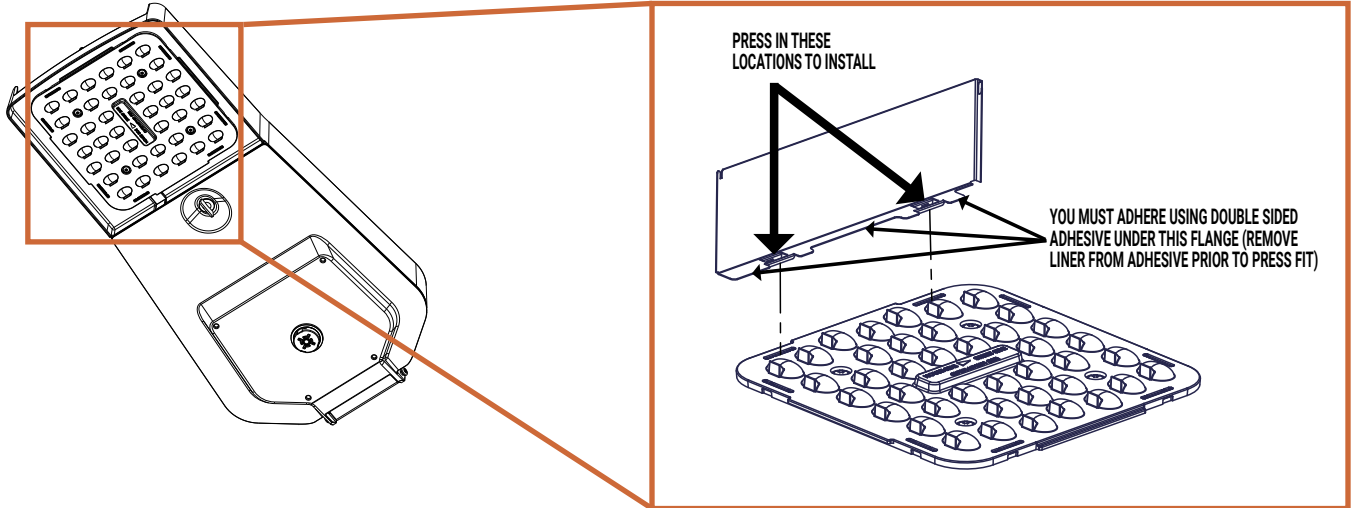
SAMPLE ORDER NUMBER: **ARCH4-130-730-U-T2R-AP-10MSP**

Product Family	Wattage Bucket	Color Temperature	Voltage	Distribution	Mounting	Finish
<b>ARCH4</b> =Archeon Contemporary Size 4 <b>BAA-ARCH4</b> =Archeon Contemporary Buy American Act Compliant <sup>2</sup> <b>TAA-ARCH4</b> =Archeon Contemporary Trade Agreements Act Compliant <sup>2</sup> <b>BABA-ARCH4</b> =Archeon Contemporary BABA/IIJA Compliant	<b>100</b> =100W (nominal) <b>110</b> =110W (nominal) <b>120</b> =120W (nominal) <b>130</b> =130W (nominal) <b>140</b> =140W (nominal) <b>150</b> =150W (nominal) <b>160</b> =160W (nominal) <b>170</b> =170W (nominal) <b>180</b> =180W (nominal) <b>190</b> =190W (nominal) <b>200</b> =200W (nominal) <b>210</b> =210W (nominal) <b>220</b> =220W (nominal) <b>230</b> =230W (nominal) <b>240</b> =240W (nominal) <b>250</b> =250W (nominal) <b>260</b> =260W (nominal) <b>270</b> =270W (nominal) <b>280</b> =280W (nominal) <sup>12</sup> <b>290</b> =290W (nominal) <sup>12</sup> <b>300</b> =300W (nominal) <sup>12</sup>	<b>722</b> =70CRI, 2200K <b>727</b> =70CRI, 2700K <b>730</b> =70CRI, 3000K <b>740</b> =70CRI, 4000K <b>750</b> =70CRI, 5000K <b>AMB</b> =Amber (check with factory quotes team for availability)	<b>U</b> =Universal (120-277V) <b>1</b> =120V <b>2</b> =208V <b>3</b> =240V <b>4</b> =277V <b>8</b> =480V <sup>8,14</sup> <b>9</b> =347V <b>H</b> =High Voltage Driver (347-480V) <sup>14</sup> <b>DV</b> =Duravolt driver (277-480V) <sup>14</sup> <b>DV1</b> =Duravolt driver (240-480V) <sup>14</sup>	<b>T2R</b> =Type II Roadway <b>T2U</b> =Type II Urban <b>T3</b> =Type III <b>T4W</b> =Type IV Wide <b>5WQ</b> =Type V Square Wide	<b>[Blank]</b> =None <b>A15</b> =15" Straight Mast Arm <b>ASJS00</b> =Adjustable Slipfitter (Factory set at 0°) <b>ASJS15</b> =Adjustable Slipfitter (Factory set at 15°) <b>ASJS25</b> =Adjustable Slipfitter (Factory set at 25°) <b>ASJS45</b> =Adjustable Slipfitter (Factory set at 45°)	<b>AP</b> =Grey <b>BZ</b> =Bronze <b>BK</b> =Black <b>DP</b> =Dark Platinum <b>GM</b> =Graphite Metallic <b>WH</b> =White
Options (Add as Suffix)		Controls		Accessories (Order Separately)		
<b>F</b> =Single Pole Fusing, specify voltage (120V, 277V, 347V) <b>FF</b> =Double Pole Fusing, specify voltage (208V, 240V, 480V) <b>10MSP</b> =Parallel 10kV MOV Surge Protection Device <b>10K</b> =Series 10kV UL 1449 Surge Protection Device <b>20MSP</b> =Parallel 20kV MOV Surge Protection Device <b>20K</b> =Series 20kV UL 1449 Surge Protection Device <b>20KI</b> =Series 20kV UL 1449 Surge Protection Device with light indicator <b>HSS</b> =Factory Installed House Side Shield <sup>3</sup> <b>K</b> =Level Indicator <b>CC</b> =Coastal Construction <sup>4</sup> <b>XTB</b> =No Terminal block <b>4B</b> =Four-bolt, two-clamp mounting <b>Dxxxxx</b> =DOT Configuration - Contact Quotes Team <b>Uxxxxx</b> =Utility Configuration - Contact Quotes Team		<b>PSC</b> =Photocontrol Shorting Cap <sup>5</sup> <b>NPC</b> =NEMA Photocontrol - Multi-Tap <sup>5</sup> <b>LLPC</b> =Longlife Photocontrol Included <sup>5</sup> <b>PR</b> =NEMA 3-PIN Twistlock Photocontrol Receptacle <sup>5</sup> <b>XPR</b> =No Photocontrol Receptacle <b>FADC</b> =Field Adjustable Dimming Controller <sup>6</sup> <b>DALI</b> =DALI Driver(s) - check with factory quotes team for availability <b>D4</b> =D4i driver(s) - check with factory quotes team for availability <b>Z4</b> =4-pin DALI receptacle Zhaga Book 18 <sup>8, 9</sup> <b>WPS2XX</b> =WaveLinX Pro Wireless Sensor, 7'-15' mounting height (Replace XX with sensor color) <sup>9, 12</sup> <b>WPS4XX</b> =WaveLinX Pro Wireless Sensor, 15'-40" mounting height (Replace XX with sensor color) <sup>9, 12</sup> <b>WLS2XX</b> =WaveLinX Lite Wireless Sensor with Bluetooth, 7'-15' mounting height (Replace XX with sensor color) <sup>9</sup> <b>WLS4XX</b> =WaveLinX Lite Wireless Sensor with Bluetooth, 15'-40" mounting height (Replace XX with sensor color) <sup>9</sup> <b>ZSC</b> =Zhaga Book 18 shorting cap <sup>10</sup>		<b>OA / RA1013</b> =Photocontrol Shorting Cap <b>OA1223</b> =10kV Surge Module Replacement <b>OA/RA1014</b> =NEMA Photocontrol - 120V <b>OA/RA1016</b> =NEMA Photocontrol - Multi-Tap <b>A15-xx</b> =15" Straight Mast Arm (replace xx with finish color designator) <b>ASJS00-xx</b> =Adjustable slipfitter, Factory set at 10° (replace xx with finish color designator) <b>ASJS15-xx</b> =Adjustable slipfitter, Factory set at 15° (replace xx with finish color designator) <b>ASJS25-xx</b> =Adjustable slipfitter, Factory set at 25° (replace xx with finish color designator) <b>ASJS45-xx</b> =Adjustable slipfitter, Factory set at 45° (replace xx with finish color designator) <b>PBHSS40</b> =House Side Shield, 40-LED (Single) <sup>3, 11</sup> <b>PBPF40</b> =Perimeter Fence Shield, 40-LED (4 Pieces)		
<b>NOTES:</b> 1. Customer is responsible for engineering analysis to confirm pole and fixture compatibility for all applications. Refer to our white paper WP513001EN for additional support information 2. Only product configurations with these prefixes are built to be compliant with the Buy America Act of 1933 (BAA) or Buy America Build America Act (BABA). Please see the Compliance section in Product Specifications for more detail 3. Not available/compatible with 5WQ optic 4. Coastal construction finish salt spray tested to over 5,000-hours per ASTM B117, with a scribe rating of 9 per ASTM D1654 5. Not available with XPR option 6. Must specify PR or XPR 7. Must specify XPR (no NEMA receptacle) 8. For use only with other manufacturers' Zhaga Book 18 sensors; not available when WaveLinX Wireless Sensors (WPS, WLS2) are also selected 9. Must select DALI or D4 driver option 10. Must select Z4 11. House Side Shield (PBHSS) cannot be used with 280W/290W/300Wz configurations 12. WAC Gateway required to enable field-configurability. Order WAC-PoE and WPOE-120 (10V to PoE injector) power supply if needed. WAC not required for LC Bluetooth sensors 13. 480V not to be used with ungrounded or impedance grounded systems						

## House Side Shield Details



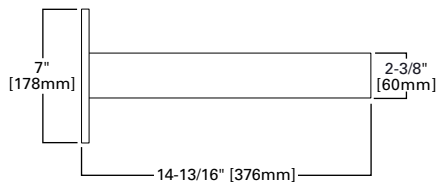
## Perimeter Shield Details



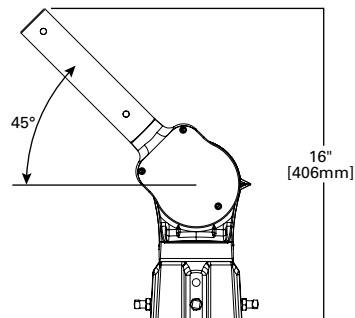
## Mounting Details

### Optional Arms

#### 15" STRAIGHT ARM

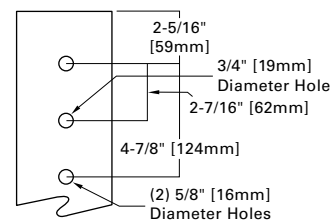


#### ADJUSTABLE SLIPFITTER OFFSET ARM



## Pole Drilling Details

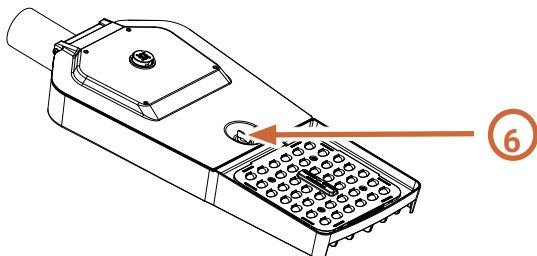
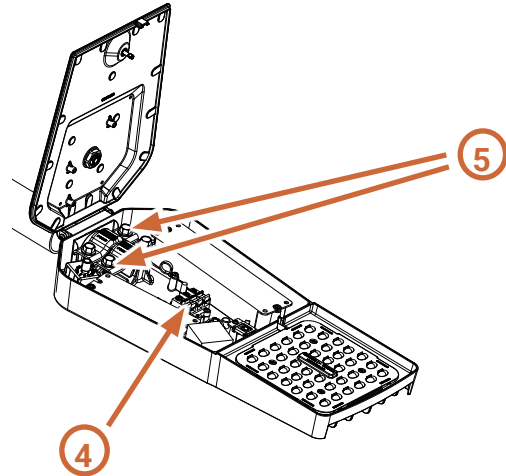
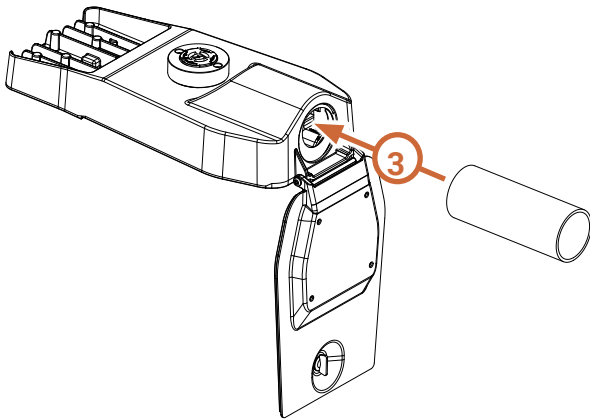
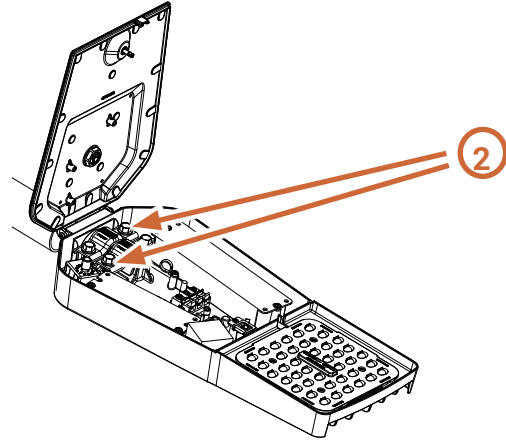
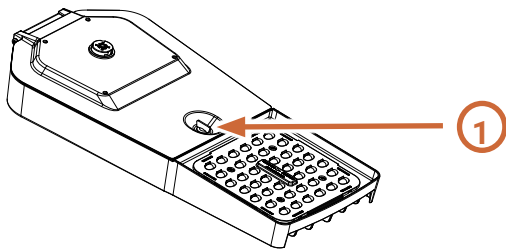
### Type "M" Pole Drilling Pattern for A15



## Installation Overview

### Quick Instruction Steps:

1. Open Door Latch
2. Loosen Bolts for Mast Arm Clamp (Inside Housing)
3. Insert Mast Arm Into Fixture Through Mast Receptacle
4. Wire Appropriately
5. Tighten Bolts on Mast Arm Clamp
6. Close fixture Door and Secure Door Latch



## Energy and Performance Data

Archeon Contemporary Size 4 IES Files

Supplemental Lumen Tables

Nominal Power (Watts)	100	110	120	130	140	150	160	170	180	190	200
Actual Power (Watts)	103W	113	123	133	143	153	163	173	183	193	203
Wattage Label	100	110	120	130	140	150	160	170	180	190	200
Input Current @ 120V (A)	0.86	0.94	1.02	1.10	1.18	1.26	1.34	1.42	1.50	1.59	1.70
Input Current @ 277V (A)	0.37	0.42	0.45	0.49	0.52	0.56	0.59	0.62	0.66	0.69	0.73
Input Current @ 347V (A)	0.30	0.33	0.36	0.39	0.41	0.44	0.47	0.50	0.53	0.56	0.59
Input Current @ 480V (A)	0.21	0.24	0.26	0.28	0.30	0.32	0.34	0.36	0.38	0.40	0.42

70 CRI, 3000K												
T2R	Lumens	17,622	19,145	20,588	22,102	23,425	24,759	26,099	27,356	28,629	29,892	31,359
	Lumens per Watt	171	170	169	167	166	164	162	161	159	157	154
	BUG Rating	B3 U0 G3	B3 U0 G3	B3 U0 G3	B3 U0 G3	B3 U0 G3	B3 U0 G3	B3 U0 G3	B3 U0 G3	B3 U0 G3	B3 U0 G3	B3 U0 G3
T2U	Lumens	17,629	19,152	20,596	22,110	23,434	24,768	26,109	27,366	28,639	29,903	31,370
	Lumens per Watt	171	170	169	168	166	164	162	161	159	157	154
	BUG Rating	B3 U0 G3	B3 U0 G3	B3 U0 G3	B3 U0 G3	B3 U0 G3	B3 U0 G3	B3 U0 G3	B3 U0 G3	B3 U0 G3	B4 U0 G4	B4 U0 G4
T3	Lumens	17,602	19,124	20,565	22,077	23,399	24,731	26,070	27,325	28,597	29,859	31,324
	Lumens per Watt	171	170	169	167	166	164	162	161	159	157	154
	BUG Rating	B3 U0 G3	B3 U0 G3	B3 U0 G3	B3 U0 G3	B3 U0 G3	B3 U0 G3	B3 U0 G3	B3 U0 G3	B3 U0 G3	B3 U0 G4	B3 U0 G4
T4W	Lumens	17,160	18,643	20,048	21,522	22,811	24,109	25,414	26,638	27,878	29,108	30,536
	Lumens per Watt	166	166	164	163	161	160	158	157	155	153	150
	BUG Rating	B3 U0 G3	B3 U0 G3	B3 U0 G3	B3 U0 G3	B3 U0 G3	B3 U0 G3	B3 U0 G3	B3 U0 G3	B3 U0 G4	B3 U0 G4	B3 U0 G4
5WQ	Lumens	17,256	18,748	20,161	21,643	22,939	24,245	25,557	26,788	28,034	29,271	30,708
	Lumens per Watt	167	167	165	164	162	161	159	158	156	154	151
	BUG Rating	B4 U0 G2	B4 U0 G2	B4 U0 G2	B4 U0 G2	B5 U0 G3	B5 U0 G3	B5 U0 G3	B5 U0 G3	B5 U0 G3	B5 U0 G3	B5 U0 G3

70 CRI, 4000K												
T2R	Lumens	18,503	20,102	21,618	23,207	24,597	25,997	27,404	28,723	30,060	31,387	32,927
	Lumens per Watt	179	179	177	176	174	172	171	169	167	165	162
	BUG Rating	B3 U0 G3	B3 U0 G3	B3 U0 G3	B3 U0 G3	B3 U0 G3	B3 U0 G3	B3 U0 G3	B3 U0 G3	B3 U0 G3	B3 U0 G3	B4 U0 G4
T2U	Lumens	18,510	20,110	21,626	23,215	24,606	26,006	27,414	28,734	30,071	31,398	32,939
	Lumens per Watt	180	179	177	176	174	172	171	169	167	165	162
	BUG Rating	B3 U0 G3	B3 U0 G3	B3 U0 G3	B3 U0 G3	B3 U0 G3	B3 U0 G3	B3 U0 G3	B3 U0 G3	B4 U0 G4	B4 U0 G4	B4 U0 G4
T3	Lumens	18,482	20,080	21,594	23,181	24,569	25,968	27,373	28,691	30,026	31,351	32,890
	Lumens per Watt	179	178	177	176	174	172	170	169	167	165	161
	BUG Rating	B3 U0 G3	B3 U0 G3	B3 U0 G3	B3 U0 G3	B3 U0 G3	B3 U0 G3	B3 U0 G3	B3 U0 G3	B3 U0 G4	B3 U0 G4	B3 U0 G4
T4W	Lumens	18,018	19,575	21,051	22,598	23,951	25,315	26,685	27,970	29,272	30,563	32,063
	Lumens per Watt	175	174	173	171	170	168	166	165	163	161	157
	BUG Rating	B3 U0 G3	B3 U0 G3	B3 U0 G3	B3 U0 G3	B3 U0 G3	B3 U0 G3	B3 U0 G3	B3 U0 G4	B3 U0 G4	B3 U0 G4	B3 U0 G4
5WQ	Lumens	18,119	19,685	21,169	22,725	24,086	25,457	26,835	28,127	29,436	30,735	32,243
	Lumens per Watt	176	175	174	172	170	169	167	166	164	162	158
	BUG Rating	B4 U0 G2	B4 U0 G2	B4 U0 G2	B5 U0 G3	B5 U0 G3	B5 U0 G3	B5 U0 G3	B5 U0 G3	B5 U0 G3	B5 U0 G3	B5 U0 G3

## Energy and Performance Data

Nominal Power (Watts)	210	220	230	240	250	260	270	280	290	300
Actual Power (Watts)	213W	223W	233W	243W	253W	263W	273W	283W	293W	303W
Wattage Label	210	220	230	240	250	260	270	280	290	300
Input Current @ 120V (A)	1.78	1.86	1.93	2.01	2.09	2.17	2.25	2.34	2.42	2.50
Input Current @ 277V (A)	0.77	0.82	0.86	0.89	0.92	0.96	0.99	1.03	1.06	1.10
Input Current @ 347V (A)	0.62	0.66	0.68	0.71	0.74	0.77	0.79	0.83	0.86	0.88
Input Current @ 480V (A)	0.44	0.48	0.50	0.52	0.54	0.56	0.57	0.60	0.62	0.64

70 CRI, 3000K											
T2R	Lumens	32,506	33,652	34,771	35,845	36,886	37,926	38,562	40,068	41,069	41,981
	Lumens per Watt	153	152	150	149	148	146	143	143	142	140
	BUG Rating	B4 U0 G4	B4 U0 G4	B4 U0 G4	B4 U0 G4	B4 U0 G4	B4 U0 G4	B4 U0 G4	B4 U0 G4	B4 U0 G4	B4 U0 G4
T2U	Lumens	32,518	33,665	34,784	35,858	36,900	37,941	38,577	40,083	41,084	41,997
	Lumens per Watt	153	152	150	149	148	146	143	143	142	140
	BUG Rating	B4 U0 G4	B4 U0 G4	B4 U0 G4	B4 U0 G4	B4 U0 G4	B4 U0 G4	B4 U0 G4	B4 U0 G4	B4 U0 G4	B4 U0 G4
T3	Lumens	32,470	33,614	34,733	35,805	36,845	37,884	38,519	40,023	41,023	41,934
	Lumens per Watt	152	152	150	149	148	146	143	143	142	140
	BUG Rating	B3 U0 G4	B3 U0 G4	B3 U0 G4	B3 U0 G4	B3 U0 G4	B4 U0 G4	B4 U0 G4	B4 U0 G4	B4 U0 G4	B4 U0 G4
T4W	Lumens	31,654	32,769	33,859	34,905	35,918	36,932	37,551	39,017	39,992	40,880
	Lumens per Watt	149	148	146	145	144	142	140	139	138	137
	BUG Rating	B3 U0 G4	B3 U0 G4	B3 U0 G4	B3 U0 G4	B3 U0 G4	B4 U0 G4	B4 U0 G4	B4 U0 G4	B4 U0 G4	B4 U0 G4
5WQ	Lumens	31,831	32,953	34,050	35,101	36,120	37,139	37,762	39,236	40,216	41,110
	Lumens per Watt	149	149	147	146	145	143	140	140	139	137
	BUG Rating	B5 U0 G3	B5 U0 G3	B5 U0 G4	B5 U0 G4	B5 U0 G4	B5 U0 G4	B5 U0 G4	B5 U0 G4	B5 U0 G4	B5 U0 G4

70 CRI, 4000K											
T2R	Lumens	34,132	35,335	36,510	37,637	38,730	39,823	40,491	42,071	43,122	44,080
	Lumens per Watt	160	159	158	157	155	154	151	150	149	147
	BUG Rating	B4 U0 G4	B4 U0 G4	B4 U0 G4	B4 U0 G4	B4 U0 G4	B4 U0 G4	B4 U0 G4	B4 U0 G4	B4 U0 G4	B4 U0 G4
T2U	Lumens	34,144	35,348	36,524	37,651	38,745	39,838	40,506	42,087	43,138	44,097
	Lumens per Watt	160	159	158	157	155	154	151	150	149	147
	BUG Rating	B4 U0 G4	B4 U0 G4	B4 U0 G4	B4 U0 G4	B4 U0 G4	B4 U0 G4	B4 U0 G4	B4 U0 G4	B4 U0 G4	B4 U0 G4
T3	Lumens	34,093	35,295	36,469	37,595	38,687	39,778	40,445	42,024	43,074	44,031
	Lumens per Watt	160	159	158	157	155	153	150	150	149	147
	BUG Rating	B3 U0 G4	B3 U0 G4	B3 U0 G4	B4 U0 G4	B4 U0 G4	B4 U0 G4	B4 U0 G4	B4 U0 G4	B4 U0 G4	B4 U0 G4
T4W	Lumens	33,236	34,408	35,552	36,650	37,714	38,778	39,429	40,968	41,991	42,924
	Lumens per Watt	156	155	154	153	151	150	147	146	145	143
	BUG Rating	B3 U0 G4	B3 U0 G4	B3 U0 G4	B4 U0 G4	B4 U0 G4	B4 U0 G4	B4 U0 G4	B4 U0 G4	B4 U0 G4	B4 U0 G4
5WQ	Lumens	33,423	34,601	35,752	36,856	37,926	38,996	39,650	41,198	42,227	43,165
	Lumens per Watt	157	156	155	153	152	150	147	147	146	144
	BUG Rating	B5 U0 G3	B5 U0 G4	B5 U0 G4	B5 U0 G4	B5 U0 G4	B5 U0 G4	B5 U0 G4	B5 U0 G4	B5 U0 G4	B5 U0 G4

### Lumen Maintenance

Ambient Temperature	25,000 hours*	50,000 hours*	60,000 hours*	100,000 hours*	L70*
25°C	98.1%	96.3%	95.6%	92.8%	>102,000
40°C	98.0%	96.1%	95.3%	92.3%	>102,000
50°C	97.8%	95.6%	94.8%	91.4%	>102,000

**Note:** \* Calculations provided in accordance with IES TM-21-11 using the configuration resulting in highest LED temperature.

### Lumen Multiplier

Ambient Temperature	Lumen Multiplier
0°C	1.02
10°C	1.01
25°C	1.00
40°C	0.99
50°C	0.97

### FADC Settings

FADC Position	Percent of Typical Lumen Output
1	25%
2	48%
3	56%
4	65%
5	75%
6	80%
7	85%
8	90%
9	95%
10	100%

**Note:** +/-5% typical value

### LED Color Multipliers

CRI	CCT					
	2200	2700	3000	4000	5000	
		Lumen Multiplier*				
70	0.83	0.92	0.95	1.00	1.00	
80	--	0.85	--	--	--	

**Note:** \* Estimates, refer to IES files for accuracy.

### Optical Distributions

