

Project		Catalog #		Type	
Prepared by		Notes		Date	



Interactive Menu

- **Ordering Information** page 2
- **Accessory & Mounting Details** page 3
- **Installation Overview** page 4
- **Energy and Performance Data** page 5
- **Optical Distributions** page 6

Streetworks

Archeon Contemporary Size 3

Roadway Luminaire

Product Certifications & Features



Product Specifications

OPTICAL

- 5 patented AccuLED high efficiency roadway and area optical distributions
- 7 color temperature options
 - » 70 CRI: 2200K, 2700K, 3000K, 4000K, 5000K
 - » Amber: wildlife-friendly and observatory applications
- 2 versions of field-installable shielding for superior spill light control
 - » Single-piece snap-on square shields
 - » Multiple-piece configurable vertical perimeter shielding

ELECTRICAL

- 120-277V, 240-480V, 347V, and 480V; 50/60Hz
- Standard 0-10V dimming
- 10kV and 20kV surge protection options with series or parallel configurations
- -40°C to 40°C ambient temperature operating range
- Standard 3-position terminal block

PHYSICAL CHARACTERISTICS

- Heavy duty die-cast aluminum housing and door
- Lineman-friendly features standard for easy maintenance. Includes tool-less entry and 3-position terminal block with easy access for service wires
- Housing finished in 5-stage super TGIC polyester powder coat paint, 2.5 mil nominal thickness

- 5 standard color options. RAL and custom colors also available. Additional charges and lead time apply
- Two-bolt slipfitter with cast-in pipe stop and 2.5° leveling steps
- Stamped metal birdguard seals entry for 1-1/4" to 2" (1-5/8" to 2-3/8" OD) mounting arms

CONTROLS

- Standard ANSI C136.10 7-pin receptacle for photocells or Networked Lighting Control (NLC) modules
- Optional Field Adjustable Dimming Control (FADC) module allows for manual adjustment of lumen output and power usage; factory preset to highest output level. Enables a single SKU to cover multiple field applications
- Optional 4-pin Zhaga Book 18 receptacle for integration of onboard sensors with DALI- and D4i-enabled drivers
- Fully compatible with CLS Trellix Infrastructure UNB (Ultra Narrow Band) and cellular network lighting controls platforms. Enables wireless collection of luminaire performance and status data and asset management for luminaires installed in the field

COMPLIANCE

- Meets ANSI C136.25 for IP66 Optical enclosure rating
- Meets ANSI C136.31 for 3G luminaire vibration. Customer is responsible for engineering analysis to confirm pole and fixture compatibility for all applications

- Meets ANSI C136.15 for luminaire field identification label standard
- Meets ANSI C136.22 internal label standard
- Safety listing - Wet Location UL 1598
- 3,000-hours per ASTM B117, with a scribe rating of 7 per ASTM D1654 for standard color finish
- DarkSky approved for 3000K CCT and warmer, with mounting options less than 10° of tilt
- DLC and DLC Premium listed- visit designlights.org to confirm listed variations
- BAA domestic preference option meets BAA requirements. See DOMESTIC PREFERENCES website or consult the CLS Domestic Preferences team for more information
- BABA domestic preference option meets BABA requirements. BABA products meet minimum government compliance requirements for Buy America Build America standard, part of the [Infrastructure and Investment Jobs Act \(IIJA\)](http://Infrastructure and Investment Jobs Act (IIJA)). Individual government agencies may have more stringent compliance standards

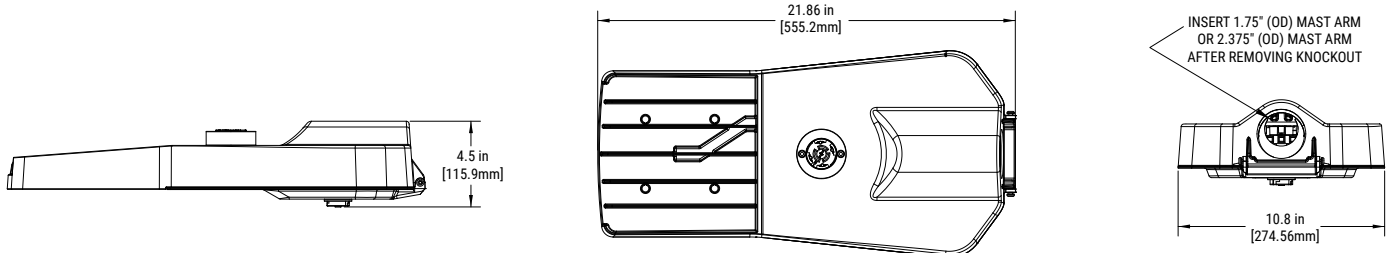
SHIPPING DATA

- Approximate Weight: 10 lbs
- EPA: 0.53
- Carton Size: 24.43" x 7.37" x 14.43"
- Pallet Size: 48" x 40"
- Cartons/Pallet: 20

WARRANTY

- Five-year limited warranty. Consult website for details. www.cooperlighting.com/legal

Dimensional Details



Ordering Information

SAMPLE ORDER NUMBER: **ARCH3-40-730-U-T2R-AP-10MSP**

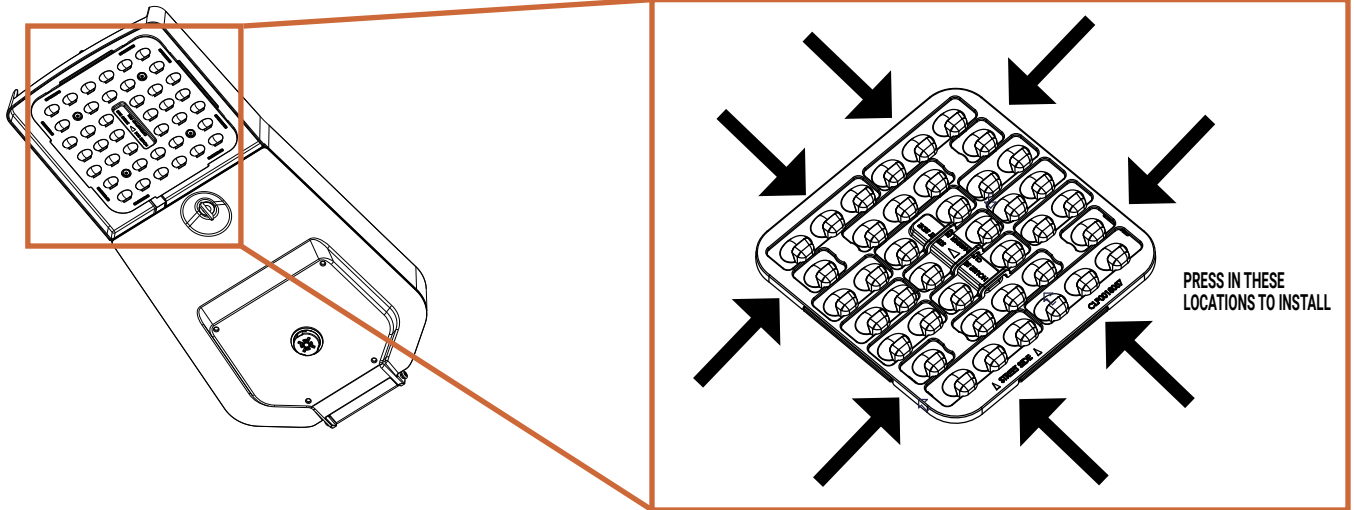
Product Family	Wattage Bucket	Color Temperature	Voltage	Distribution	Mounting	Finish
ARCH3 =Archeon Contemporary Size 3 BAA-ARCH3 =Archeon Contemporary Buy American Act Compliant ² TAA-ARCH3 =Archeon Contemporary Trade Agreements Act Compliant ² BABA-ARCH4 =Archeon Contemporary BABA/IIJA Compliant	40 =40W (nominal) 50 =50W (nominal) 60 =60W (nominal) 70 =70W (nominal) 80 =80W (nominal) 90 =90W (nominal) 100 =100W (nominal) 110 =110W (nominal) 120 =120W (nominal) 130 =130W (nominal) 140 =140W (nominal) 150 =150W (nominal) 160 =160W (nominal) 170 =170W (nominal) 180 =180W (nominal) ¹² 190 =190W (nominal) ¹²	722 =70CRI, 2200K 727 =70CRI, 2700K 730 =70CRI, 3000K 740 =70CRI, 4000K 750 =70CRI, 5000K AMB =Amber (check with factory quotes team for availability)	U =Universal (120-277V) 1 =120V 2 =208V 3 =240V 4 =277V 8 =480V ^{14, 16} 9 =347V ¹⁶ H =High Voltage Driver (347-480V) ^{14, 16} DV =Duravolt driver (277-480V) ^{14, 15} DV1 =Duravolt driver (240-480V) ^{14, 17}	T2R =Type II Roadway T2U =Type II Urban T3 =Type III T4W =Type IV Wide 5WQ =Type V Square Wide	[Blank] =None A15 =15" Straight Mast Arm ASJS00 =Adjustable Slipfitter (Factory set at 0°) ASJS15 =Adjustable Slipfitter (Factory set at 15°) ASJS25 =Adjustable Slipfitter (Factory set at 25°) ASJS45 =Adjustable Slipfitter (Factory set at 45°)	AP =Grey BZ =Bronze BK =Black DP =Dark Platinum GM =Graphite Metallic WH =White

Options (Add as Suffix)	Controls	Accessories (Order Separately)
F =Single Pole Fusing, specify voltage (120V, 277V, 347V) FF =Double Pole Fusing, specify voltage (208V, 240V, 480V) 10MSP =Parallel 10kV MOV Surge Protection Device 10K =Series 10kV UL 1449 Surge Protection Device 20MSP =Parallel 20kV MOV Surge Protection Device 20K =Series 20kV UL 1449 Surge Protection Device 20KI =Series 20kV UL 1449 Surge Protection Device with light indicator HSS =Factory Installed House Side Shield ³ HA =50°C High Ambient Temperature ⁴ K =Level Indicator CC =Coastal Construction ⁵ XTB =No Terminal block 4B =Four-bolt, two-clamp mounting Dxxxxx =DOT Configuration - Contact Quotes Team Uxxxxx =Utility Configuration - Contact Quotes Team	PSC =Photocontrol Shorting Cap ⁶ NPC =NEMA Photocontrol - Multi-Tap ⁶ LLPC =Longlife Photocontrol Included ⁶ PR =NEMA 3-PIN Twistlock Photocontrol Receptacle ⁶ XPR =No Photocontrol Receptacle FADC =Field Adjustable Dimming Controller ⁷ DALI =DALI Driver(s) - check with factory quotes team for availability D4 =D4i driver(s) - check with factory quotes team for availability Z4 =4-pin DALI receptacle Zhaga Book 18 ^{9, 10} WPS2XX =WaveLinX Pro Wireless Sensor, 7'-15' mounting height (Replace XX with sensor color) ^{10, 13} WPS4XX =WaveLinX Pro Wireless Sensor, 15'-40" mounting height (Replace XX with sensor color) ^{10, 13} WLS2XX =WaveLinX Lite Wireless Sensor with Bluetooth, 7'-15' mounting height (Replace XX with sensor color) ¹⁰ WLS4XX =WaveLinX Lite Wireless Sensor with Bluetooth, 15'-40' mounting height (Replace XX with sensor color) ¹⁰ ZSC =Zhaga Book 18 shorting cap ¹¹	OA / RA1013 =Photocontrol Shorting Cap OA1223 =10kV Surge Module Replacement OA/RA1014 =NEMA Photocontrol - 120V OA/RA1016 =NEMA Photocontrol - Multi-Tap A15-xx =15" Straight Mast Arm (replace xx with finish color designator) ASJS00-xx =Adjustable slipfitter, Factory set at 10° (replace xx with finish color designator) ASJS15-xx =Adjustable slipfitter, Factory set at 15° (replace xx with finish color designator) ASJS25-xx =Adjustable slipfitter, Factory set at 25° (replace xx with finish color designator) ASJS45-xx =Adjustable slipfitter, Factory set at 45° (replace xx with finish color designator) PBHSS40 =House Side Shield, 40-LED (Single) ^{3, 12} PBPF40 =Perimeter Fence Shield, 40-LED (4 Pieces)

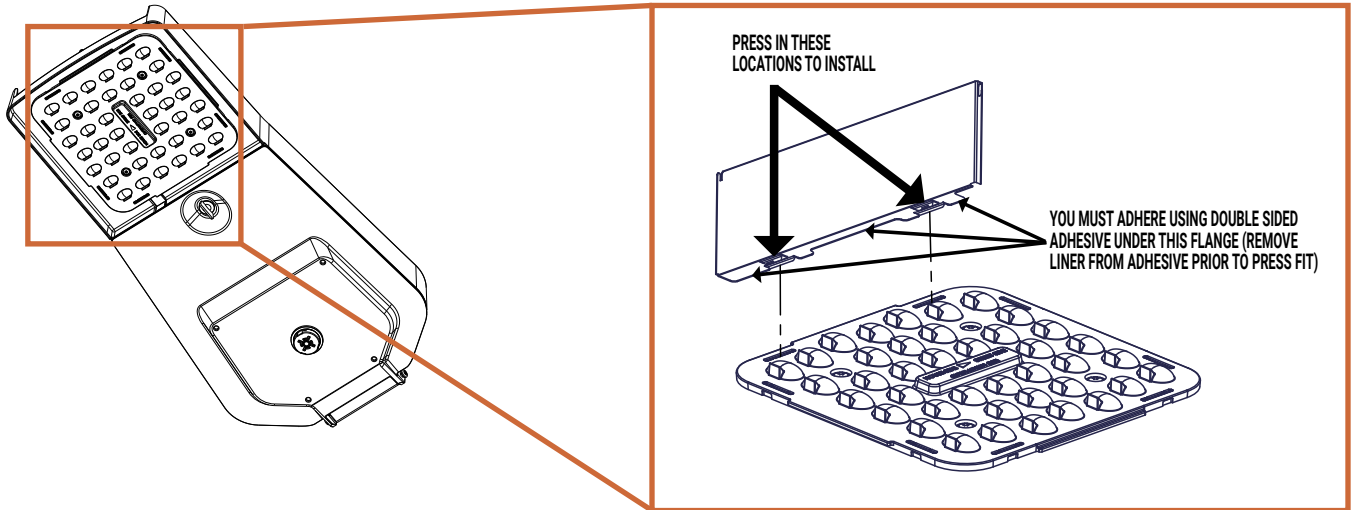
NOTES:

- Customer is responsible for engineering analysis to confirm pole and fixture compatibility for all applications. Refer to our white paper WP513001EN for additional support information
- Only product configurations with these prefixes are built to be compliant with the Buy America Act of 1933 (BAA) or Buy America Build America Act (BABA). Please see the Compliance section in Product Specifications for more detail
- Not available / not compatible with 5WQ optic
- Not available in 170W, 180W, 190W configurations
- Coastal construction finish salt spray tested to over 5,000-hours per ASTM B117, with a scribe rating of 9 per ASTM D1654
- Not available with XPR option
- Must specify PR or XPR
- Must specify XPR (no NEMA receptacle)
- For use only with other manufacturers' Zhaga Book 18 sensors; not available when Wavelinx Wireless Sensors (WPS, WLS) are also selected
- Must select DALI or D4 driver option
- Must select Z4
- House Side Shield (PBHSS) cannot be used with 180W/190W configurations
- WAC Gateway required to enable field-configurability. Order WAC-PoE and WPOE-120 (10V to PoE injector) power supply if needed. WAC not required for LC Bluetooth sensors
- 480V not to be used with ungrounded or impedance grounded systems
- Available only in 70W and above
- Available in 50W and above
- Available in 70W to 150W

House Side Shield Details



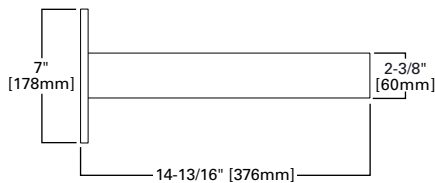
Perimeter Shield Details



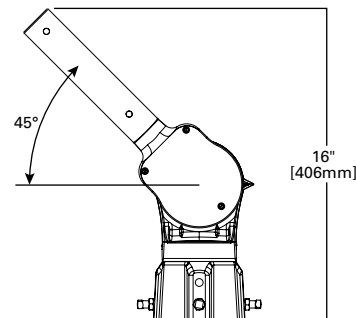
Mounting Details

Optional Arms

15" STRAIGHT ARM

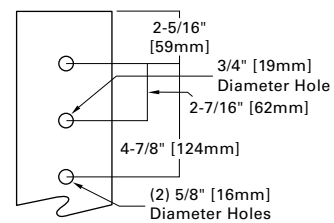


ADJUSTABLE SLIPFITTER OFFSET ARM



Pole Drilling Details

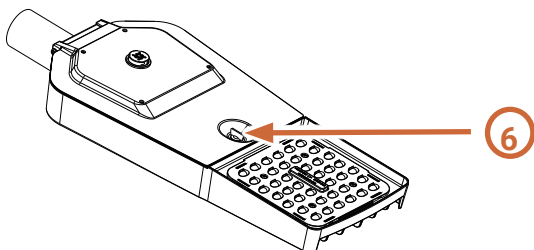
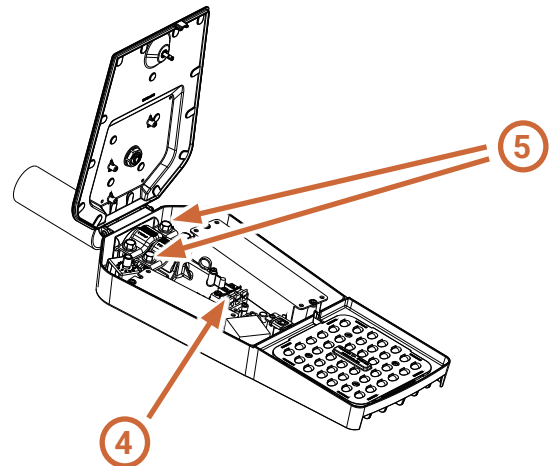
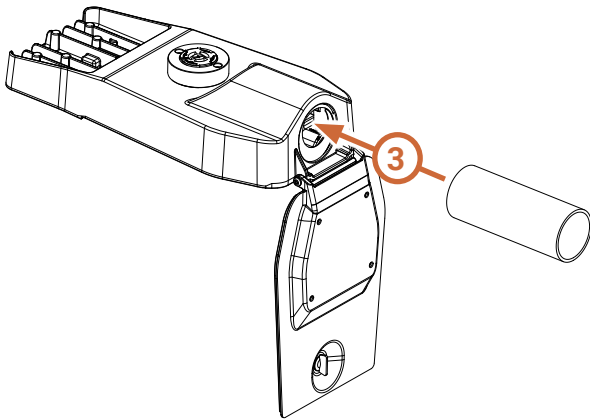
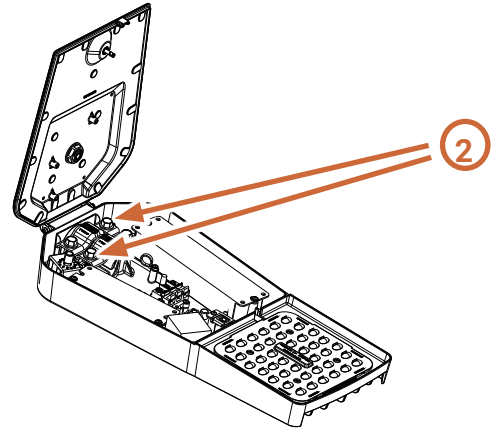
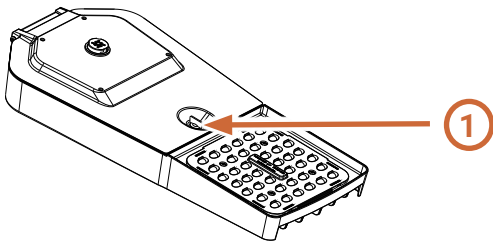
Type "M" Pole Drilling Pattern for A15



Installation Overview

Quick Instruction Steps:

1. Open Door Latch
2. Loosen Bolts for Mast Arm Clamp(s) (Inside Housing)
3. Insert Mast Arm Into Fixture Through Mast Receptacle
4. Wire Appropriately
5. Tighten Bolts on Mast Arm Clamp(s)
6. Close fixture Door and Secure Door Latch



Energy and Performance Data

[Archeon Contemporary Size 3 IES Files](#)

[Supplemental Lumen Tables](#)

Nominal Power (Watts)	40	50	60	70	80	90	100	110	120	130	140	150	160	170	180	190
Actual Power (Watts)	43	53	63	73	83	93	103	113	123	133	143	153	163	173	183	193
Wattage Label	40	50	60	70	80	90	100	110	120	130	140	150	160	170	180	190
Input Current @ 120V (A)	0.37	0.45	0.53	0.61	0.68	0.78	0.86	0.94	1.03	1.11	1.19	1.26	1.35	1.43	1.51	1.58
Input Current @ 277V (A)	0.17	0.20	0.24	0.27	0.31	0.34	0.37	0.42	0.45	0.49	0.52	0.56	0.59	0.62	0.66	0.69
Input Current @ 347V (A)	0.13	0.15	0.18	0.21	0.24	0.27	0.30	0.33	0.36	0.39	0.42	0.45	0.48	0.51	0.53	0.56
Input Current @ 480V (A)	0.10	0.11	0.13	0.15	0.17	0.19	0.21	0.24	0.26	0.28	0.30	0.32	0.34	0.36	0.38	0.40

70 CRI, 3000K

T2R	Lumens	7,308	8,930	10,467	11,920	13,177	14,692	15,903	17,102	18,438	19,484	20,577	21,429	22,405	23,236	24,085	24,789
	Lumens per Watt	168	167	166	163	161	158	155	153	150	147	144	142	139	136	133	131
	BUG Rating	B2 U0 G2	B2 U0 G2	B2 U0 G2	B2 U0 G2	B3 U0 G3	B3 U0 G3	B3 U0 G3	B3 U0 G3	B3 U0 G3	B3 U0 G3	B3 U0 G3	B3 U0 G3	B3 U0 G3	B3 U0 G3	B3 U0 G3	B3 U0 G3
T2U	Lumens	7,316	8,940	10,479	11,934	13,193	14,709	15,921	17,122	18,460	19,507	20,601	21,454	22,431	23,264	24,113	24,819
	Lumens per Watt	168	167	166	163	161	158	155	153	150	147	145	142	139	136	134	131
	BUG Rating	B2 U0 G2	B2 U0 G2	B2 U0 G2	B3 U0 G3	B3 U0 G3	B3 U0 G3	B3 U0 G3	B3 U0 G3	B3 U0 G3	B3 U0 G3	B3 U0 G3	B3 U0 G3	B3 U0 G3	B3 U0 G3	B3 U0 G3	B3 U0 G3
T3	Lumens	7,271	8,885	10,415	11,861	13,112	14,619	15,824	17,018	18,347	19,388	20,475	21,322	22,294	23,121	23,966	24,667
	Lumens per Watt	167	166	165	162	160	157	154	152	150	146	144	141	138	136	133	130
	BUG Rating	B1 U0 G2	B2 U0 G2	B2 U0 G2	B2 U0 G2	B2 U0 G2	B2 U0 G2	B3 U0 G3	B3 U0 G3	B3 U0 G3	B3 U0 G3	B3 U0 G3	B3 U0 G3	B3 U0 G3	B3 U0 G3	B3 U0 G3	B3 U0 G3
T4W	Lumens	7,089	8,662	10,153	11,563	12,782	14,252	15,426	16,590	17,886	18,900	19,960	20,786	21,733	22,540	23,363	24,046
	Lumens per Watt	163	162	161	158	156	153	150	148	146	143	140	138	135	132	129	127
	BUG Rating	B1 U0 G2	B2 U0 G2	B2 U0 G2	B2 U0 G2	B2 U0 G2	B2 U0 G2	B2 U0 G2	B3 U0 G3	B3 U0 G3	B3 U0 G3	B3 U0 G3	B3 U0 G3	B3 U0 G3	B3 U0 G3	B3 U0 G3	B3 U0 G3
5WQ	Lumens	7,152	8,740	10,245	11,667	12,897	14,380	15,565	16,739	18,047	19,070	20,140	20,973	21,929	22,743	23,573	24,263
	Lumens per Watt	164	163	162	160	157	154	152	150	147	144	141	139	136	133	131	128
	BUG Rating	B3 U0 G1	B3 U0 G2	B3 U0 G2	B4 U0 G2	B4 U0 G2	B4 U0 G2	B4 U0 G2	B4 U0 G2	B4 U0 G2	B4 U0 G2	B4 U0 G2	B4 U0 G2	B4 U0 G2	B5 U0 G3	B5 U0 G3	B5 U0 G3

70 CRI, 4000K

T2R	Lumens	7,673	9,376	10,990	12,516	13,836	15,427	16,698	17,957	19,360	20,459	21,606	22,500	23,525	24,398	25,289	26,029
	Lumens per Watt	176	175	174	171	169	166	163	160	158	154	152	149	146	143	140	137
	BUG Rating	B2 U0 G2	B2 U0 G2	B2 U0 G2	B2 U0 G2	B3 U0 G3	B3 U0 G3	B3 U0 G3	B3 U0 G3	B3 U0 G3	B3 U0 G3	B3 U0 G3	B3 U0 G3	B3 U0 G3	B3 U0 G3	B3 U0 G3	B3 U0 G3
T2U	Lumens	7,682	9,387	11,003	12,531	13,852	15,445	16,717	17,979	19,383	20,483	21,631	22,526	23,552	24,427	25,319	26,059
	Lumens per Watt	176	175	174	171	169	166	163	161	158	154	152	149	146	143	140	138
	BUG Rating	B2 U0 G2	B2 U0 G2	B2 U0 G2	B3 U0 G3	B3 U0 G3	B3 U0 G3	B3 U0 G3	B3 U0 G3	B3 U0 G3	B3 U0 G3	B3 U0 G3	B3 U0 G3	B3 U0 G3	B3 U0 G3	B3 U0 G3	B3 U0 G3
T3	Lumens	7,635	9,330	10,936	12,454	13,767	15,350	16,615	17,869	19,264	20,357	21,499	22,389	23,408	24,277	25,164	25,900
	Lumens per Watt	175	174	173	170	168	165	162	160	157	154	151	149	145	142	139	137
	BUG Rating	B2 U0 G2	B2 U0 G2	B2 U0 G2	B2 U0 G2	B2 U0 G2	B2 U0 G2	B3 U0 G3	B3 U0 G3	B3 U0 G3	B3 U0 G3	B3 U0 G3	B3 U0 G3	B3 U0 G3	B3 U0 G3	B3 U0 G3	B3 U0 G3
T4W	Lumens	7,443	9,095	10,661	12,141	13,421	14,964	16,197	17,419	18,780	19,845	20,958	21,826	22,820	23,667	24,531	25,249
	Lumens per Watt	171	170	169	166	164	161	158	156	153	150	147	145	142	139	136	133
	BUG Rating	B2 U0 G2	B2 U0 G2	B2 U0 G2	B2 U0 G2	B2 U0 G2	B2 U0 G2	B3 U0 G3	B3 U0 G3	B3 U0 G3	B3 U0 G3	B3 U0 G3	B3 U0 G3	B3 U0 G3	B3 U0 G3	B3 U0 G3	B3 U0 G3
5WQ	Lumens	7,510	9,177	10,757	12,250	13,542	15,099	16,343	17,576	18,949	20,024	21,147	22,022	23,025	23,880	24,752	25,476
	Lumens per Watt	172	171	170	168	165	162	159	157	154	151	148	146	143	140	137	135
	BUG Rating	B3 U0 G1	B3 U0 G2	B3 U0 G2	B4 U0 G2	B4 U0 G2	B4 U0 G2	B4 U0 G2	B4 U0 G2	B4 U0 G2	B4 U0 G2	B4 U0 G2	B4 U0 G2	B4 U0 G2	B5 U0 G3	B5 U0 G3	B5 U0 G3

Lumen Maintenance

Ambient Temperature	25,000 hours*	50,000 hours*	60,000 hours*	100,000 hours*	L70*
25°C	98.0%	96.1%	95.3%	92.3%	>102,000
40°C	97.8%	95.7%	94.9%	91.6%	>102,000
50°C	97.8%	95.6%	94.8%	91.4%	>102,000

Note: * Calculations provided in accordance with IES TM-21-11 using the configuration resulting in highest LED temperature.

Lumen Multiplier

Ambient Temperature	Lumen Multiplier
0°C	1.02
10°C	1.01
25°C	1.00
40°C	0.99
50°C	0.97

FADC Settings

FADC Position	Percent of Typical Lumen Output
1	25%
2	48%
3	56%
4	65%
5	75%
6	80%
7	85%
8	90%
9	95%
10	100%

Note: +/-5% typical value

LED Color Multipliers

CRI	CCT				
	2200	2700	3000	4000	5000
Lumen Multiplier*					
70	0.83	0.92	0.95	1.00	1.00
80	--	0.85	--	--	--

Note: * Estimates, refer to IES files for accuracy.

Optical Distributions

