

Project		Catalog #		Type	
Prepared by		Notes		Date	



### Interactive Menu

- **Ordering Information** page 2
- **Accessory & Mounting Details** page 4
- **Installation Overview** page 4
- **Optical Distributions** page 5
- **Energy and Performance Data** page 5

# Streetworks

## Archeon Contemporary Size 2

### Roadway Luminaire

### Product Certifications & Features



## Product Specifications

### OPTICAL

- 5 patented AccuLED high efficiency roadway and area optical distributions
- 7 color temperature options
  - » 70 CRI: 2200K, 2700K, 3000K, 4000K, 5000K
  - » Amber: wildlife-friendly and observatory applications
- 2 versions of field-installable shielding for superior spill light control
  - » Single-piece snap-on square shields
  - » Multiple-piece configurable vertical perimeter shielding

### ELECTRICAL

- 120-277V, 240-480V, 347V, and 480V; 50/60Hz
- Standard 0-10V dimming
- 10kV and 20kV surge protection options with series or parallel configurations
- -40°C to 40°C ambient temperature operating range
- Standard 3-position terminal block

### PHYSICAL CHARACTERISTICS

- Heavy duty die-cast aluminum housing and door
- Lineman-friendly features standard for easy maintenance. Includes tool-less entry and 3-position terminal block with easy access for service wires
- Housing finished in 5-stage super TGIC polyester powder coat paint, 2.5 mil nominal thickness

- 5 standard color options. RAL and custom colors also available. Additional charges and lead time apply
- Two-bolt slipfitter with cast-in pipe stop and 2.5° leveling steps
- Stamped metal birdguard seals entry for 1-1/4" to 2" (1-5/8" to 2-3/8" OD) mounting arms

### CONTROLS

- Standard ANSI C136.10 7-pin receptacle for photocells or Networked Lighting Control (NLC) modules
- Optional Field Adjustable Dimming Control (FADC) module allows for manual adjustment of lumen output and power usage; factory preset to highest output level. Enables a single SKU to cover multiple field applications
- Optional 4-pin Zhaga Book 18 receptacle for integration of onboard sensors with DALI- and D4i-enabled drivers
- Fully compatible with CLS Trellix Infrastructure UNB (Ultra Narrow Band) and cellular network lighting controls platforms. Enables wireless collection of luminaire performance and status data and asset management for luminaires installed in the field

### COMPLIANCE

- Meets ANSI C136.25 for IP66 Optical enclosure rating
- Meets ANSI C136.31 for 3G luminaire vibration. Customer is responsible for engineering analysis to confirm pole and fixture compatibility for all applications

- Meets ANSI C136.15 for luminaire field identification label standard
- Meets ANSI C136.22 internal label standard
- Safety listing - Wet Location UL 1598
- 3,000-hours per ASTM B117, with a scribe rating of 7 per ASTM D1654 for standard color finish
- DarkSky approved for 3000K CCT and warmer, with mounting options less than 10° of tilt
- DLC and DLC Premium listed- visit [designlights.org](http://designlights.org) to confirm listed variations
- BAA domestic preference option meets BAA requirements. See [DOMESTIC.PREFERENCES](http://DOMESTIC.PREFERENCES) website or consult the CLS Domestic Preferences team for more information
- BABA domestic preference option meets BABA requirements. BABA products meet minimum government compliance requirements for Buy America Build America standard, part of the [Infrastructure and Investment Jobs Act \(IIJA\)](http://Infrastructure and Investment Jobs Act (IIJA)). Individual government agencies may have more stringent compliance standards

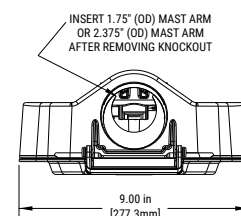
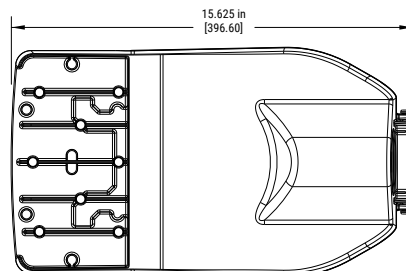
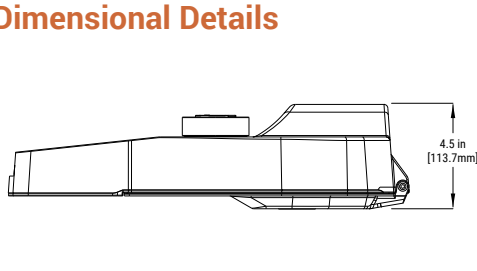
### SHIPPING DATA

- Approximate Weight: 8 lbs
- EPA: 0.35
- Carton Size: 12.31" x 6.37" x 11.31"
- Pallet Size: 48" x 40"
- Cartons/Pallet: 64

### WARRANTY

- Five-year limited warranty. Consult website for details. [www.cooperlighting.com/legal](http://www.cooperlighting.com/legal)

## Dimensional Details

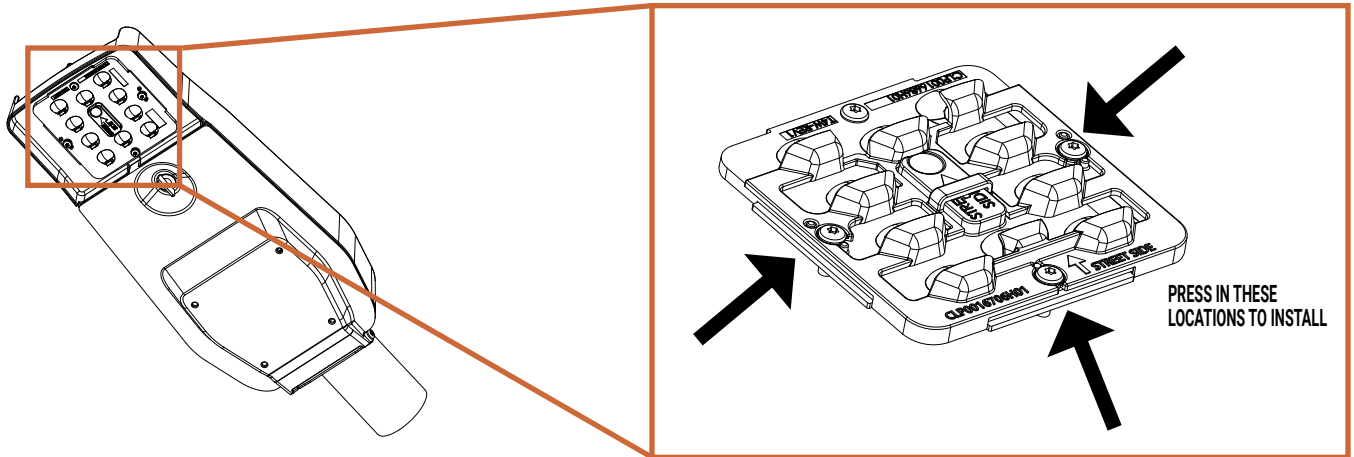


## Ordering Information

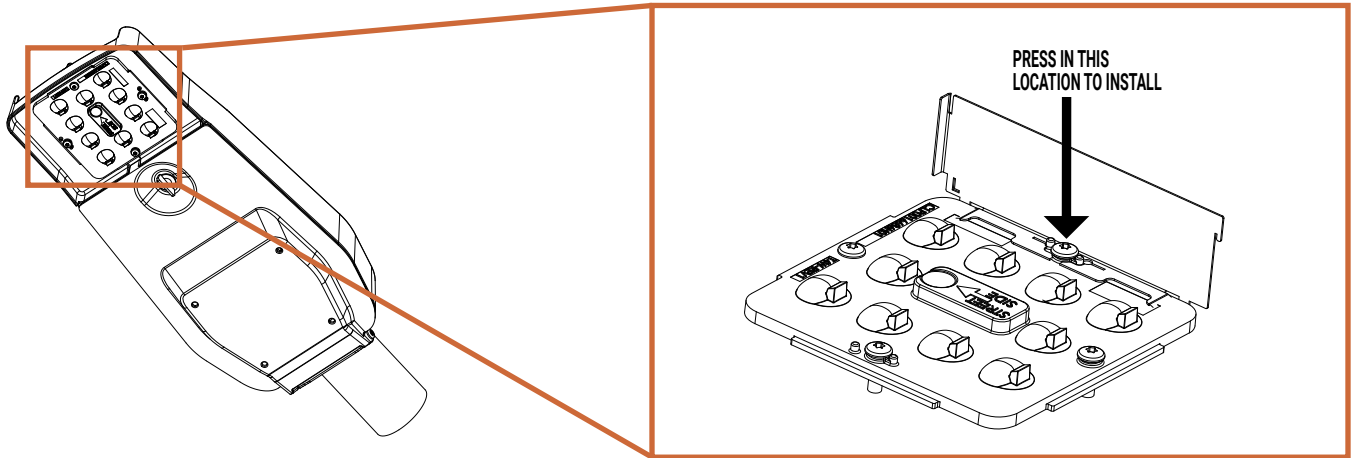
SAMPLE ORDER NUMBER: ARCH2-80-730-U-T2R-AP-10MSP

Product Family	Wattage Bucket	Color Temperature	Voltage	Distribution	Mounting	Finish
<b>ARCH2</b> =Archeon Contemporary Size 2 <b>BAA-ARCH2</b> =Archeon Contemporary Buy American Act Compliant <sup>2</sup> <b>TAA-ARCH2</b> =Archeon Contemporary Trade Agreements Act Compliant <sup>2</sup> <b>BABA-ARCH2</b> =Archeon Contemporary BABA/IIJA Compliant	<b>20</b> =20W (nominal) <b>30</b> =30W (nominal) <b>40</b> =40W (nominal) <b>50</b> =50W (nominal) <b>60</b> =60W (nominal) <b>70</b> =70W (nominal) <b>80</b> =80W (nominal) <b>90</b> =90W (nominal) <b>100</b> =100W (nominal) <b>110</b> =110W (nominal)	<b>722</b> =70CRI, 2200K <b>727</b> =70CRI, 2700K <b>730</b> =70CRI, 3000K <b>740</b> =70CRI, 4000K <b>750</b> =70CRI, 5000K <b>AMB</b> =Amber	<b>U</b> =Universal (120-277V) 1=120V 2=208V 3=240V 4=277V 8=480V 9=347V <b>H</b> =High Voltage Driver (347-480V)	<b>T2R</b> =Type II Roadway <b>T2U</b> =Type II Urban <b>T3</b> =Type III <b>T4W</b> =Type IV Wide <b>5WQ</b> =Type V Square Wide	<b>[Blank]</b> =None <b>A15</b> =15" Straight Mast Arm <b>ASJS00</b> =Adjustable Slipfitter (Factory set at 0°) <b>ASJS15</b> =Adjustable Slipfitter (Factory set at 15°) <b>ASJS25</b> =Adjustable Slipfitter (Factory set at 25°) <b>ASJS45</b> =Adjustable Slipfitter (Factory set at 45°)	<b>AP</b> =Grey <b>BZ</b> =Bronze <b>BK</b> =Black <b>DP</b> =Dark Platinum <b>GM</b> =Graphite Metallic <b>WH</b> =White
Options (Add as Suffix)		Controls		Accessories (Order Separately)		
<b>F</b> =Single Pole Fusing, specify voltage (120V, 277V, 347V) <b>FF</b> =Double Pole Fusing, specify voltage (208V, 240V, 480V) <b>10MSP</b> =Parallel 10kV MOV Surge Protection Device <b>10K</b> =Series 10kV UL 1449 Surge Protection Device <b>20MSP</b> =Parallel 20kV MOV Surge Protection Device <b>20K</b> =Series 20kV UL 1449 Surge Protection Device <b>20KI</b> =Series 20kV UL 1449 Surge Protection Device with light indicator <b>HSS</b> =Factory Installed House Side Shield <sup>4</sup> <b>HA</b> =50°C High Ambient Temperature <sup>4</sup> <b>K</b> =Level Indicator <b>CC</b> =Coastal Construction <sup>5</sup> <b>XTB</b> =No Terminal block <b>Dxxxx</b> =DOT Configuration - Contact Quotes Team <b>Uxxxx</b> =Utility Configuration - Contact Quotes Team		<b>PSC</b> =Photocontrol Shorting Cap <sup>6</sup> <b>NPC</b> =NEMA Photocontrol - Multi-Tap <sup>6</sup> <b>LLPC</b> =Longlife Photocontrol Included <sup>6</sup> <b>PR</b> =NEMA 3-PIN Twistlock Photocontrol Receptacle <sup>6</sup> <b>XPR</b> =No Photocontrol Receptacle <b>FADC</b> =Field Adjustable Dimming Controller <sup>7</sup> <b>DALI</b> =DALI Driver(s) - check with factory quotes team for availability <b>D4</b> =D4i driver(s) - check with factory quotes team for availability <b>Z4</b> =4-pin DALI receptacle Zhaga Book 18 <sup>9, 11</sup> <b>WPS2XX</b> =Wavelinx Pro, SR Driver, Dimming Motion and Daylight, WAC Programmable, 7' - 15' Mounting Height <sup>11</sup> <b>WPS4XX</b> =Wavelinx Pro, SR Driver, Dimming Motion and Daylight, WAC Programmable, 15' - 40' Mounting Height <sup>11</sup> <b>WLS2XX</b> =WaveLinx Lite, SR Driver, Dimming Motion and Daylight, Bluetooth Programmable, 7' - 15' Mounting <sup>11</sup> <b>WLS4XX</b> =WaveLinx Lite, SR Driver, Dimming Motion and Daylight, Bluetooth Programmable, 15' - 40' Mounting <sup>11</sup> <b>ZSC</b> =Zhaga Book 18 shorting cap <sup>12</sup>		<b>OA / RA1013</b> =Photocontrol Shorting Cap <b>OA1223</b> =10kV Surge Module Replacement <b>OA/RA1014</b> =NEMA Photocontrol - 120V <b>OA/RA1016</b> =NEMA Photocontrol - Multi-Tap <b>A15-xx</b> =15" Straight Mast Arm (replace xx with finish color designator) <b>ASJS00-xx</b> =Adjustable slipfitter, Factory set at 10° (replace xx with finish color designator) <b>ASJS15-xx</b> =Adjustable slipfitter, Factory set at 15° (replace xx with finish color designator) <b>ASJS25-xx</b> =Adjustable slipfitter, Factory set at 25° (replace xx with finish color designator) <b>ASJS45-xx</b> =Adjustable slipfitter, Factory set at 45° (replace xx with finish color designator) <b>PBHS</b> =House Side Shield (Single) <sup>3</sup> <b>PBPF</b> =Perimeter Fence Shield Kit (4 Pieces)		
<b>NOTES:</b> 1. Customer is responsible for engineering analysis to confirm pole and fixture compatibility for all applications. Refer to our white paper WP513001EN for additional support information 2. Only product configurations with these prefixes are built to be compliant with the Buy America Act of 1933 (BAA) or Buy America Build America Act (BABA). Please see the Compliance section in Product Specifications for more detail 3. Not available/not compatible with 5WQ optic 4. Not available in 50W or 60W configurations 5. Coastal construction finish salt spray tested to over 5,000-hours per ASTM B117, with a scribe rating of 9 per ASTM D1654 6. Not available with XPR option 7. Must specify PR or XPR 8. Must specify XPR (no NEMA receptacle) 9. For use only with other manufacturers' Zhaga Book 18 sensors; not available when Wavelinx Wireless Sensors (WPS, WLS2) are also selected 10. Select this option only when Wavelinx Wireless Sensors (WPS, WLS2) are also selected 11. Must select DALI or D4 driver option 12. Must select Z4						

## House Side Shield Details



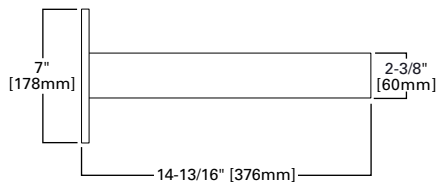
## Perimeter Shield Details



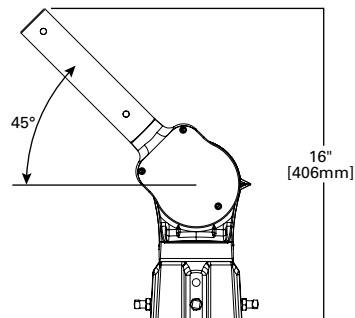
## Mounting Details

### Optional Arms

#### 15" STRAIGHT ARM



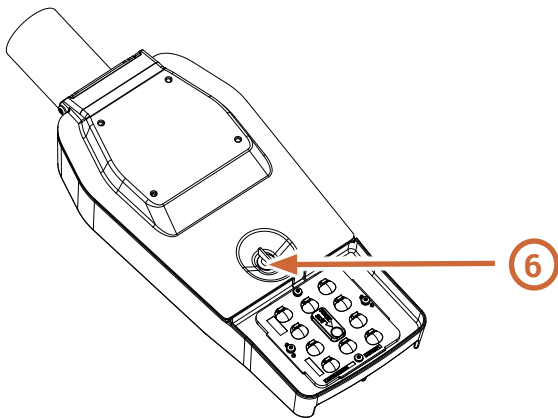
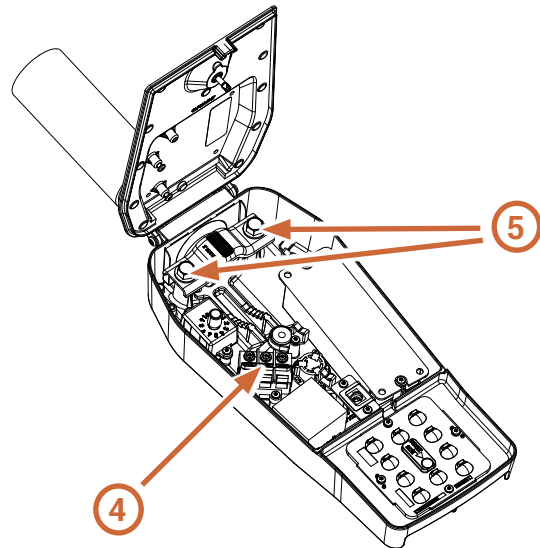
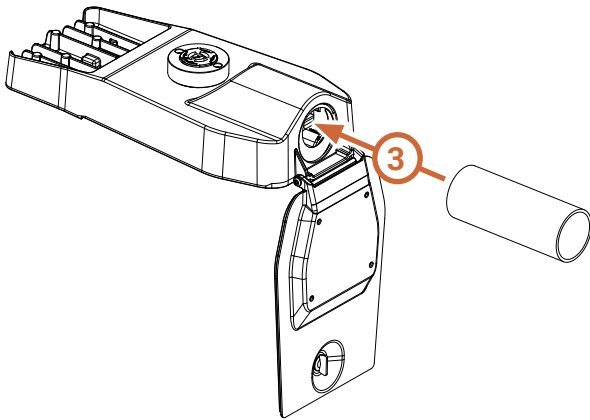
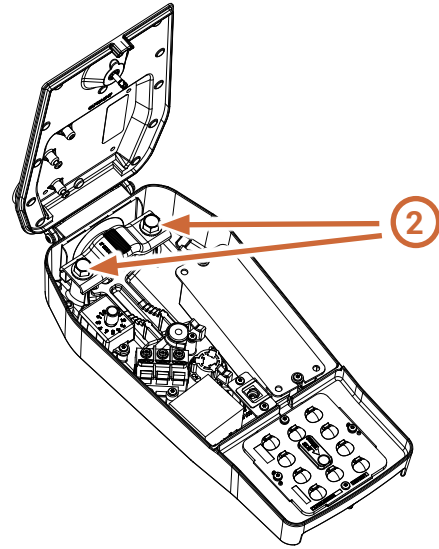
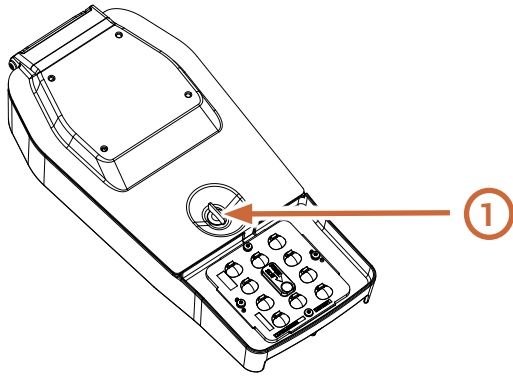
#### ADJUSTABLE SLIPFITTER OFFSET ARM



## Installation Overview

### Quick Instruction Steps:

1. Open Door Latch
2. Loosen Bolts for Mast Arm Clamp (Inside Housing)
3. Insert Mast Arm Into Fixture Through Mast Receptacle
4. Wire Appropriately
5. Tighten Bolts on Mast Arm Clamp
6. Close fixture Door and Secure Door Latch



## Energy and Performance Data

Nominal Power (Watts)	30	40	50	60	70	80	90	100	110
Actual Power (Watts)	34	44	54	64	74	84	94	103	110
Wattage Label	30	40	50	60	70	80	90	100	110
Input Current @ 120V (A)	0.28	0.37	0.45	0.53	0.62	0.70	0.78	0.86	0.92
Input Current @ 277V (A)	0.12	0.16	0.19	0.23	0.27	0.30	0.34	0.37	0.40
Input Current @ 347V (A)	0.10	0.13	0.16	0.18	0.21	0.24	0.27	0.30	0.32
Input Current @ 480V (A)	0.07	0.09	0.11	0.13	0.15	0.18	0.20	0.21	0.23

Archeon Contemporary  
Size 2 IES Files

Supplemental Lumen Tables

70 CRI, 3000K										
T2R	Lumens	5,131	6,464	7,741	8,938	10,012	11,054	11,927	12,707	13,164
	Lumens per Watt	149	147	143	140	136	131	127	123	120
	BUG Rating	B1 U0 G1	B2 U0 G1	B2 U0 G2	B2 U0 G2	B2 U0 G2	B2 U0 G2	B2 U0 G2	B2 U0 G2	B3 U0 G3
T2U	Lumens	5,130	6,462	7,739	8,934	10,008	11,051	11,923	12,702	13,159
	Lumens per Watt	149	147	143	140	136	131	127	123	120
	BUG Rating	B1 U0 G1	B2 U0 G2	B2 U0 G2	B2 U0 G2	B2 U0 G2	B2 U0 G2	B3 U0 G3	B3 U0 G3	B3 U0 G3
T3	Lumens	5,107	6,433	7,704	8,895	9,964	11,001	11,870	12,646	13,100
	Lumens per Watt	148	146	143	139	135	130	127	122	120
	BUG Rating	B1 U0 G1	B1 U0 G1	B2 U0 G2	B2 U0 G2	B2 U0 G2	B2 U0 G2	B2 U0 G2	B2 U0 G2	B2 U0 G2
T4W	Lumens	4,922	6,200	7,425	8,573	9,603	10,603	11,441	12,188	12,626
	Lumens per Watt	143	141	137	134	130	126	122	118	115
	BUG Rating	B1 U0 G1	B1 U0 G1	B2 U0 G2	B2 U0 G2	B2 U0 G2	B2 U0 G2	B2 U0 G2	B2 U0 G2	B2 U0 G2
5WQ	Lumens	5,123	6,453	7,729	8,923	9,995	11,036	11,908	12,686	13,142
	Lumens per Watt	149	146	143	140	136	131	127	123	120
	BUG Rating	B3 U0 G1	B3 U0 G1	B3 U0 G1	B3 U0 G2	B3 U0 G2	B3 U0 G2	B4 U0 G2	B4 U0 G2	B4 U0 G2

70 CRI, 4000K										
T2R	Lumens	5,388	6,787	8,128	9,384	10,512	11,607	12,524	13,342	13,822
	Lumens per Watt	157	154	151	147	143	138	134	129	126
	BUG Rating	B1 U0 G1	B2 U0 G2	B2 U0 G2	B2 U0 G2	B2 U0 G2	B2 U0 G2	B2 U0 G2	B3 U0 G3	B3 U0 G3
T2U	Lumens	5,386	6,785	8,126	9,381	10,509	11,603	12,519	13,337	13,817
	Lumens per Watt	157	154	150	147	143	138	134	129	126
	BUG Rating	B1 U0 G1	B2 U0 G2	B2 U0 G2	B2 U0 G2	B2 U0 G2	B2 U0 G2	B3 U0 G3	B3 U0 G3	B3 U0 G3
T3	Lumens	5,362	6,755	8,089	9,339	10,462	11,551	12,463	13,278	13,755
	Lumens per Watt	156	153	150	146	142	137	133	129	126
	BUG Rating	B1 U0 G1	B1 U0 G1	B2 U0 G2	B2 U0 G2	B2 U0 G2	B2 U0 G2	B2 U0 G2	B2 U0 G2	B2 U0 G2
T4W	Lumens	5,168	6,510	7,797	9,001	10,083	11,133	12,013	12,798	13,258
	Lumens per Watt	150	148	144	141	137	132	128	124	121
	BUG Rating	B1 U0 G1	B1 U0 G1	B2 U0 G2	B2 U0 G2	B2 U0 G2	B2 U0 G2	B2 U0 G2	B2 U0 G2	B2 U0 G2
5WQ	Lumens	5,379	6,776	8,115	9,369	10,495	11,588	12,503	13,320	13,799
	Lumens per Watt	156	154	150	147	143	137	133	129	126
	BUG Rating	B3 U0 G1	B3 U0 G1	B3 U0 G2	B3 U0 G2	B3 U0 G2	B4 U0 G2	B4 U0 G2	B4 U0 G2	B4 U0 G2

## Lumen Maintenance

Ambient Temperature	25,000 hours*	50,000 hours*	60,000 hours*	100,000 hours*	L70*
25°C	98.1%	96.3%	95.6%	92.8%	>102,000
40°C	98.0%	96.1%	95.3%	92.3%	>102,000
50°C	97.8%	95.6%	94.8%	91.4%	>102,000

**Note:** \* Calculations provided in accordance with IES TM-21-11 using the configuration resulting in highest LED temperature.

## Lumen Multiplier

Ambient Temperature	Lumen Multiplier
0°C	1.02
10°C	1.01
25°C	1.00
40°C	0.99
50°C	0.97

## FADC Settings

FADC Position	Percent of Typical Lumen Output
1	25%
2	48%
3	56%
4	65%
5	75%
6	80%
7	85%
8	90%
9	95%
10	100%

**Note:** +/-5% typical value

## LED Color Multipliers

CRI	CCT					
	2200	2700	3000	4000	5000	
		Lumen Multiplier*				
70	0.83	0.92	0.95	1.00	1.00	
80	--	0.85	--	--	--	

**Note:** \* Estimates, refer to IES files for accuracy.

## Optical Distributions

