

Project		Catalog #		Type	
Prepared by		Notes		Date	



Streetworks

Archeon Contemporary Size 1

Roadway Luminaire

Product Certifications & Features



Light ARchitect™

Interactive Menu

- **Ordering Information** page 2
- **Accessory & Mounting Details** page 4
- **Installation Overview** page 4
- **Optical Distributions** page 5
- **Energy and Performance Data** page 5

Product Specifications

OPTICAL

- 5 patented AccuLED high efficiency roadway and area optical distributions
- 7 color temperature options
 - » 70 CRI: 2200K, 2700K, 3000K, 4000K, 5000K
 - » Amber: wildlife-friendly and observatory applications
- 2 versions of field-installable shielding for superior spill light control
 - » Single-piece snap-on square shields
 - » Multiple-piece configurable vertical perimeter shielding

ELECTRICAL

- 120-277V, 240-480V, 347V, and 480V; 50/60Hz
- Standard 0-10V dimming
- 110kV and 20kV surge protection options with series or parallel configurations
- -40°C to 40°C ambient temperature operating range
- Standard 3-position terminal block

PHYSICAL CHARACTERISTICS

- Heavy duty die-cast aluminum housing and door
- Lineman-friendly features standard for easy maintenance. Includes tool-less entry and 3-position terminal block with easy access for service wires
- Housing finished in 5-stage super TGIC polyester powder coat paint, 2.5 mil nominal thickness

- 5 standard color options. RAL and custom colors also available. Additional charges and lead time apply
- Two-bolt slipfitter with cast-in pipe stop and 2.5" leveling steps
- Stamped metal birdguard seals entry for 1-1/4" to 2" (1-5/8" to 2-3/8" OD) mounting arms

CONTROLS

- Standard ANSI C136.10 7-pin receptacle for photocells or Networked Lighting Control (NLC) modules
- Optional Field Adjustable Dimming Control (FADC) module allows for manual adjustment of lumen output and power usage; factory preset to highest output level. Enables a single SKU to cover multiple field applications
- Optional 4-pin Zhaga Book 18 receptacle for integration of onboard sensors with DALI- and D4i-enabled drivers
- Fully compatible with CLS Trellix Infrastructure UNB (Ultra Narrow Band) and cellular network lighting controls platforms. Enables wireless collection of luminaire performance and status data and asset management for luminaires installed in the field

COMPLIANCE

- Meets ANSI C136.25 for IP66 Optical enclosure rating
- Meets ANSI C136.31 for 3G luminaire vibration. Customer is responsible for engineering analysis to confirm pole and fixture compatibility for all applications

- Meets ANSI C136.15 for luminaire field identification label standard
- Meets ANSI C136.22 internal label standard
- Safety listing - Wet Location UL 1598
- 3,000-hours per ASTM B117, with a scribe rating of 7 per ASTM D1654 for standard color finish
- DarkSky approved for 3000K CCT and warmer, with mounting options less than 10° of tilt
- DLC and DLC Premium listed- visit designlights.org to confirm listed variations
- BAA domestic preference option meets BAA requirements. See DOMESTIC_PREFERENCES website or consult the CLS Domestic Preferences team for more information
- BABA domestic preference option meets BABA requirements. BABA products meet minimum government compliance requirements for Buy America Build America standard, part of the [Infrastructure and Investment Jobs Act \(IIJA\)](http://Infrastructure and Investment Jobs Act (IIJA)). Individual government agencies may have more stringent compliance standards

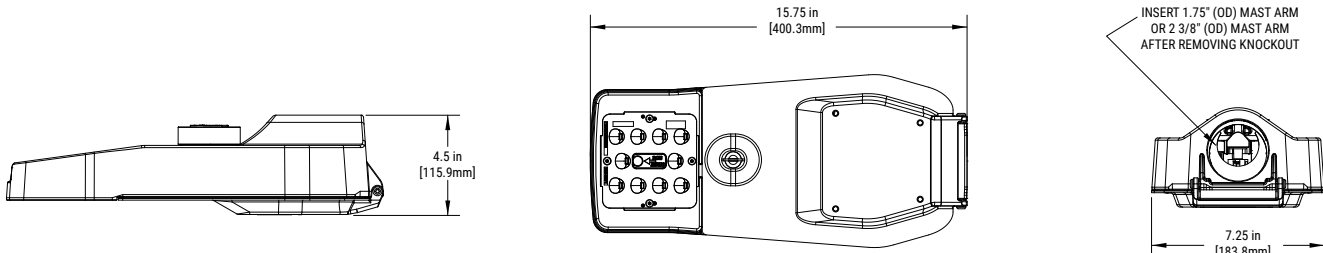
SHIPPING DATA

- Approximate Weight: 7 lbs
- EPA: 0.35
- Carton Size: 12.31" x 6.37" x 11.31"
- Pallet Size: 48" x 40"
- Cartons/Pallet: 64

WARRANTY

- Five-year limited warranty. Consult website for details. www.cooperlighting.com/legal

Dimensional Details

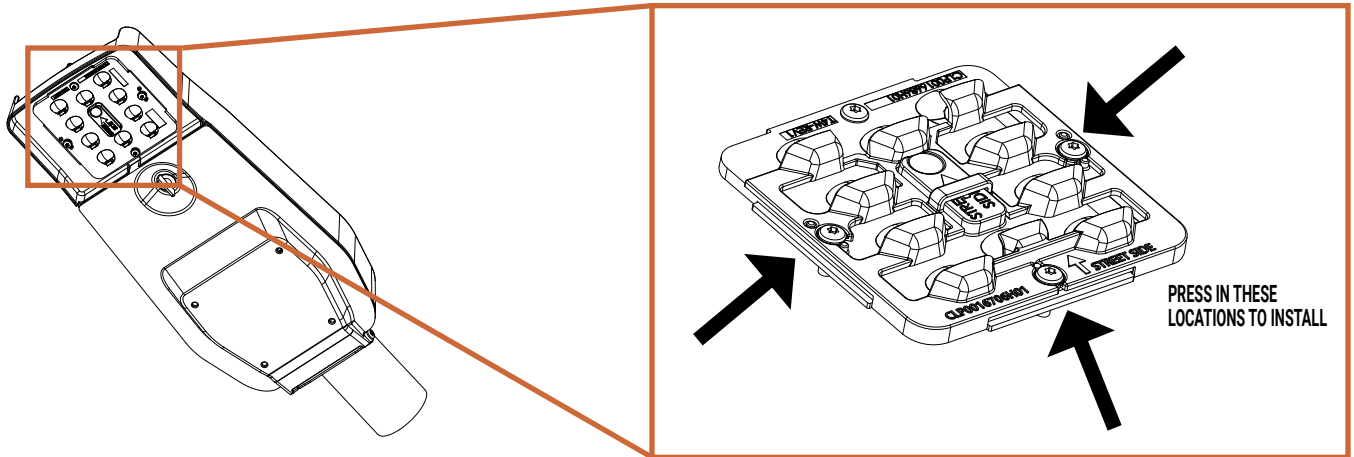


Ordering Information

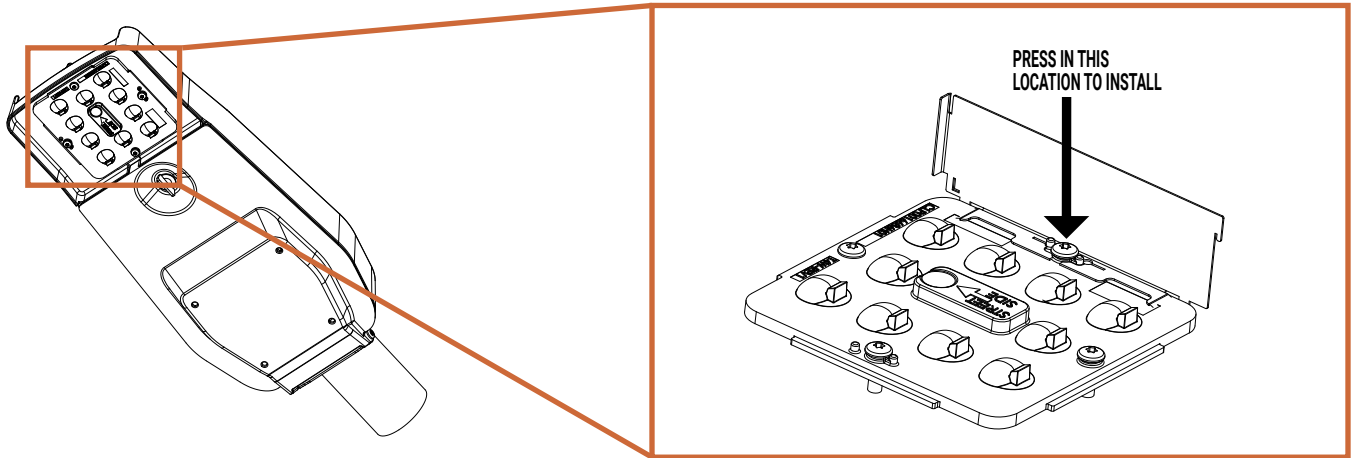
SAMPLE ORDER NUMBER: ARCH1-30-730-U-T2R-AP-10MSP

Product Family	Wattage Bucket	Color Temperature	Voltage	Distribution	Mounting	Finish
ARCH1 =Archeon Contemporary Size 1 BAA-ARCH1 =Archeon Contemporary Buy American Act Compliant ² TAA-ARCH1 =Archeon Contemporary Trade Agreements Act Compliant ² BABA-ARCH1 =Archeon Contemporary BABA/IIJA Compliant	20 =20W (nominal) 30 =30W (nominal) 40 =40W (nominal) 50 =50W (nominal) 60 =60W (nominal)	722 =70CRI, 2200K 727 =70CRI, 2700K 730 =70CRI, 3000K 740 =70CRI, 4000K 750 =70CRI, 5000K	U =Universal (120-277V) 1=120V 2=208V 3=240V 4=277V 8=480V 9=347V H =High Voltage Driver (347-480V)	T2R =Type II Roadway T2U =Type II Urban T3 =Type III T4W =Type IV Wide 5WQ =Type V Square Wide	[Blank] =None A15 =15" Straight Mast Arm ASJS00 =Adjustable Slipfitter (Factory set at 0°) ASJS15 =Adjustable Slipfitter (Factory set at 15°) ASJS25 =Adjustable Slipfitter (Factory set at 25°) ASJS45 =Adjustable Slipfitter (Factory set at 45°)	AP =Grey BZ =Bronze BK =Black DP =Dark Platinum GM =Graphite Metallic WH =White
Options (Add as Suffix)		Controls		Accessories (Order Separately)		
F =Single Pole Fusing, specify voltage (120V, 277V, 347V) FF =Double Pole Fusing, specify voltage (208V, 240V, 480V) 10MSP =Parallel 10kV MOV Surge Protection Device 10K =Series 10kV UL 1449 Surge Protection Device 20MSP =Parallel 20kV MOV Surge Protection Device 20K =Series 20kV UL 1449 Surge Protection Device 20KI =Series 20kV UL 1449 Surge Protection Device with light indicator HSS =Factory Installed House Side Shield ³ HA =50°C High Ambient Temperature ⁴ K =Level Indicator CC =Coastal Construction ⁵ XTB =No Terminal block Dxxxx =DOT Configuration - Contact Quotes Team Uxxxx =Utility Configuration - Contact Quotes Team		PSC =Photocontrol Shorting Cap ⁶ NPC =NEMA Photocontrol - Multi-Tap ⁶ LLPC =Longlife Photocontrol Included ⁶ PR =NEMA 3-PIN Twistlock Photocontrol Receptacle ⁶ XPR =No Photocontrol Receptacle FADC =Field Adjustable Dimming Controller ⁷ DALI =DALI Driver(s) - check with factory quotes team for availability D4 =D4i driver(s) - check with factory quotes team for availability Z4 =4-pin DALI receptacle Zhaga Book 18 ^{9, 11} WPS2XX =Wavelinx Pro, SR Driver, Dimming Motion and Daylight, WAC Programmable, 7' - 15' Mounting Height ¹¹ WPS4XX =Wavelinx Pro, SR Driver, Dimming Motion and Daylight, WAC Programmable, 15' - 40' Mounting Height ¹¹ WLS2XX =WaveLinx Lite, SR Driver, Dimming Motion and Daylight, Bluetooth Programmable, 7' - 15' Mounting ¹¹ WLS4XX =WaveLinx Lite, SR Driver, Dimming Motion and Daylight, Bluetooth Programmable, 15' - 40' Mounting ¹¹ ZSC =Zhaga Book 18 shorting cap ¹²		OA / RA1013 =Photocontrol Shorting Cap OA1223 =10kV Surge Module Replacement OA/RA1014 =NEMA Photocontrol - 120V OA/RA1016 =NEMA Photocontrol - Multi-Tap A15-xx =15" Straight Mast Arm (replace xx with finish color designator) ASJS00-xx =Adjustable slipfitter, Factory set at 10° (replace xx with finish color designator) ASJS15-xx =Adjustable slipfitter, Factory set at 15° (replace xx with finish color designator) ASJS25-xx =Adjustable slipfitter, Factory set at 25° (replace xx with finish color designator) ASJS45-xx =Adjustable slipfitter, Factory set at 45° (replace xx with finish color designator) PBHS =House Side Shield (Single) ³ PBPF =Perimeter Fence Shield Kit (4 Pieces)		
NOTES: 1. Customer is responsible for engineering analysis to confirm pole and fixture compatibility for all applications. Refer to our white paper WP513001EN for additional support information 2. Only product configurations with these prefixes are built to be compliant with the Buy America Act of 1933 (BAA) or Buy America Build America Act (BABA). Please see the Compliance section in Product Specifications for more detail 3. Not available/not compatible with 5WQ optic 4. Not available in 50W or 60W configurations 5. Coastal construction finish salt spray tested to over 5,000-hours per ASTM B117, with a scribe rating of 9 per ASTM D1654 6. Not available with XPR option 7. Must specify PR or XPR 8. Must specify XPR (no NEMA receptacle) 9. For use only with other manufacturers' Zhaga Book 18 sensors; not available when Wavelinx Wireless Sensors (WPS, WLS) are also selected 10. Select this option only when Wavelinx Wireless Sensors (WPS, WLS) are also selected 11. Must select DALI or D4 driver option 12. Must select Z4						

House Side Shield Details



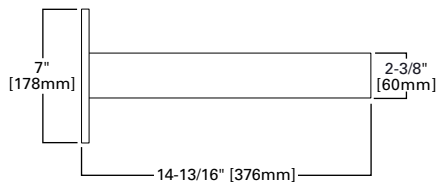
Perimeter Shield Details



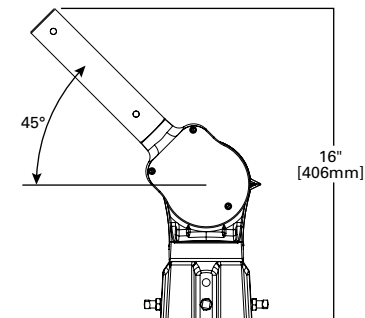
Mounting Details

Optional Arms

15" STRAIGHT ARM



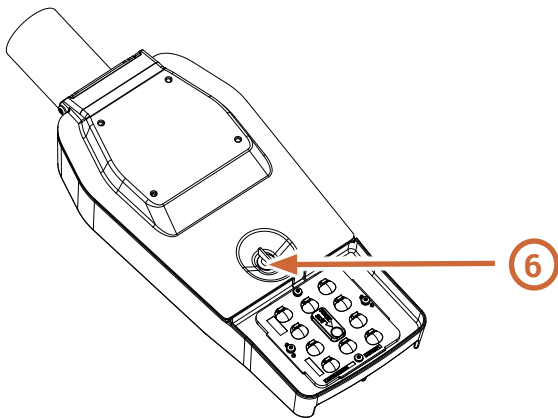
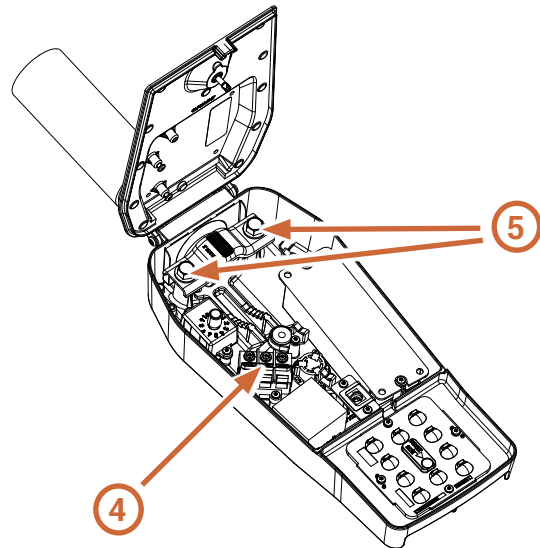
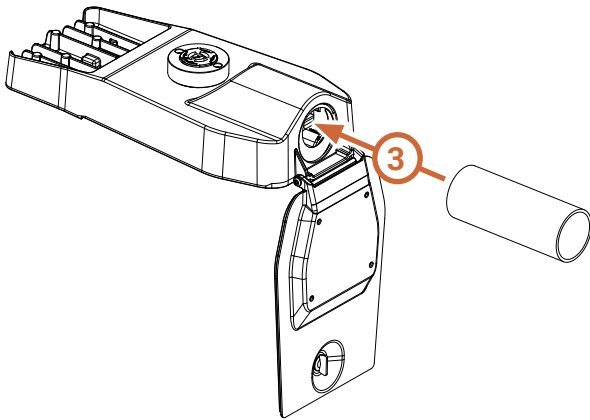
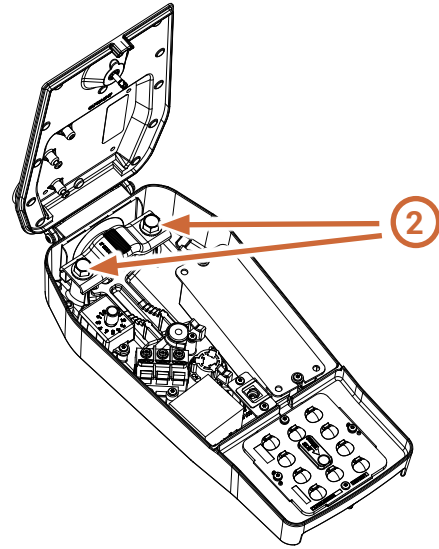
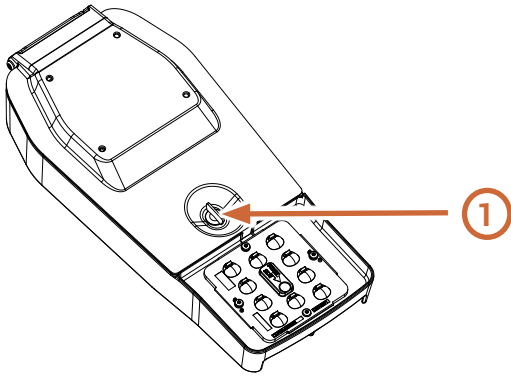
ADJUSTABLE SLIPFITTER OFFSET ARM



Installation Overview

Quick Instruction Steps:

1. Open Door Latch
2. Loosen Bolts for Mast Arm Clamp (Inside Housing)
3. Insert Mast Arm Into Fixture Through Mast Receptacle
4. Wire Appropriately
5. Tighten Bolts on Mast Arm Clamp
6. Close fixture Door and Secure Door Latch



Energy and Performance Data

Nominal Power (Watts)	20	30	40	50	60
Actual Power (Watts)	23.5	33	43	53	60
Wattage Label	20	30	40	50	60
Input Current @ 120V (A)	0.20	0.28	0.36	0.44	0.50
Input Current @ 277V (A)	0.08	0.12	0.16	0.19	0.22
Input Current @ 347V (A)	0.07	0.10	0.12	0.15	0.17
Input Current @ 480V (A)	0.05	0.07	0.09	0.11	0.13

Archeon Contemporary - ARCH1 IES Files

Supplemental Lumen Tables

70 CRI, 3000K

		20	30	40	50	60
T2R	Lumens	3,471	4,564	5,637	6,559	7,110
	Lumens per Watt	148	138	131	124	118
	BUG Rating	B1 U0 G1	B1 U0 G1	B1 U0 G1	B2 U0 G2	B2 U0 G2
T2U	Lumens	3,441	4,524	5,588	6,502	7,048
	Lumens per Watt	146	137	130	123	117
	BUG Rating	B1 U0 G1	B1 U0 G1	B1 U0 G1	B2 U0 G2	B2 U0 G2
T3	Lumens	3,418	4,495	5,551	6,459	7,001
	Lumens per Watt	145	136	129	122	117
	BUG Rating	B1 U0 G1	B1 U0 G1	B1 U0 G1	B1 U0 G1	B1 U0 G2
T4W	Lumens	3,312	4,355	5,379	6,258	6,783
	Lumens per Watt	141	132	125	118	113
	BUG Rating	B1 U0 G1	B1 U0 G1	B1 U0 G1	B1 U0 G1	B1 U0 G2
5WQ	Lumens	3,465	4,556	5,628	6,548	7,097
	Lumens per Watt	147	138	131	124	118
	BUG Rating	B2 U0 G1	B3 U0 G1	B3 U0 G1	B3 U0 G1	B3 U0 G1

70 CRI, 4000K

		20	30	40	50	60
T2R	Lumens	3,644	4,792	5,919	6,887	7,465
	Lumens per Watt	155	145	138	130	124
	BUG Rating	B1 U0 G1	B1 U0 G1	B2 U0 G1	B2 U0 G2	B2 U0 G2
T2U	Lumens	3,613	4,751	5,868	6,827	7,400
	Lumens per Watt	154	144	136	129	123
	BUG Rating	B1 U0 G1	B1 U0 G1	B2 U0 G2	B2 U0 G2	B2 U0 G2
T3	Lumens	3,589	4,719	5,829	6,782	7,351
	Lumens per Watt	153	143	136	128	123
	BUG Rating	B1 U0 G1	B1 U0 G1	B1 U0 G1	B1 U0 G1	B1 U0 G2
T4W	Lumens	3,477	4,572	5,648	6,571	7,122
	Lumens per Watt	148	139	131	124	119
	BUG Rating	B1 U0 G1	B1 U0 G1	B1 U0 G1	B1 U0 G1	B1 U0 G2
5WQ	Lumens	3,638	4,784	5,909	6,875	7,452
	Lumens per Watt	155	145	137	130	124
	BUG Rating	B2 U0 G1	B3 U0 G1	B3 U0 G1	B3 U0 G1	B3 U0 G1

Lumen Maintenance

Ambient Temperature	25,000 hours*	50,000 hours*	60,000 hours*	100,000 hours*	L70*
25°C	98.1%	96.3%	95.6%	92.8%	>102,000
40°C	98.0%	96.1%	95.3%	92.3%	>102,000
50°C	97.8%	95.6%	94.8%	91.4%	>102,000

Note: * Calculations provided in accordance with IES TM-21-11 using the configuration resulting in highest LED temperature.

Lumen Multiplier

Ambient Temperature	Lumen Multiplier
0°C	1.02
10°C	1.01
25°C	1.00
40°C	0.99
50°C	0.97

FADC Settings

FADC Position	Percent of Typical Lumen Output
1	25%
2	48%
3	56%
4	65%
5	75%
6	80%
7	85%
8	90%
9	95%
10	100%

Note: +/-5% typical value

LED Color Multipliers

CRI	CCT					
	2200	2700	3000	4000	5000	
		Lumen Multiplier*				
70	0.83	0.92	0.95	1.00	1.00	
80	--	0.85	--	--	--	

Note: * Estimates, refer to IES files for accuracy.

Optical Distributions

