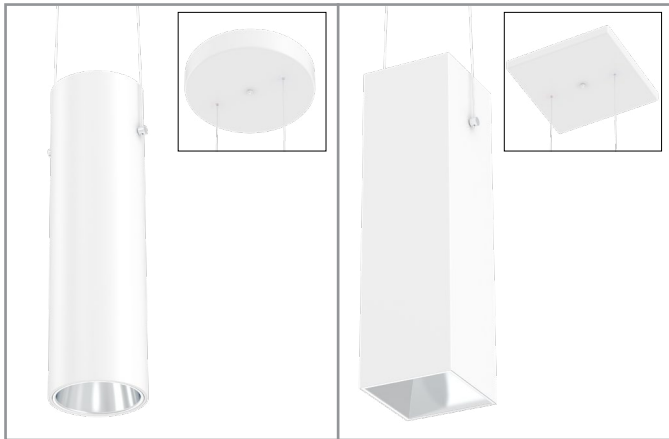


Project		Catalog #		Type	
Prepared by		Notes		Date	



Portfolio

LERS6C/LESQS6C Cylinders LuxWire Full Spectrum

6" Round and Square Shallow Cylinder
Surface, Ceiling, Wall, Up/Down, Yoke, Stem and Air Craft Cable Mount
98CRI

Typical Applications

Office • Education • Healthcare • Hospitality • Retail • Residential

Interactive Menu

- Order Information page 2
- Product Specifications page 4
- Energy Data page 5
- Connected Systems page 10
- Product Warranty

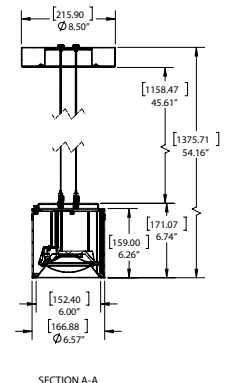
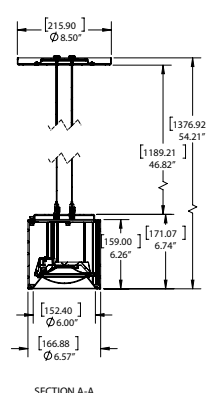
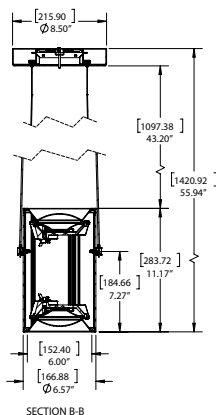
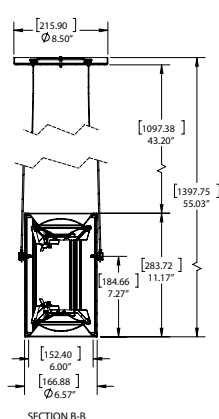


Top Product Features

- 250 to 3000 lumens
- LuxWire™ provides low voltage power to the cylinder via aircraft cable
- Extruded aluminum housing; Matte Black, White, Bronze and Silver paint finishes
- 5 color temperatures: 2700K, 3000K, 3500K, 4000K and 5000K CCT
- 98 CRI
- Options to meet Trade Agreements Act requirements

Dimensional and Mounting Details

additional product diagrams



*T24 and RoHS are self-tested by Cooper Lighting Solutions. Not a third party certification.

Order Information

SAMPLE ORDER NUMBER: **LERSPC6C10FSD010P**

Domestic Preferences ⁽³⁰⁾	Cylinder	Lumens	Color Control	Driver	Remote ⁽⁸⁾	Finish ⁽¹⁰⁾	Factory Installed Connected Lighting Options
<p>[Blank]=Standard TAA= Trade Agreements Act BAA=Buy American Act</p>	<p>Ceiling Mount Up/Down ⁽²⁵⁾ LESQUDPCS6C = 6-inch shallow up/down square, square opening LuxWire aircraft cable with power, limited to 3000 Lumens ⁽¹⁾ LESQRUDPCS6C = 6-inch shallow up/down square, round opening LuxWire aircraft cable with power, limited to 3000 Lumens ⁽²⁾ LERUDPCS6C = 6-inch shallow up/down round LuxWire aircraft cable with power, limited to 3000 Lumens ⁽²⁾</p> <p>Ceiling Mount Downlight ^{(22) (25)} LESQPCS6C = 6-inch shallow square, square aperture surface mount LuxWire aircraft cable with power 120" ⁽¹⁾ LESQRPCS6C = 6-inch shallow square with round aperture surface mount LuxWire aircraft cable with power 120" ⁽²⁾ LERPCS6C = 6-inch shallow round surface mount LuxWire aircraft cable with power 120" ⁽²⁾</p>	<p>02=250 lumens 05=500 lumens 08=800 lumens 10=1000 lumens 15=1500 lumens 20=2000 lumens 25=2500 lumens 30=3000 lumens</p>	<p>FS=Full spectrum (Thrive)</p>	<p>D010=0-10V Dimming, 1% to 100%, 120V-277V, 800-3000 lumens 3D010=0-10V Dimming, 1% to 100%, 347V, 800-3000 Lumens D010TR=0-10V (120-277V) or line voltage (120V) dimming, 1-100% DE010=0-10V Linear Dimming, 0.1% to 100%, 120V-277V, 500-3000 lumens D5LT=Fifth Light® DALI DT6 Logarithmic Dimming, 0.1% to 100%, 120V-277V, 500-3000 lumens DMX=DMX/RDM Logarithmic Dimming, 0.1% to 100%, 120V-277V, 800-3000 lumens ⁽⁶⁾ DMXC5=DMX/RDM Logarithmic Dimming, 0.1% to 100%, 120V-277V, with RJ45 connection, 800-3000 lumens ⁽⁶⁾ DLE=Lutron Ecosystem dimming 1% to 100%, 120-277V; 800-2500 Lumens DLV=Low Voltage System, 800-2000 lumens</p>	<p>blank=Integral driver R=Remote driver ⁽⁹⁾</p>	<p>P=White MB=Matte Black SL=Silver BZ=Bronze</p>	<p>WPN = WaveLinX PRO Wireless Node without sensor (use only with canopy mount driver) ^{(14) (35)} WLN = WaveLinX LITE Wireless Node without sensor ^{(14) (36)}</p>

SAMPLE ORDER NUMBER: **EC6C10259835**

Domestic Preferences ⁽³⁰⁾	Power Module	Lumen Levels ⁽¹⁵⁾	CRI	Color
<p>[Blank]=Standard TAA= Trade Agreements Act BAA=Buy American Act</p>	<p>EC6C=6-inch Universal LED Module</p>	<p>98 CRI THRIVE LED 0208=250, 500 and 800 lumens 98 CRI 1025=1000, 1500, 2000 and 2500 lumens, 98 CRI 3045=3000 lumens, 98 CRI</p>	<p>98=98CRI Minimum</p>	<p>98 CRI 27=2700K 30=3000K 35=3500K 40=4000K 50=5000K</p>

SAMPLE ORDER NUMBER: **6LBSS3LI**

Domestic Preferences ⁽³⁰⁾	Trim	Reflector	Finish
<p>[Blank]=Standard BAA= Buy American Act</p>	<p>6LB=6" LED</p>	<p>SS3=Round shallow spun aluminum SCS3=Round shallow die cast SCSSQ3=Square shallow die cast (for use with LESQDS, LESQS)</p>	<p>LI=Specular Clear⁽¹⁷⁾ H=Semi-Specular Clear⁽¹⁷⁾ WMH=Warm Haze⁽¹⁷⁾ WH=Wheat⁽¹⁷⁾ GPH=Graphite Haze⁽¹⁷⁾ B=Specular Black⁽¹⁷⁾ MW=Matte White MB=Matte Black⁽¹⁹⁾ MMS=Matte Metallic Silver⁽¹⁹⁾</p>

continued on next page

Order Information

REQUIRED if Remote Driver (R) is specified on Cylinder

Domestic Preferences ⁽⁸⁰⁾	Remote Drivers ⁽⁶⁾	Lumens	Color Control	Voltage	Driver
[Blank] =Standard TAA = Trade Agreements Act	RC100 =Remote 100 ft RC75 = Remote 75 ft RC50 = Remote 50 ft RC25 = Remote 25 ft RC15 = Remote 15 ft RC5 = Remote 5 ft RC2 = Remote 2 ft	02 =250 lumens 05 =500 lumens 08 =800 lumens 10 =1000 lumens 15 =1500 lumens 20 =2000 lumens 25 =2500 lumens 30 =3000 lumens	FS =Full spectrum (Thrive)	blank =120-277V (up to 2000 lumens) 1 =120V (2500-3000 lumens) 2 =277V (2500-3000 lumens) 3 =347V ⁽³⁴⁾	D010 =0-10V Dimming, 1% to 100%, 120V-277V, 800-3000 lumens D010TR =0-10V (120-277V) or line voltage (120V) dimming, 1-100% DE010 =0-10V Linear Dimming, 0.1% to 100%, 120V-277V, 500-3000 lumens D5LT =Fifth Light® DALI DT6 Logarithmic Dimming, 0.1% to 100%, 120V-277V, 500-3000 lumens DMX =DMX/RDM Logarithmic Dimming, 0.1% to 100%, 120V-277V, 800-3000 lumens ⁽⁶⁾ DMXC5 =DMX/RDM Logarithmic Dimming, 0.1% to 100%, 120V-277V, with RJ45 connection, 800-3000 lumens ⁽⁶⁾ DLE =Lutron Ecosystem dimming 1% to 100%, 120-277V; 1 driver: 800 to 2500 Lumens ⁽¹²⁾ DLV =Low Voltage System, 800-2000 lumens

Options ^{(31) (33)}	Controls ^{(31) (33)}
EMB0D =Bodine® Emergency Module with Remote Test Switch EMB0D6ST =Bodine® 6W Self Test Emergency Module with Remote Test Switch EM7 =7W Emergency Module with Remote Test Switch EM14 =14W Emergency Module with Remote Test Switch EMB0D7ST =Bodine® Self Test Emergency Module EMV7 =7W Low Voltage Emergency Module with Remote Test Switch ⁽²¹⁾ EMV14 =14W Low Voltage Emergency Module with Remote Test Switch ⁽²¹⁾ ETRD =Emergency transfer device ⁽³²⁾	WPST =Factory installed Wavelinx (includes control module, sensor, cable, tile mount and ceiling mount sensor) ^{(14) (28)} WLST =Factory installed WaveLinX Lite Sensor Kit ^{(14) (27)} WPN = WaveLinX PRO Wireless Node without sensor (use only with canopy mount driver) ^{(14) (35)} WLN = WaveLinX LITE Wireless Node without sensor ^{(14) (36)}

Domestic Preferences	Accessories
[Blank] =Standard TAA =Trade Agreements Act	Conduit Kit ⁽²⁶⁾ SMRCC6P = Round conduit canopy for surface mount, white SMRCC6MB = Round conduit canopy for surface mount, black SMRCC6BZ = Round conduit canopy for surface mount, bronze SMRCC6SL = Round conduit canopy for surface mount, silver

Notes

- (1) Square reflector
- (2) Round reflector
- (3) Square reflector, requires two reflectors and light engines
- (4) Round reflector, requires two reflectors and light engines
- (5) 347V integral D010 only, 800-3000 lumens for integral driver. 250-3000 lumens for remote driver.
- (6) DMX fixtures default to full on upon loss of DMX signal
- (8) Up down surface mount require 2 driver assemblies
- (9) Order remote driver separately. See below to order.
- (10) Consult factory for custom finishes. (12) Only available up to 25 ft.
- (13) Not available with up/down
- (14) Refer to system specifications for additional information, features, and benefits. Order either factory installed option or accessory. Use with 0-10V driver.
- (15) Nominal Lumens will vary depending on selected color, driver and reflector finish.
- (16) Beam angles are nominal with LI finish trims.
- (17) Not available on CS or BA distributions
- (19) Available only on CS distributions
- (20) 0-45° slope.

- (21) ULUS listed only
- (22) Lumen specified for up/down is the same for both directions. Ex. 800 lumens will be 800 lumens up & 800 lumens down.
- (24) Ceiling mount only
- (25) Canopy mount driver available for all drivers except DMX, omit R in ordering information
- (26) Not for use with remote driver
- (26) Not for use with remote driver
- (27) WLST = WaveLinX Lite tile mount sensor kit for daylight dimming, PIR motion sensing, use with D010 only (Refer to WaveLinX Lite system specifications)
- (28) WPST = WaveLinX wireless sensor kit for daylight dimming, PIR motion sensing, and optional RLTS - Real Time Location Services, use with 0-10V only
- (29) Limited to D010 drivers
- (30) To order product that is compliant with the Buy American Act of 1933 (BAA) or Trade Agreements Act (TAA), use the online specification configurator to specify BAA or TAA. Please refer to [DOMESTIC PREFERENCES LINK](#) for more information. Components shipped separately may be separately analyzed under domestic preference requirements. Accessories sold separately will be separately analyzed under domestic preference requirements.

- (31) 120V-277V
- (32) Used to bypass local control during outage. Must be used in conjunction with UL 1008 device (provided by others).
- (33) Non-IC
- (34) D010 800 to 2500 lumens (250, 500, and 3000 lumens use step down transformer) All other drivers use step down transformer.
- (35) WPN = WaveLinX PRO wireless node provides luminaire-level control with scene and zone configuration without an integrated sensor; Connects wirelessly with daylight dimming sensor and PIR motion sensor if desired. Use with 0-10V driver only.
- (36) WLN = WaveLinX LITE wireless node provides luminaire level control with scene and zone configuration without an integrated sensor; Connects wirelessly with daylight dimming sensor and PIR motion sensor if desired. Use with D010 or DE010 drivers only.

Product Specifications

Lower Reflector

- Painted die-cast aluminum or spun aluminum lower reflector with a lensed upper optical chamber provides superior lumen output with minimal source brightness
- Square surface mount available with square or round reflectors
- Spun reflectors are available in all Portfolio finishes

Trim retention

- Two torsion springs hold flange tightly to the cylinder lip

Cylinder

- Shallow round and soft square extruded aluminum
- Matte white, bronze, silver or matte black
- Available in standard and shallow heights
- Consult factory for custom finishes

Mounting

- LuxWire™ provides low voltage power to the cylinder via aircraft cable
- Mounting plate installs to mounted junction box
- Conduit canopy allows for mounting pendant and surface cylinder on hard ceilings provided in painted finish to match the cylinder accommodates ½" or ¾" conduit.

Thermal

- Aluminum heat sink conducts heat away from the LED module for optical performance and longer life

LED System

- Contains a plurality of high brightness white LED's combined with a high reflectance upper reflector and convex transitional lens producing even distribution without pixilation
- Auto resetting, thermally protected, LED's are turned off when safe operating temperatures are exceeded
- Quick disconnect allows for tool-less replacement of LED engine from below ceiling

High CRI

- 98 CRI: L70 55,000 hours
- **98 CRI** With a full-spectrum approach using broad-blue chip technology and special phosphor blends, Thrive is able to closely match the spectrum of the sun across all color temperatures. Benefits of the natural spectrum of the sun using Thrive include superior accurate color rendering, reduced eye strain, and a higher sense of emotional well-being.
- See dedicated specification sheet for more details.

Driver

- Standard 120-277V 0-10V dimming driver provides flicker-free dimming from 100% to 1%
- Optional 120V leading edge, <1% 0-10V, Fifth Light, DMX or Lutron®
- Remote driver option up to 100' based on driver selection
- Distributed low voltage power system combines power, lighting, and controls with ease of installation.

Emergency Option

- Provides 90 minutes of standby lighting, meeting most life safety codes for egress lighting
- Available Self-Test (self-diagnostic) with remote charge indicator and test switch
- Emergency Transfer Relay Device bypasses local control during a power outage
- UL 924 listed

Connected Lighting System

Two WaveLinX connected solutions to choose from. Refer to WaveLinX system specifications and application guides for details.

WaveLinX PRO Tilemount Sensor Kit

- WaveLinX PRO WPST tilemount sensor kit offers daylight dimming, PIR motion sensing, scene and zone configuration, automatic commissioning; and optional RLTS - Real Time Location Services available.

WaveLinX PRO Wireless Node

- WaveLinX PRO WPN wireless node provides luminaire-level control with scene and zone configuration without an integrated sensor; Connects wirelessly with daylight dimming sensor and PIR motion sensor if desired. Use with 0-10V driver only. **Note:** Not compatible with 347V or Chicago plenum.

WaveLinX LITE Tilemount Sensor Kit

- WaveLinX LITE WLST tilemount sensor kit offers daylight dimming and PIR motion sensing, scene and grouping configuration.

WaveLinX LITE Wireless Node

- WaveLinX LITE WLN wireless node provides luminaire level control with scene and zone configuration without an integrated sensor; Connects wirelessly with daylight dimming sensor and PIR motion sensor if desired. Use with 0-10V driver only. **Note:** Not compatible with 347V or Chicago plenum.

WaveLinX Tilemount Sensor Kits Application

- The WPST and WLST tilemount sensor kits include a control module mounted on the luminaire junction box via 1/2" knock-out, and a tilemount sensor on 54-inch whip; for ceiling installation by direct-mount spring clips or via mounting bracket in octagon ceiling boxes.
- The WPST and WLST tilemount sensor kits may be ordered as factory installed on the luminaire, or ordered separately as a field installed accessory kit.
- **Note: WaveLinX PRO devices are only compatible with the WaveLinX PRO system.**
- **Note: WaveLinX LITE devices are only compatible with the WaveLinX LITE system.**

Compliance

- cULus Certified to UL 1598 / Canada C22.2 No. 250.0
- EMI/RFI emissions per FCC 47CFR Part 18 Class B consumer limits
- RoHS compliant
- Photometric testing completed in accordance with IES LM-79
- LED life testing completed in accordance with IES LM-80 standards

Warranty

- Five year warranty www.cooperlighting.com/legal

*T24 and RoHS are self-tested by Cooper Lighting Solutions. Not a third party certification.

Energy and Performance Data

D010 DRIVER ENERGY DATA

Series	250 lumen		500 lumen		800 lumen		1000 lumen		1500 lumen		2000 lumen	
	120V	277V	120V	277V	120V	277V	120V	277V	120V	277V	120V	277V
Input Voltage 120-277VAC	120V	277V	120V	277V	120V	277V	120V	277V	120V	277V	120V	277V
Input Current (A)	0.029	0.017	0.061	0.032	0.085	0.041	0.084	0.042	0.135	0.063	0.189	0.084
Input Power (W)	3.45	3.87	7.33	7.78	10.15	10.52	10.04	10.43	16.17	16.56	22.58	22.63
In-rush (A)	2.1	8.5	3.7	8.5	3.6	8.3	3.6	8.4	2.3	9.5	2.1	9.7
Inrush duration (µs)	250	131	190	136	220	135	226	136	230	125	243	132
THDi (%)	7.21	16.92	7.82	10.78	5.57	9.63	7.78	9.24	4.75	9.93	8.03	7.44
PF	≥ 0.98	≥ 0.9	≥ 0.99	≥ 0.93	≥ 0.99	≥ 0.95	≥ 0.99	≥ 0.95	≥ 0.99	≥ 0.94	≥ 0.99	≥ 0.96

Series	2500 lumen		3000 lumen							
	120V	277V	120V	277V						
Input Voltage 120-277VAC	120V	277V	120V	277V						
Input Current (A)	0.276	0.121	0.276	0.121						
Input Power (W)	32.98	32.57	32	32.57						
In-rush (A)	2.5	11.8	3.6	11.8						
Inrush duration (µs)	215	111	220	111						
THDi (%)	9.86	6.57	5.57	6.57						
PF	≥ 0.99	≥ 0.97	≥ 0.99	≥ 0.99						

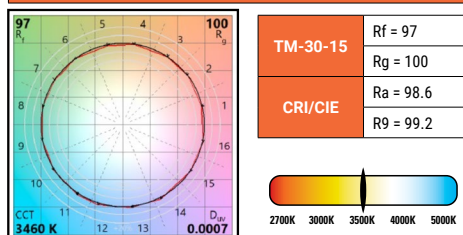
Minimum starting temperature -30°C (-22°F)*
(Nominal input 120-277VAC & 100% of rated output power)

Sound Rating: Class A standards

Notes:
Emergency Battery packs are rated for a minimum starting temperature of 0°C.

COLOR METRICS - TM-30-15 & CRI/CIE

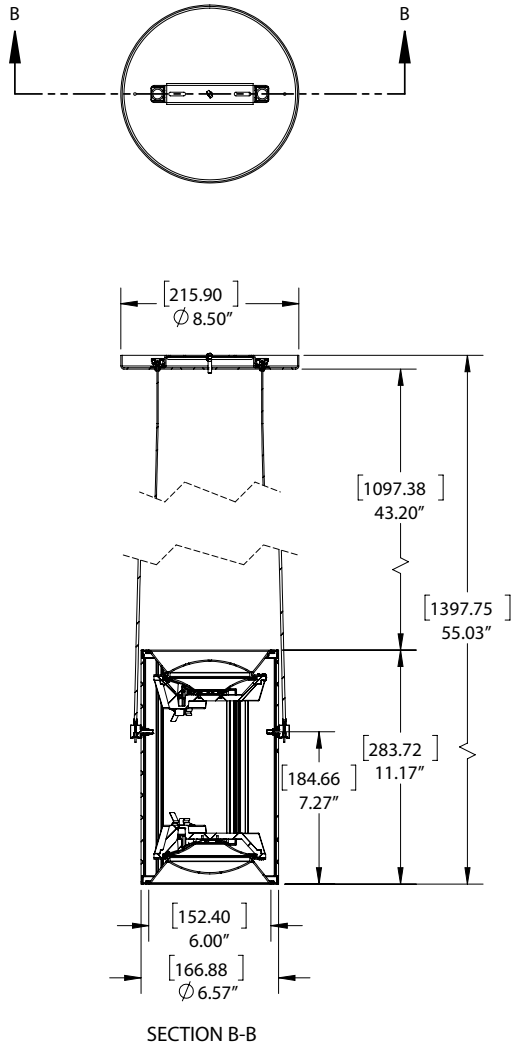
98 CRI Color Metric Summary - 3500K*



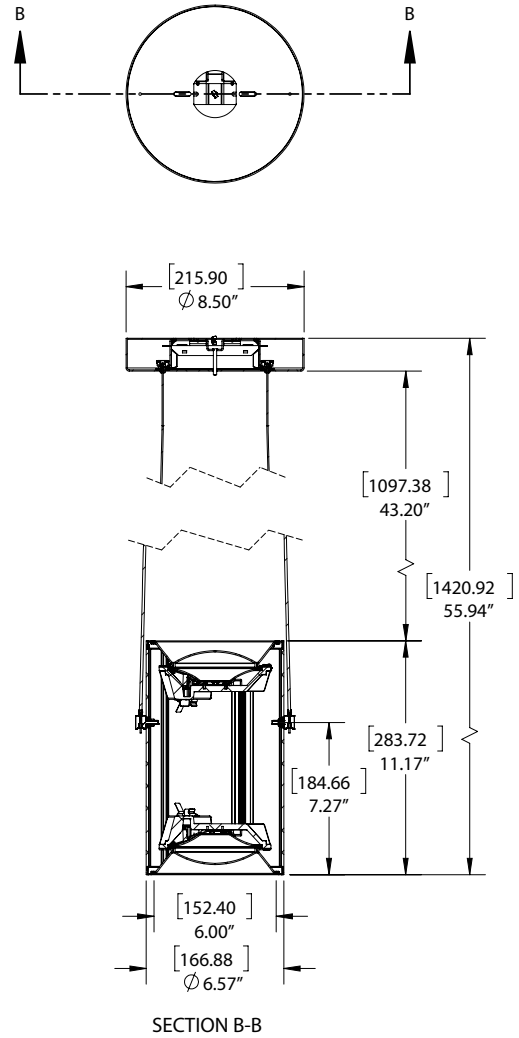
* Color values are based on haze reflector, other finishes and field results may vary.

Dimensional and Mounting Details

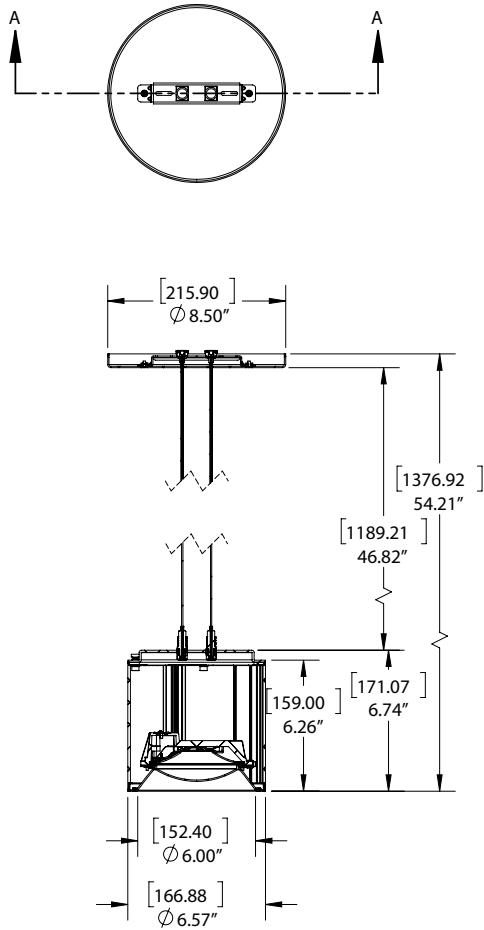
**6IN ROUND CYLINDER
STANDARD POWER CORD UP DOWN PENDANT**



**6IN ROUND CYLINDER
STANDARD POWER CORD UP DOWN PENDANT DRIVER**

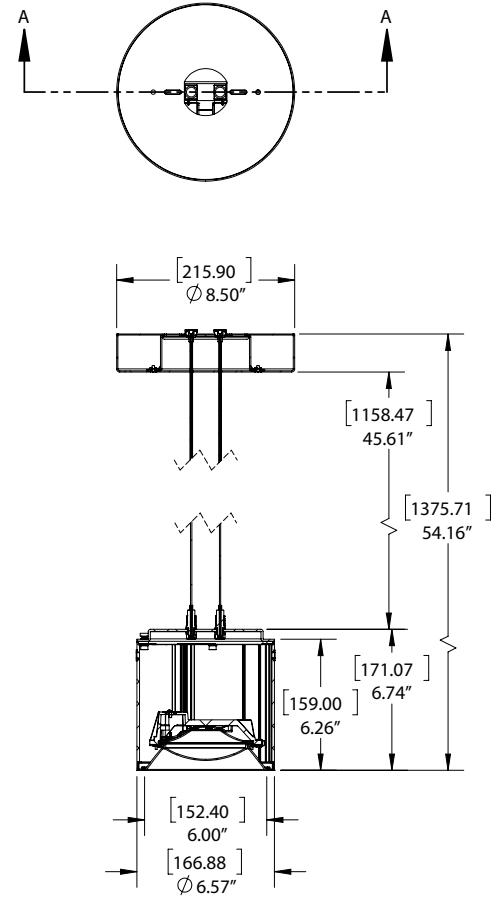


6IN ROUND CYLINDER
POWER CORD PENDANT



SECTION A-A

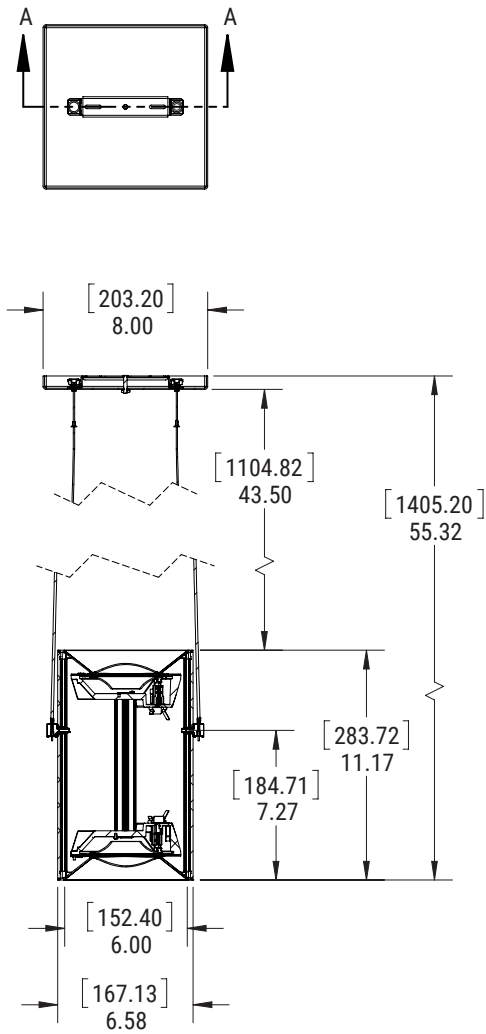
6IN ROUND CYLINDER
POWER CORD PENDANT DRIVER



SECTION A-A

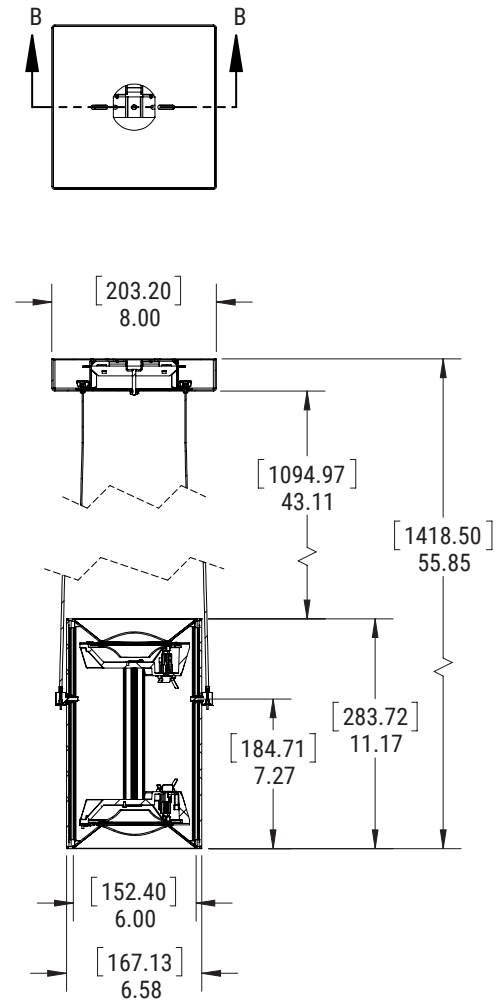
Dimensional and Mounting Details

**6IN SQUARE CYLINDER
STANDARD POWER CORD UP DOWN PENDANT**



SECTION A-A
SCALE 1 : 7

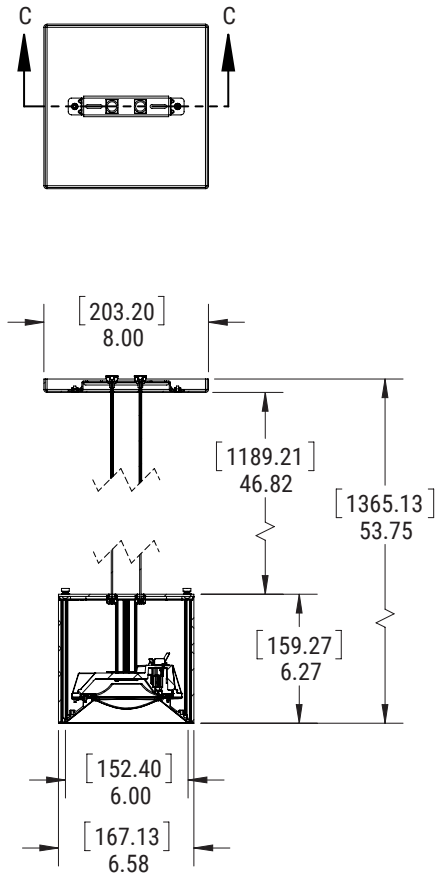
**6IN SQUARE CYLINDER
STANDARD POWER CORD UP DOWN PENDANT DRIVER**



SECTION B-B
SCALE 1 : 7

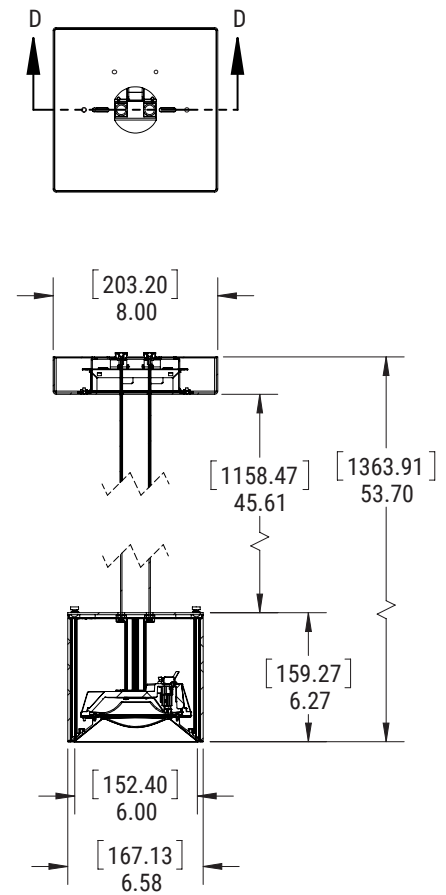
Dimensional and Mounting Details

**6IN SQUARE CYLINDER
POWER CORD PENDANT**



SECTION C-C
SCALE 1 : 7

**6IN SQUARE CYLINDER
POWER CORD PENDANT DRIVER**

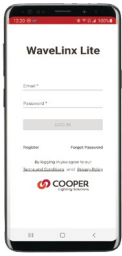


SECTION D-D
SCALE 1 : 7

Connected Systems

WaveLinx LITE - WLST Tilemount Sensor

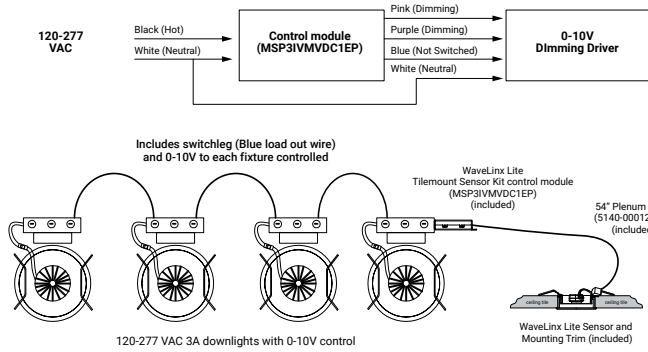
WaveLinx LITE devices only compatible with the WaveLinx LITE system.



- Intuitive Android™ or Apple® iOS® app for basic system code compliant set up and configuration via Bluetooth
- Up to 28 unique areas per project site (WaveLinx LITE Bluetooth network)
- Up to 50 devices for an area, any one of 16 control zones, up to 6 occupancy sets, and custom lighting scenes
- Automatic occupancy or vacancy, sensor sensitivity, daylight dimming, etc. configurable through the app
- Refer to the WaveLinx system specifications for details



WaveLinx LITE WLST Tilemount Wiring Diagram



WaveLinx LITE Bluetooth Enabled System



WaveLinx PRO Wireless – WPST Tilemount Sensor

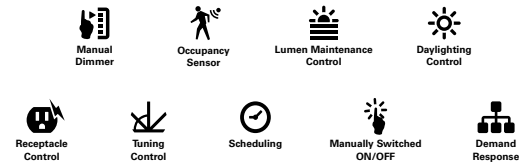
WaveLinx PRO devices only compatible with the WaveLinx PRO system.



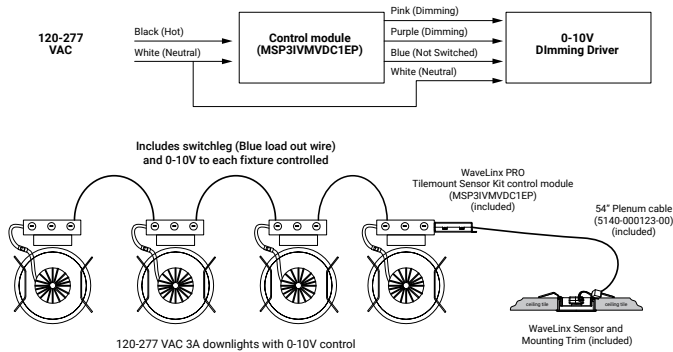
- WaveLinx PRO Wireless functionality configures zones and customizes settings from one secure mobile app
- Automatic code commissioning that meets the strictest codes
- Fixtures and sensors integrate with Wireless Area Controller, Wall Stations, and Control Devices
- Stand-Alone Offices or Entire Building Network Installations



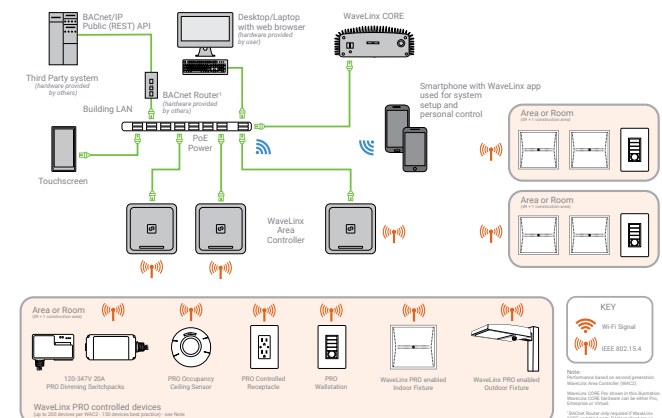
WaveLinx mobile app settings



WaveLinx PRO WPST Tilemount Wiring Diagram



WaveLinx CORE Building Management Integration



Connected Solutions



WaveLinx LITE Wireless Node - WLN

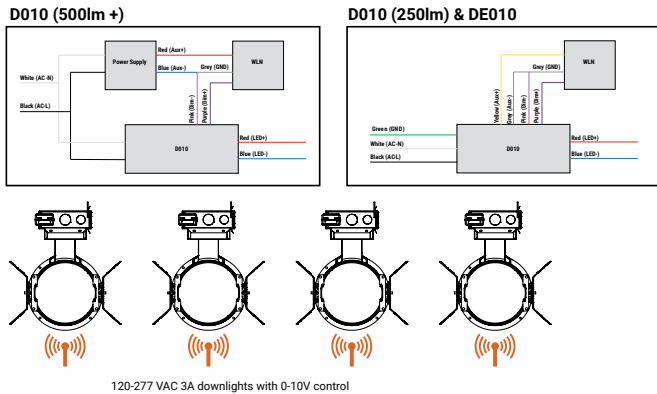
WaveLinx LITE devices only compatible with the WaveLinx LITE system.

- Intuitive Android™ or Apple® iOS® app for basic system code compliant set up and configuration via Bluetooth
- Up to 28 unique areas per project site (WaveLinx LITE Bluetooth network)
- Up to 50 devices for an area, any one of 16 control zones, up to 6 occupancy sets, and custom lighting scenes
- Refer to the WaveLinx system specifications for details
- Not available with BioUp or Tunable White

WaveLinx mobile app settings



WaveLinx LITE Wireless Node (WLN) Wiring Diagram



WaveLinx LITE Bluetooth Enabled System



WaveLinx PRO Wireless Node - WPN

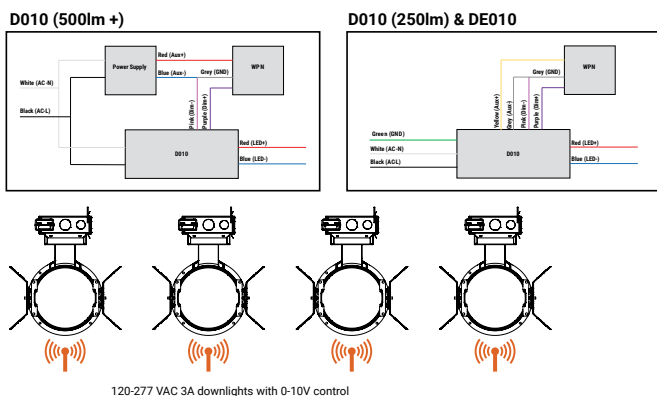
WaveLinx PRO devices only compatible with the WaveLinx PRO system.

- WaveLinx Wireless functionality configures zones and customizes settings from one secure mobile app
- Automatic code commissioning that meets the strictest codes
- Fixtures and sensors integrate with WaveLinx Area Controller, Wall Stations, and Control Devices
- Stand-Alone Offices or Entire Building Network Installations

WaveLinx mobile app settings



WaveLinx PRO Wireless Node (WPN) Wiring Diagram



WaveLinx CORE Building Management Integration

