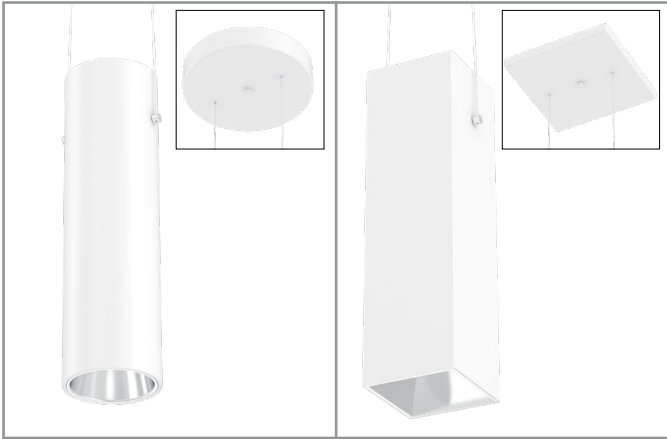


Project		Catalog #		Type	
Prepared by		Notes		Date	



Portfolio

LERPCS6C/LESQPCS6C LuxWire Cylinders

6" Round and Square Shallow Cylinder
LuxWire Power Over Cable

Typical Applications

Office • Education • Healthcare • Hospitality • Retail • Residential

Interactive Menu

- Order Information page 2
- Product Specification page 4
- Energy Data page 5
- Photometric Data page 6
- Connected Systems page 11
- Product Warranty

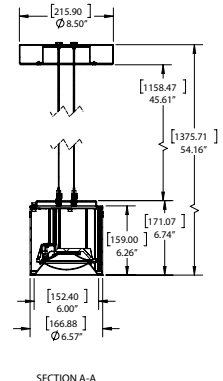
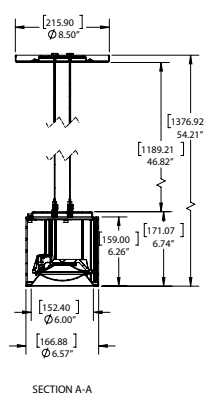
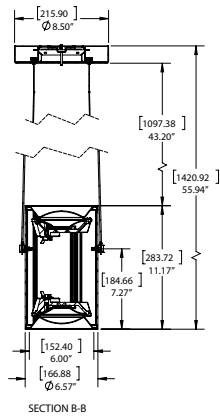
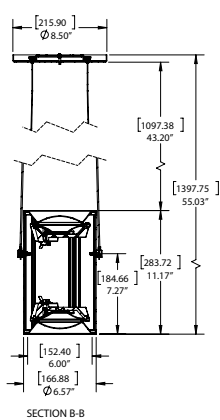


Top Product Features

- 250 to 3,000 lumens; Offered in 90 and 97 CRI; Downlight
- LuxWire™ provides low voltage power to the cylinder via aircraft cable
- Extruded aluminum housing; Matte Black, White, Bronze and Silver paint finishes
- 6 color temperatures: 2400K, 2700K, 3000K, 3500K, 4000K and 5000K CCT
- Options to meet Trade Agreements Act requirements
- Downlight and Up/Down, Round and Square

Dimensional and Mounting Details

additional product diagrams



*T24 and RoHS are self-tested by Cooper Lighting Solutions. Not a third party certification.

Order Information

SAMPLE ORDER NUMBER: **LERSPC6C10D010P**

Domestic Preferences ⁽³⁰⁾	Cylinder	Lumens	Driver	Remote ⁽⁸⁾	Finish ⁽¹⁰⁾	Factory Installed Connected Lighting Options
[Blank] =Standard TAA = Trade Agreements Act BAA =Buy American Act	LuxWire Aircraft Cable Up/Down Mount ^{(20) (25)} LESQUDPCS6C = 6-inch shallow up/down square, square opening LuxWire aircraft cable with power, limited to 3000 Lumens ⁽³⁾ LESQRUDPCS6C = 6-inch shallow up/down square, round opening LuxWire aircraft cable with power, limited to 3000 Lumens ⁽⁴⁾ LERUDPCS6C = 6-inch shallow up/down round LuxWire aircraft cable with power, limited to 3000 Lumens ⁽⁴⁾ LuxWire Ceiling Mount Downlight ⁽²⁵⁾ LESQPCS6C = 6-inch shallow square, square aperture surface mount LuxWire aircraft cable with power 120" ⁽¹⁾ LESQRPCS6C = 6-inch shallow square with round aperture surface mount LuxWire aircraft cable with power 120" ⁽²⁾ LERPCS6C = 6-inch shallow round surface mount LuxWire aircraft cable with power 120" ⁽²⁾	02 =250 lumens 05 =500 lumens 08 =800 lumens 10 =1000 lumens 15 =1500 lumens 20 =2000 lumens 25 =2500 lumens 30 =3000 lumens	D010 =0-10V Dimming, 1% to 100%, 120V-277V, 500-3000 lumens 3D010 =0-10V Dimming, 1% to 100%, 347V, 800-3000 Lumens (500 lumens require a Remote Driver) D010TR =0-10V (120-277V) or line voltage (120V) dimming, 1-100% DE010 =0-10V Linear Dimming, 0.1% to 100%, 120V-277V, 500-3000 lumens DSL =Fifth Light® DALI DT6 Logarithmic Dimming, 0.1% to 100%, 120V-277V, 500-3000 lumens DMX =DMX/RDM Logarithmic Dimming, 0.1% to 100%, 120V-277V, 800-3000 lumens ⁽⁶⁾ DMXC5 =DMX/RDM Logarithmic Dimming, 0.1% to 100%, 120V-277V, with RJ45 connection, 800-3000 lumens ⁽⁶⁾ DLE =Lutron Ecosystem dimming 1% to 100%, 120-277V; 800 to 3000 Lumens DLV =Low Voltage System, 800-3000 lumens	blank =Canopy mount driver (not offered with DMX) R =Remote driver ⁽⁹⁾	P =White MB =Matte Black SL =Silver BZ =Bronze	WPN = WaveLinX PRO Wireless Node without sensor (use only with canopy mount driver) ^{(14) (22)} WLN = WaveLinX LITE Wireless Node without sensor ^{(14) (23)}

SAMPLE ORDER NUMBER: **EC6C10259035**

Domestic Preferences ⁽³⁰⁾	Power Module	Lumen Levels ⁽¹⁵⁾	Color
[Blank] =Standard TAA = Trade Agreements Act BAA =Buy American Act	EC6C =6-inch cylinder light engine	0208 =250, 500, 800 lumens 1025 =1000, 1500, 2000 or 2500 Lumens 3035 =3000 lumens	90 CRI 9024 = 90CRI, 2400K 9027 = 90CRI, 2700K 9030 = 90CRI, 3000K 9035 = 90CRI, 3500K 9040 = 90CRI, 4000K 9050 = 90CRI, 5000K 97 CRI 9727 = 97CRI, 2700K 9730 = 97CRI, 3000K
TAA = Trade Agreements Act	ECA6C =6-inch cylinder adjustable light engine (use with 6LBA3 trim) ⁽³⁸⁾	0235 =250 - 3000 lumens	

SAMPLE ORDER NUMBER: **6LBSS3LI**

Domestic Preferences	Trim	Reflector	Finish
[Blank] =Standard BAA =Buy American Act (SS3 spun trim only)	6LB =6" Reflector	SS3 =Round shallow spun aluminum SCS3 =Round shallow die cast SCSSQ3 =Square shallow die cast (for use with LESQDS, LESQS)	LI =Specular Clear ⁽¹⁷⁾ H =Semi-Specular Clear ⁽¹⁷⁾ WMH =Warm Haze ⁽¹⁷⁾ WH =Wheat ⁽¹⁷⁾ GPH =Graphite Haze ⁽¹⁷⁾ B =Specular Black ⁽¹⁷⁾ MW =Matte White MB =Matte Black ⁽¹⁸⁾ MMS =Matte Metallic Silver ⁽¹⁸⁾
	6LBA3 = 0-30° directional ⁽³⁵⁾		MW =Matte White MB =Matte Black MMS =Matte Metallic Silver

continued on next page

Order Information

REQUIRED if Remote Driver (R) is specified on Cylinder

Domestic Preferences ⁽⁸⁰⁾	Remote Drivers ⁽⁶⁾	Lumens	Voltage	Driver	Options ^{(31) (33)}	Controls ^{(31) (33)}
[Blank] =Standard TAA = Trade Agreements Act	RC100 =Remote 100 ft RC75 = Remote 75 ft RC50 = Remote 50 ft RC25 = Remote 25 ft RC15 = Remote 15 ft RC5 = Remote 5 ft RC2 = Remote 2 ft	02 =250 lumens 05 =500 lumens 08 =800 lumens 10 =1000 lumens 15 =1500 lumens 20 =2000 lumens 25 =2500 lumens 30 =3000 lumens	blank =120-277V 3 =347V ⁽³⁴⁾	D010 =0-10V Dimming, 1% to 100%, 120V-277V, 500-3000 lumens D010TR =0-10V (120-277V) or line voltage (120V) dimming, 1-100% DE010 =0-10V Linear Dimming, 0.1% to 100%, 120V-277V, 500-3000 lumens D5LT =Fifth Light® DALI DT6 Logarithmic Dimming, 0.1% to 100%, 120V-277V, 800-3000 lumens ⁽⁶⁾ DMX =DMX/RDM Logarithmic Dimming, 0.1% to 100%, 120V-277V, 800-3000 lumens ⁽⁶⁾ DMXC5 =DMX/RDM Logarithmic Dimming, 0.1% to 100%, 120V-277V, with RJ45 connection, 800-3000 lumens ⁽⁶⁾ DLE =Lutron Ecosystem dimming 1% to 100%, 120-277V; 800 to 3000 Lumens ⁽¹²⁾ DLV =Low Voltage System, 800-3000 lumens	EMBOD =Bodine® Emergency Module with Remote Test Switch EMBOD6ST =Bodine® 6W Self Test Emergency Module with Remote Test Switch EM7 =7W Emergency Module with Remote Test Switch EM14 =14W Emergency Module with Remote Test Switch EMBOD7ST =Bodine® Self Test Emergency Module EMV7 =7W Low Voltage Emergency Module with Remote Test Switch ⁽²¹⁾ EMV14 =14W Low Voltage Emergency Module with Remote Test Switch ⁽²¹⁾ ETRD =Emergency transfer device ⁽³²⁾	WPST =Factory installed WaveLinx (includes control module, sensor, cable, tile mount and ceiling mount sensor) ^{(14) (28)} WLST =Factory installed WaveLinx Lite Sensor Kit ^{(14) (27)} WPN = WaveLinx PRO Wireless Node without sensor (use only with canopy mount driver) ^{(14) (22)} WLN = WaveLinx LITE Wireless Node without sensor ^{(14) (23)}

Domestic Preferences	Accessories
[Blank] =Standard TAA =Trade Agreements Act	Connected Lighting Systems ⁽¹⁴⁾ WPST =Field installed WaveLinx sensor Kit ⁽²⁸⁾ WLST =Field installed WaveLinx Lite Sensor Kit ⁽²⁷⁾

Notes

- (1) Square reflector
- (2) Round reflector
- (3) Square reflector, requires two reflectors and light engines
- (4) Round reflector, requires two reflectors and light engines
- (6) DMX fixtures default to full on upon loss of DMX signal
- (8) Up down surface mount require 2 driver assemblies
- (9) Order remote driver separately. See below to order.
- (10) Consult factory for custom finishes.
- (12) Only available up to 25 ft.
- (14) Refer to system specifications for additional information, features, and benefits. Order either factory installed option or accessory. Use with 0-10V driver. WPN is factory installed only.
- (15) Nominal Lumens will vary depending on selected color, driver and reflector finish.
- (16) Beam angles are nominal with LI finish trims.
- (17) Anodized or spun trims
- (18) Die cast trims
- (20) Lumen specified for up/down is the same for both directions. Ex. 800 lumens will be 800 lumens up & 800 lumens down.
- (21) ULus listed only

- (22) WPN = WaveLinx PRO wireless node provides luminaire-level control with scene and zone configuration without an integrated sensor; Connects wirelessly with daylight dimming sensor and PIR motion sensor if desired. Use with 0-10V driver only.
- (23) WLN = WaveLinx LITE wireless node provides luminaire level control with scene and zone configuration without an integrated sensor; Connects wirelessly with daylight dimming sensor and PIR motion sensor if desired. Use with D010 or DE010 drivers only.
- (26) Not for use with remote driver
- (27) WLST = WaveLinx Lite tile mount sensor kit for daylight dimming, PIR motion sensing, use with D010 only (Refer to WaveLinx Lite system specifications)
- (28) WPST = WaveLinx wireless sensor kit for daylight dimming, PIR motion sensing, and optional RLTS - Real Time Location Services, use with 0-10V only
- (30) To order product that is compliant with the Buy American Act of 1933 (BAA) or Trade Agreements Act (TAA), use the online specification configurator to specify BAA or TAA. Please refer to [DOMESTIC PREFERENCES LINK](#) for more information. Components shipped separately may be separately analyzed under domestic preference requirements. Accessories sold separately will be separately analyzed under domestic preference requirements.
- (31) 120V-277V

- (32) Used to bypass local control during outage. Must be used in conjunction with UL 1008 device (provided by others). (33) Non-IC
- (34) D010 800 to 3000 lumens.(250 and 500 lumens, and other drivers use step down transformer)
- (35) Order with ECA6C light engine
- (38) Downlight only

Product Specifications

Lower Reflector

- Painted die-cast aluminum or spun aluminum lower reflector with a lensed upper optical chamber provides superior lumen output with minimal source brightness
- Square surface mount available with square or round reflectors
- Spun reflectors are available in all Portfolio finishes
- Directional with baffle tilts from 0-30°

Trim retention

- Two torsion springs hold flange tightly to the cylinder lip

Cylinder

- Shallow round and soft square extruded aluminum
- Matte white, bronze, silver or matte black
- Available in standard and shallow heights
- Consult factory for custom finishes

Mounting

- LuxWire™ provides low voltage power to the cylinder via aircraft cable
- Mounting plate installs to mounted junction box
- Conduit canopy allows for mounting pendant and surface cylinder on hard ceilings provided in painted finish to match the cylinder accommodates ½" or ¾" conduit.

Thermal

- Aluminum heat sink conducts heat away from the LED module for optical performance and longer life

LED System

- Contains a plurality of high brightness white LED's combined with a high reflectance upper reflector and convex transitional lens producing even distribution without pixilation
- Auto resetting, thermally protected, LED's are turned off when safe operating temperatures are exceeded
- Quick disconnect allows for tool-less replacement of LED engine from below ceiling
- 90 and 97 CRI
- 90 & 97CRI: L78 55,000 hours for 1000-2000 lumens, L90 55,000 for all other lumen output
- Color variation within 2-step MacAdam ellipses
- Available in 2400K, 2700K, 3000K, 3500K, 4000K and 5000K correlated color temperature (CCT)

Vividtune and High CRI

- 98 CRI and W2N: L70 55,000 hours
- D2W™ – dim-to-warm shifts CCT from 3000K to 1850K as fixture dims mimicking halogen sources.
- W2N - Tunable white CCT range 2700K to 6500K or 2000K to 5000K, 90 CRI. Standard
- **98 CRI** With a full-spectrum approach using broad-blue chip technology and special phosphor blends, Thrive is able to closely match the spectrum of the sun across all color temperatures. Benefits of the natural spectrum of the sun using Thrive include superior accurate color rendering, reduced eye strain, and a higher sense of emotional well-being.
- See dedicated specification sheet for more details.

Driver

- Standard 120-277V 0-10V dimming driver provides flicker-free dimming from 100% to 1%
- Optional 120V leading edge, <1% 0-10V, Fifth Light, DMX or Lutron®
- Remote driver option up to 100' based on driver selection
- Distributed low voltage power system combines power, lighting, and controls with ease of installation.

Connected Lighting System

Two WaveLinX connected solutions to choose from. Refer to WaveLinX system specifications and application guides for details.

WaveLinX PRO Tilemount Sensor Kit

- WaveLinX PRO WPST tilemount sensor kit offers daylight dimming, PIR motion sensing, scene and zone configuration, automatic commissioning; and optional RLTS - Real Time Location Services available.

WaveLinX PRO Wireless Node

- WaveLinX PRO WPN wireless node provides luminaire-level control with scene and zone configuration without an integrated sensor; Connects wirelessly with daylight dimming sensor and PIR motion sensor if desired. Use with 0-10V driver only. **Note:** Not compatible with 347V or Chicago plenum.

WaveLinX LITE Tilemount Sensor Kit

- WaveLinX LITE WLST tilemount sensor kit offers daylight dimming and PIR motion sensing, scene and grouping configuration.

WaveLinX LITE Wireless Node

- WaveLinX LITE WLN wireless node provides luminaire level control with scene and zone configuration without an integrated sensor; Connects wirelessly with daylight dimming sensor and PIR motion sensor if desired. Use with 0-10V driver only. **Note:** Not compatible with 347V or Chicago plenum.

WaveLinX Tilemount Sensor Kits Application

- The WPST and WLST tilemount sensor kits include a control module mounted on the luminaire junction box via 1/2" knock-out, and a tilemount sensor on 54-inch whip; for ceiling installation by direct-mount spring clips or via mounting bracket in octagon ceiling boxes.
- The WPST and WLST tilemount sensor kits may be ordered as factory installed on the luminaire, or ordered separately as a field installed accessory kit.
- **Note: WaveLinX PRO devices are only compatible with the WaveLinX PRO system.**
- **Note: WaveLinX LITE devices are only compatible with the WaveLinX LITE system.**

Compliance

- cULus Certified to UL 1598 / Canada C22.2 No. 250.0
- EMI/RFI emissions per FCC 47CFR Part 18 Class B consumer limits
- RoHS compliant
- Photometric testing completed in accordance with IES LM-79
- LED life testing completed in accordance with IES LM-80 standards

Warranty

- Five year warranty www.cooperlighting.com/legal

*T24 and RoHS are self-tested by Cooper Lighting Solutions. Not a third party certification.

Energy Data

D010 DRIVER ENERGY DATA

Series	250 lumen		500 lumen		800 lumen		1000 lumen		1500 lumen		2000 lumen	
	120V	277V	120V	277V	120V	277V	120V	277V	120V	277V	120V	277V
Input Voltage 120-277VAC	120V	277V	120V	277V	120V	277V	120V	277V	120V	277V	120V	277V
Input Current (A)	0.029	0.017	0.061	0.032	0.085	0.041	0.084	0.042	0.135	0.063	0.189	0.084
Input Power (W)	3.45	3.87	7.33	7.78	10.15	10.52	10.04	10.43	16.17	16.56	22.58	22.63
In-rush (A)	2.1	8.5	3.7	8.5	3.6	8.3	3.6	8.4	2.3	9.5	2.1	9.7
Inrush duration (µs)	250	131	190	136	220	135	226	136	230	125	243	132
THDi (%)	7.21	16.92	7.82	10.78	5.57	9.63	7.78	9.24	4.75	9.93	8.03	7.44
PF	≥ 0.98	≥ 0.9	≥ 0.99	≥ 0.93	≥ 0.99	≥ 0.95	≥ 0.99	≥ 0.95	≥ 0.99	≥ 0.94	≥ 0.99	≥ 0.96

Series	2500 lumen		3000 lumen	
	120V	277V	120V	277V
Input Voltage 120-277VAC	120V	277V	120V	277V
Input Current (A)	0.276	0.121	0.276	0.121
Input Power (W)	32.98	32.57	32	32.57
In-rush (A)	2.5	11.8	3.6	11.8
Inrush duration (µs)	215	111	220	111
THDi (%)	9.86	6.57	5.57	6.57
PF	≥ 0.99	≥ 0.97	≥ 0.99	≥ 0.99

Minimum starting temperature -30°C (-22°F)*
(Nominal input 120-277VAC & 100% of rated output power)

Sound Rating: Class A standards

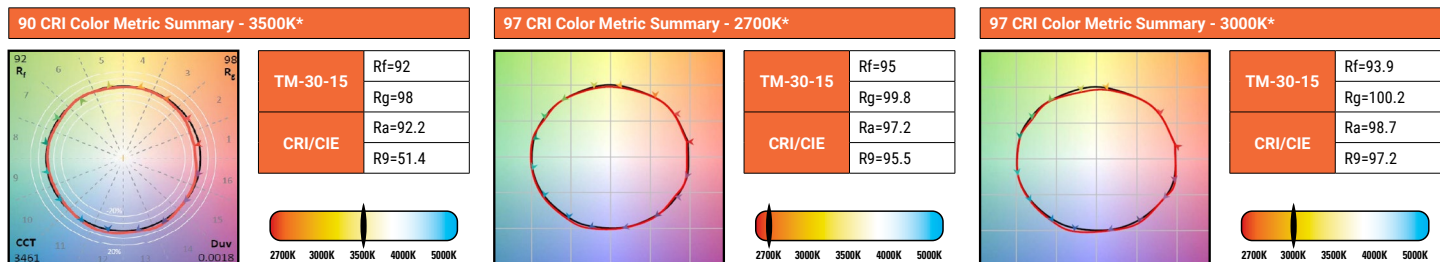
EMI/RFI: FCC Title 47 CFR, Part 15, Class B (Consumer)

Input Frequency: 50/60Hz

Notes:

Emergency Battery packs are rated for a minimum starting temperature of 0°C.

COLOR METRICS - TM-30-15 & CRI/CIE



* Color values are based on haze reflector, other finishes and field results may vary.

Beam Angles

Trim	Beam Angle
6LBMH	MEDIUM 60° BEAM (H)
6LBMLI	MEDIUM 55° BEAM (LI)
6LBNH	NARROW 55° BEAM (H)
6LBNLI	NARROW 30° BEAM (LI)
6LBSH	SHALLOW 85° BEAM (H)
6LBSLI	SHALLOW 70° BEAM (LI)
6LBWH	WIDE 80° BEAM (H)

Trim	Beam Angle
6LBWLI	WIDE 80° BEAM (LI)
6LBWNLI	SINGLE WALL WASH (LI)
6LBLSWWH	LENSED WALL WASH (H)
6LBLSWWLI	LENSED WALL WASH (LI)
6LBMDH	MEDIUM BEAM 45° CUTOFF 50° BEAM (H)
6LBMDLI	MEDIUM BEAM 45° CUTOFF 50° BEAM (LI)

Photometric Data

[View IES files](#)

SHALLOW 85° BEAM (H)		CANDLEPOWER DISTRIBUTION				CONE OF LIGHT				CANDELA TABLE		ZONAL LUMEN SUMMARY			LUMINANCE																																																								
Test Number	P571662									<table border="1"> <thead> <tr> <th>Degrees Vertical</th> <th>Candela</th> </tr> </thead> <tbody> <tr><td>0</td><td>1125</td></tr> <tr><td>5</td><td>1116</td></tr> <tr><td>15</td><td>1021</td></tr> <tr><td>25</td><td>864</td></tr> <tr><td>35</td><td>694</td></tr> <tr><td>45</td><td>526</td></tr> <tr><td>55</td><td>343</td></tr> <tr><td>65</td><td>168</td></tr> <tr><td>75</td><td>40</td></tr> <tr><td>85</td><td>0</td></tr> <tr><td>90</td><td>0</td></tr> </tbody> </table>	Degrees Vertical	Candela	0	1125	5	1116	15	1021	25	864	35	694	45	526	55	343	65	168	75	40	85	0	90	0	<table border="1"> <thead> <tr> <th>Zone</th> <th>Lumens</th> <th>% Fixture</th> </tr> </thead> <tbody> <tr><td>0-30</td><td>790</td><td>36.7</td></tr> <tr><td>0-40</td><td>1224</td><td>56.9</td></tr> <tr><td>0-60</td><td>1936</td><td>90</td></tr> <tr><td>0-90</td><td>2151</td><td>100</td></tr> <tr><td>90-180</td><td>0</td><td>0</td></tr> <tr><td>0-180</td><td>2151</td><td>100</td></tr> </tbody> </table>	Zone	Lumens	% Fixture	0-30	790	36.7	0-40	1224	56.9	0-60	1936	90	0-90	2151	100	90-180	0	0	0-180	2151	100	<table border="1"> <thead> <tr> <th>Average Candela Degrees</th> <th>Average 0° Luminance</th> </tr> </thead> <tbody> <tr><td>37</td><td>45292</td></tr> <tr><td>45</td><td>40764</td></tr> <tr><td>55</td><td>32821</td></tr> <tr><td>65</td><td>21818</td></tr> <tr><td>75</td><td>8536</td></tr> <tr><td>85</td><td>0</td></tr> </tbody> </table>	Average Candela Degrees	Average 0° Luminance	37	45292	45	40764	55	32821	65	21818	75	8536	85	0
Degrees Vertical	Candela																																																																						
0	1125																																																																						
5	1116																																																																						
15	1021																																																																						
25	864																																																																						
35	694																																																																						
45	526																																																																						
55	343																																																																						
65	168																																																																						
75	40																																																																						
85	0																																																																						
90	0																																																																						
Zone	Lumens	% Fixture																																																																					
0-30	790	36.7																																																																					
0-40	1224	56.9																																																																					
0-60	1936	90																																																																					
0-90	2151	100																																																																					
90-180	0	0																																																																					
0-180	2151	100																																																																					
Average Candela Degrees	Average 0° Luminance																																																																						
37	45292																																																																						
45	40764																																																																						
55	32821																																																																						
65	21818																																																																						
75	8536																																																																						
85	0																																																																						
Housing	LE*S6C20D010	<table border="1"> <thead> <tr> <th>D</th> <th>FC</th> <th>L</th> <th>W</th> </tr> </thead> <tbody> <tr><td>4'</td><td>70.3</td><td>4.2</td><td>4.2</td></tr> <tr><td>7'</td><td>23</td><td>7.4</td><td>7.4</td></tr> <tr><td>9'</td><td>13.9</td><td>9.4</td><td>9.4</td></tr> <tr><td>13'</td><td>6.7</td><td>13.6</td><td>13.6</td></tr> <tr><td>16'</td><td>4.4</td><td>16.8</td><td>16.8</td></tr> </tbody> </table>		D	FC	L	W	4'	70.3	4.2	4.2	7'	23	7.4	7.4	9'	13.9	9.4	9.4	13'	6.7	13.6	13.6	16'	4.4	16.8	16.8																																												
D	FC	L	W																																																																				
4'	70.3	4.2	4.2																																																																				
7'	23	7.4	7.4																																																																				
9'	13.9	9.4	9.4																																																																				
13'	6.7	13.6	13.6																																																																				
16'	4.4	16.8	16.8																																																																				
Module	EU6C10259035	<table border="1"> <thead> <tr> <th>Degrees Vertical</th> <th>Candela</th> </tr> </thead> <tbody> <tr><td>0</td><td>1125</td></tr> <tr><td>5</td><td>1116</td></tr> <tr><td>15</td><td>1021</td></tr> <tr><td>25</td><td>864</td></tr> <tr><td>35</td><td>694</td></tr> <tr><td>45</td><td>526</td></tr> <tr><td>55</td><td>343</td></tr> <tr><td>65</td><td>168</td></tr> <tr><td>75</td><td>40</td></tr> <tr><td>85</td><td>0</td></tr> <tr><td>90</td><td>0</td></tr> </tbody> </table>		Degrees Vertical	Candela	0	1125	5	1116	15	1021	25	864	35	694	45	526	55	343	65	168	75	40	85	0	90	0																																												
Degrees Vertical	Candela																																																																						
0	1125																																																																						
5	1116																																																																						
15	1021																																																																						
25	864																																																																						
35	694																																																																						
45	526																																																																						
55	343																																																																						
65	168																																																																						
75	40																																																																						
85	0																																																																						
90	0																																																																						
Trim	6LBSH	<table border="1"> <thead> <tr> <th>Zone</th> <th>Lumens</th> <th>% Fixture</th> </tr> </thead> <tbody> <tr><td>0-30</td><td>790</td><td>36.7</td></tr> <tr><td>0-40</td><td>1224</td><td>56.9</td></tr> <tr><td>0-60</td><td>1936</td><td>90</td></tr> <tr><td>0-90</td><td>2151</td><td>100</td></tr> <tr><td>90-180</td><td>0</td><td>0</td></tr> <tr><td>0-180</td><td>2151</td><td>100</td></tr> </tbody> </table>		Zone	Lumens	% Fixture	0-30	790	36.7	0-40	1224	56.9	0-60	1936	90	0-90	2151	100	90-180	0	0	0-180	2151	100																																															
Zone	Lumens	% Fixture																																																																					
0-30	790	36.7																																																																					
0-40	1224	56.9																																																																					
0-60	1936	90																																																																					
0-90	2151	100																																																																					
90-180	0	0																																																																					
0-180	2151	100																																																																					
Lumens	2151	<table border="1"> <thead> <tr> <th>Average Candela Degrees</th> <th>Average 0° Luminance</th> </tr> </thead> <tbody> <tr><td>37</td><td>45292</td></tr> <tr><td>45</td><td>40764</td></tr> <tr><td>55</td><td>32821</td></tr> <tr><td>65</td><td>21818</td></tr> <tr><td>75</td><td>8536</td></tr> <tr><td>85</td><td>0</td></tr> </tbody> </table>		Average Candela Degrees	Average 0° Luminance	37	45292	45	40764	55	32821	65	21818	75	8536	85	0																																																						
Average Candela Degrees	Average 0° Luminance																																																																						
37	45292																																																																						
45	40764																																																																						
55	32821																																																																						
65	21818																																																																						
75	8536																																																																						
85	0																																																																						
Efficacy	98.7 Lm/W																																																																						
SC	1.06																																																																						

SHALLOW 70° BEAM (LI)		CANDLEPOWER DISTRIBUTION				CONE OF LIGHT				CANDELA TABLE		ZONAL LUMEN SUMMARY			LUMINANCE																																																								
Test Number	P571663									<table border="1"> <thead> <tr> <th>Degrees Vertical</th> <th>Candela</th> </tr> </thead> <tbody> <tr><td>0</td><td>1405</td></tr> <tr><td>5</td><td>1383</td></tr> <tr><td>15</td><td>1175</td></tr> <tr><td>25</td><td>913</td></tr> <tr><td>35</td><td>695</td></tr> <tr><td>45</td><td>523</td></tr> <tr><td>55</td><td>338</td></tr> <tr><td>65</td><td>163</td></tr> <tr><td>75</td><td>38</td></tr> <tr><td>85</td><td>0</td></tr> <tr><td>90</td><td>0</td></tr> </tbody> </table>	Degrees Vertical	Candela	0	1405	5	1383	15	1175	25	913	35	695	45	523	55	338	65	163	75	38	85	0	90	0	<table border="1"> <thead> <tr> <th>Zone</th> <th>Lumens</th> <th>% Fixture</th> </tr> </thead> <tbody> <tr><td>0-30</td><td>879</td><td>39.5</td></tr> <tr><td>0-40</td><td>1315</td><td>59.1</td></tr> <tr><td>0-60</td><td>2019</td><td>90.7</td></tr> <tr><td>0-90</td><td>2226</td><td>100</td></tr> <tr><td>90-180</td><td>0</td><td>0</td></tr> <tr><td>0-180</td><td>2226</td><td>100</td></tr> </tbody> </table>	Zone	Lumens	% Fixture	0-30	879	39.5	0-40	1315	59.1	0-60	2019	90.7	0-90	2226	100	90-180	0	0	0-180	2226	100	<table border="1"> <thead> <tr> <th>Average Candela Degrees</th> <th>Average 0° Luminance</th> </tr> </thead> <tbody> <tr><td>37</td><td>45256</td></tr> <tr><td>45</td><td>40516</td></tr> <tr><td>55</td><td>32324</td></tr> <tr><td>65</td><td>21170</td></tr> <tr><td>75</td><td>8006</td></tr> <tr><td>85</td><td>0</td></tr> </tbody> </table>	Average Candela Degrees	Average 0° Luminance	37	45256	45	40516	55	32324	65	21170	75	8006	85	0
Degrees Vertical	Candela																																																																						
0	1405																																																																						
5	1383																																																																						
15	1175																																																																						
25	913																																																																						
35	695																																																																						
45	523																																																																						
55	338																																																																						
65	163																																																																						
75	38																																																																						
85	0																																																																						
90	0																																																																						
Zone	Lumens	% Fixture																																																																					
0-30	879	39.5																																																																					
0-40	1315	59.1																																																																					
0-60	2019	90.7																																																																					
0-90	2226	100																																																																					
90-180	0	0																																																																					
0-180	2226	100																																																																					
Average Candela Degrees	Average 0° Luminance																																																																						
37	45256																																																																						
45	40516																																																																						
55	32324																																																																						
65	21170																																																																						
75	8006																																																																						
85	0																																																																						
Housing	LE*S6C20D010	<table border="1"> <thead> <tr> <th>D</th> <th>FC</th> <th>L</th> <th>W</th> </tr> </thead> <tbody> <tr><td>4'</td><td>87.8</td><td>3.6</td><td>3.6</td></tr> <tr><td>7'</td><td>28.7</td><td>6.2</td><td>6.2</td></tr> <tr><td>9'</td><td>17.3</td><td>8</td><td>8</td></tr> <tr><td>13'</td><td>8.3</td><td>11.6</td><td>11.6</td></tr> <tr><td>16'</td><td>5.5</td><td>14.4</td><td>14.4</td></tr> </tbody> </table>		D	FC	L	W	4'	87.8	3.6	3.6	7'	28.7	6.2	6.2	9'	17.3	8	8	13'	8.3	11.6	11.6	16'	5.5	14.4	14.4																																												
D	FC	L	W																																																																				
4'	87.8	3.6	3.6																																																																				
7'	28.7	6.2	6.2																																																																				
9'	17.3	8	8																																																																				
13'	8.3	11.6	11.6																																																																				
16'	5.5	14.4	14.4																																																																				
Module	EU6C10259035	<table border="1"> <thead> <tr> <th>Degrees Vertical</th> <th>Candela</th> </tr> </thead> <tbody> <tr><td>0</td><td>1405</td></tr> <tr><td>5</td><td>1383</td></tr> <tr><td>15</td><td>1175</td></tr> <tr><td>25</td><td>913</td></tr> <tr><td>35</td><td>695</td></tr> <tr><td>45</td><td>523</td></tr> <tr><td>55</td><td>338</td></tr> <tr><td>65</td><td>163</td></tr> <tr><td>75</td><td>38</td></tr> <tr><td>85</td><td>0</td></tr> <tr><td>90</td><td>0</td></tr> </tbody> </table>		Degrees Vertical	Candela	0	1405	5	1383	15	1175	25	913	35	695	45	523	55	338	65	163	75	38	85	0	90	0																																												
Degrees Vertical	Candela																																																																						
0	1405																																																																						
5	1383																																																																						
15	1175																																																																						
25	913																																																																						
35	695																																																																						
45	523																																																																						
55	338																																																																						
65	163																																																																						
75	38																																																																						
85	0																																																																						
90	0																																																																						
Trim	6LBSLI	<table border="1"> <thead> <tr> <th>Zone</th> <th>Lumens</th> <th>% Fixture</th> </tr> </thead> <tbody> <tr><td>0-30</td><td>879</td><td>39.5</td></tr> <tr><td>0-40</td><td>1315</td><td>59.1</td></tr> <tr><td>0-60</td><td>2019</td><td>90.7</td></tr> <tr><td>0-90</td><td>2226</td><td>100</td></tr> <tr><td>90-180</td><td>0</td><td>0</td></tr> <tr><td>0-180</td><td>2226</td><td>100</td></tr> </tbody> </table>		Zone	Lumens	% Fixture	0-30	879	39.5	0-40	1315	59.1	0-60	2019	90.7	0-90	2226	100	90-180	0	0	0-180	2226	100																																															
Zone	Lumens	% Fixture																																																																					
0-30	879	39.5																																																																					
0-40	1315	59.1																																																																					
0-60	2019	90.7																																																																					
0-90	2226	100																																																																					
90-180	0	0																																																																					
0-180	2226	100																																																																					
Lumens	2226	<table border="1"> <thead> <tr> <th>Average Candela Degrees</th> <th>Average 0° Luminance</th> </tr> </thead> <tbody> <tr><td>37</td><td>45256</td></tr> <tr><td>45</td><td>40516</td></tr> <tr><td>55</td><td>32324</td></tr> <tr><td>65</td><td>21170</td></tr> <tr><td>75</td><td>8006</td></tr> <tr><td>85</td><td>0</td></tr> </tbody> </table>		Average Candela Degrees	Average 0° Luminance	37	45256	45	40516	55	32324	65	21170	75	8006	85	0																																																						
Average Candela Degrees	Average 0° Luminance																																																																						
37	45256																																																																						
45	40516																																																																						
55	32324																																																																						
65	21170																																																																						
75	8006																																																																						
85	0																																																																						
Efficacy	102.1 Lm/W																																																																						
SC	0.91																																																																						

Photometric Multipliers (Nominal Lumen Values)

250 Lumen	500 Lumen	800 Lumen	1000 Lumen	1500 Lumen	2000 Lumen	2500 Lumen	3000 Lumen	3500 Lumen	4000 Lumen
0.22	0.42	0.57	0.65	1.00	1.29	1.62	1.90	1.74	2.02

Multipliers for relative lumen values with other series models.

CCT Multipliers – 90CRI

2400K	2700K	3000K	3500K	4000K	5000K
0.912	0.949	0.986	1	1.001	1.022

Multipliers for relative lumen values with other series color temperatures.

CCT Multipliers – 97CRI

2700K	3000K	3500K	4000K	5000K
0.889	0.955	1	1.016	1.07

Multipliers for relative lumen values with other series color temperatures.

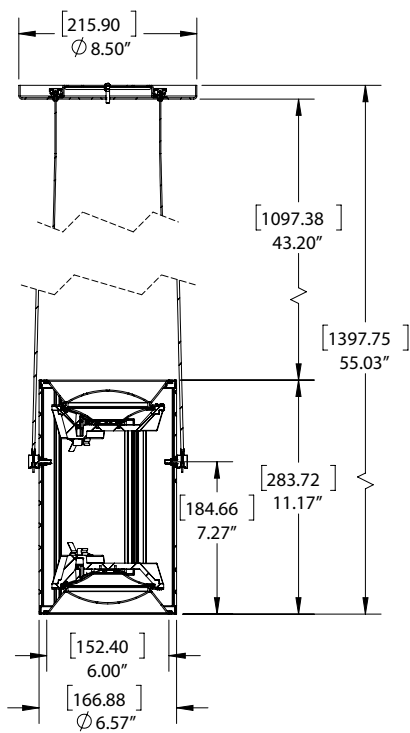
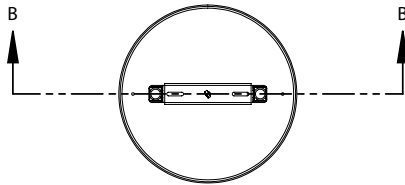
Color Finish Multipliers

Finish code	LI	H	WMH	WH	GPH	B	MW
Finish	Specular Clear	Semi-Specular Clear	Warm Haze	Wheat	Graphite Haze	Specular Black	Matte White
Multiplier	1.22	1	1.07	1.07	0.76	0.59	1.09

Multipliers for relative lumen values with other color finishes.

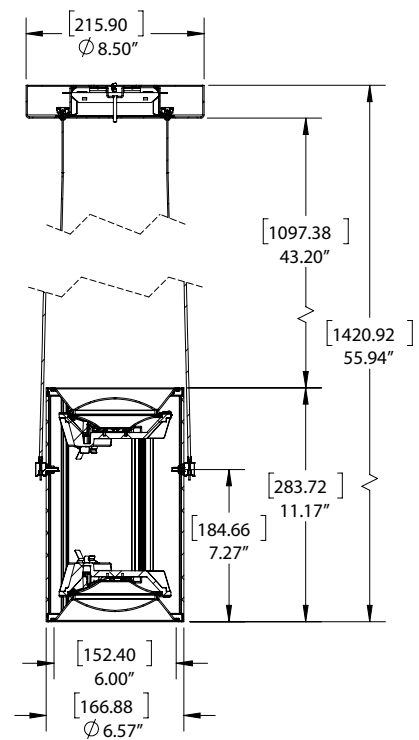
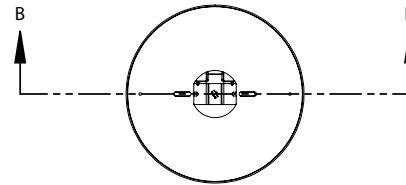
Dimensional and Mounting Details

**6IN ROUND CYLINDER
STANDARD POWER CORD UP DOWN PENDANT**



SECTION B-B

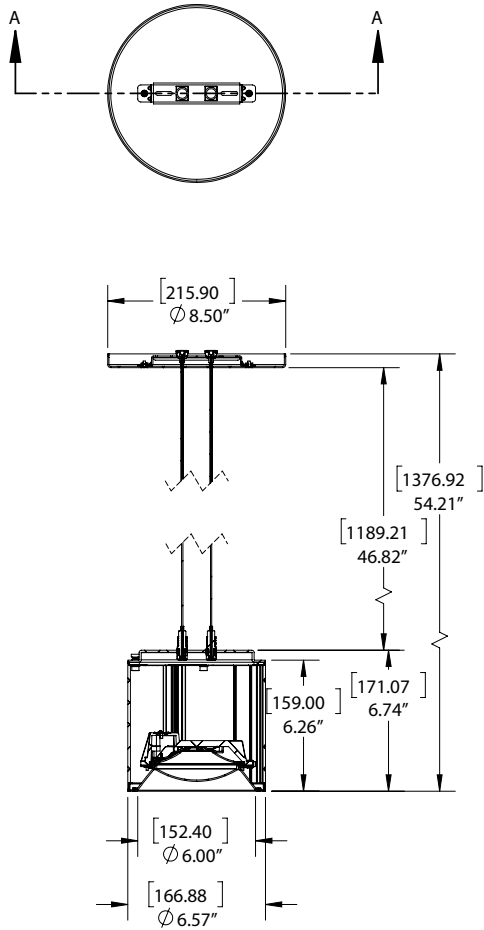
**6IN ROUND CYLINDER
STANDARD POWER CORD UP DOWN PENDANT DRIVER**



SECTION B-B

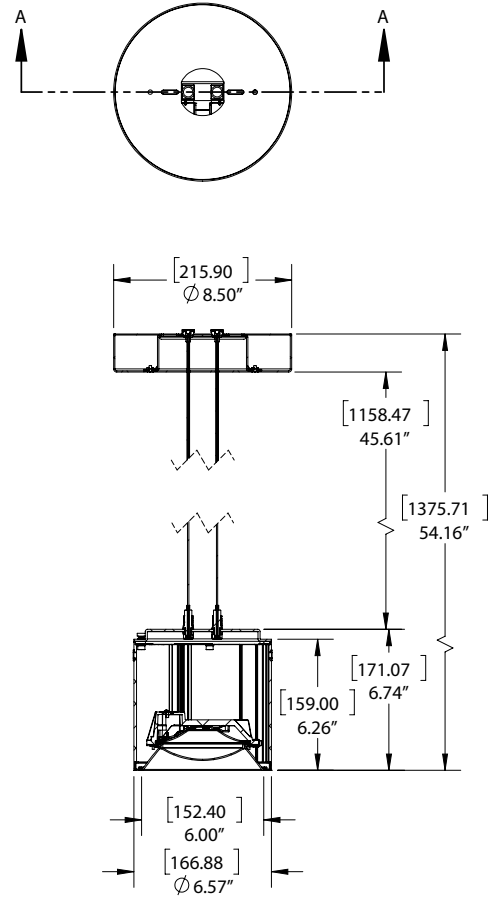
Dimensional and Mounting Details

**6IN ROUND CYLINDER
POWER CORD PENDANT**



SECTION A-A

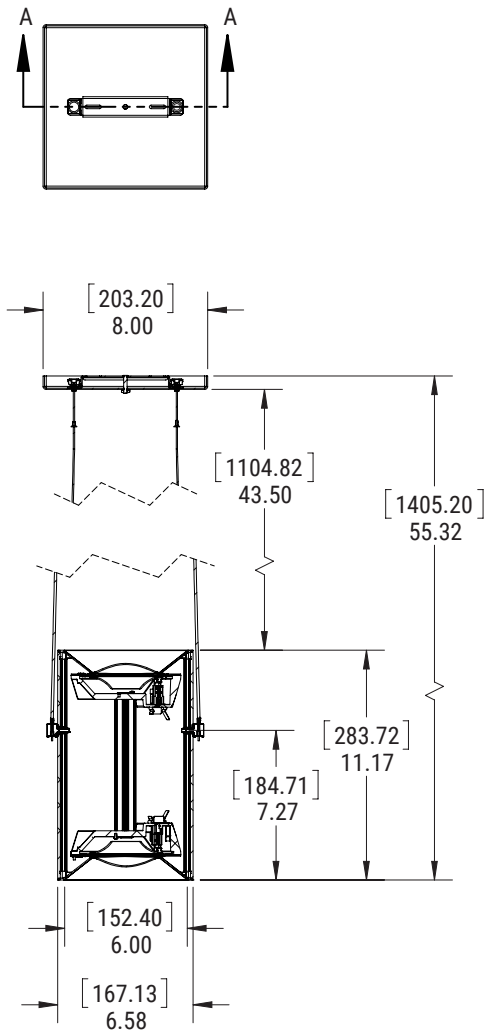
**6IN ROUND CYLINDER
POWER CORD PENDANT DRIVER**



SECTION A-A

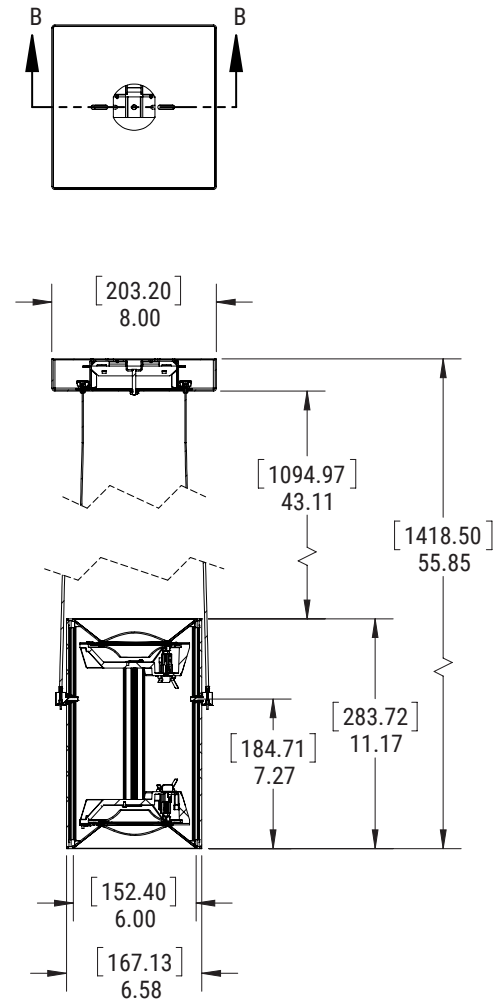
Dimensional and Mounting Details

**6IN SQUARE CYLINDER
STANDARD POWER CORD UP DOWN PENDANT**



SECTION A-A
SCALE 1 : 7

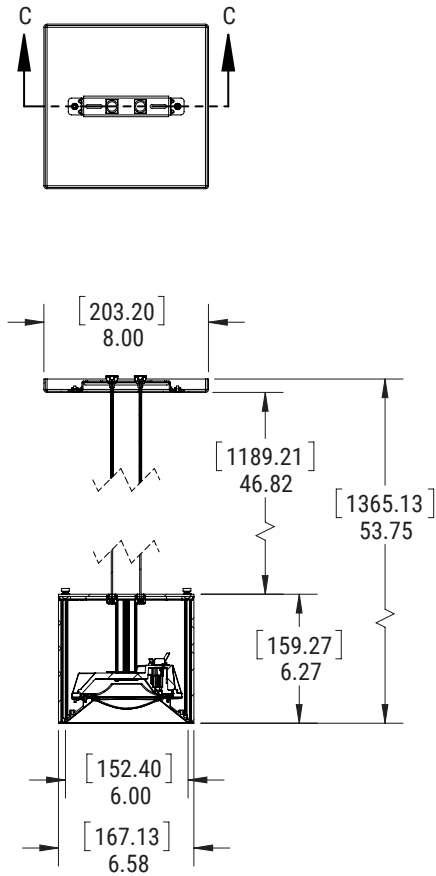
**6IN SQUARE CYLINDER
STANDARD POWER CORD UP DOWN PENDANT DRIVER**



SECTION B-B
SCALE 1 : 7

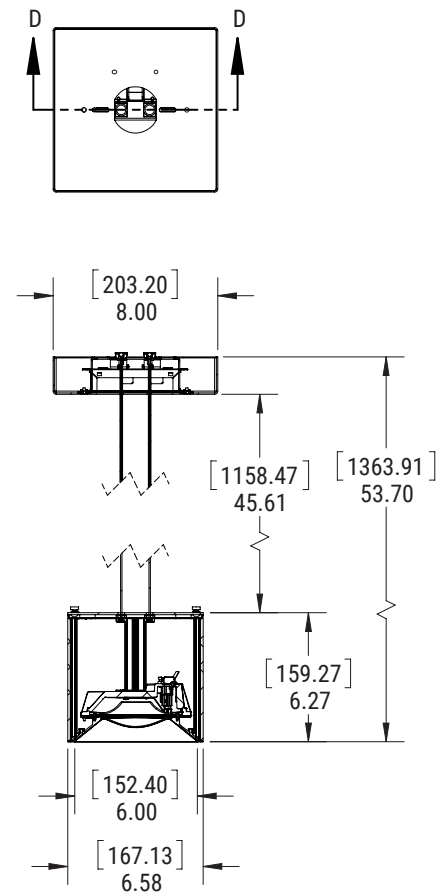
Dimensional and Mounting Details

**6IN SQUARE CYLINDER
POWER CORD PENDANT**



SECTION C-C
SCALE 1 : 7

**6IN SQUARE CYLINDER
POWER CORD PENDANT DRIVER**

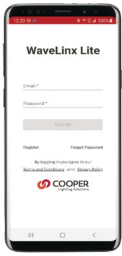


SECTION D-D
SCALE 1 : 7

Connected Systems

WaveLinx LITE - WLST Tilemount Sensor

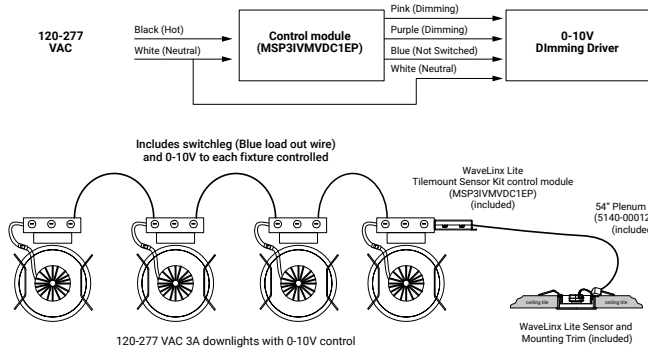
WaveLinx LITE devices only compatible with the WaveLinx LITE system.



- Intuitive Android™ or Apple® iOS® app for basic system code compliant set up and configuration via Bluetooth
- Up to 28 unique areas per project site (WaveLinx LITE Bluetooth network)
- Up to 50 devices for an area, any one of 16 control zones, up to 6 occupancy sets, and custom lighting scenes
- Automatic occupancy or vacancy, sensor sensitivity, daylight dimming, etc. configurable through the app
- Refer to the WaveLinx system specifications for details



WaveLinx LITE WLST Tilemount Wiring Diagram



WaveLinx LITE Bluetooth Enabled System



WaveLinx PRO Wireless – WPST Tilemount Sensor

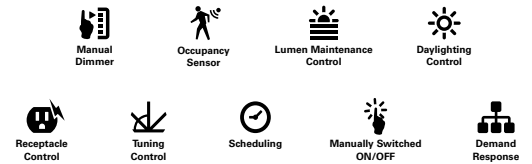
WaveLinx PRO devices only compatible with the WaveLinx PRO system.



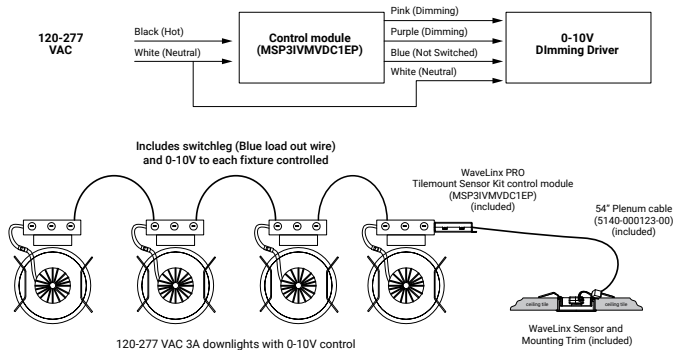
- WaveLinx PRO Wireless functionality configures zones and customizes settings from one secure mobile app
- Automatic code commissioning that meets the strictest codes
- Fixtures and sensors integrate with Wireless Area Controller, Wall Stations, and Control Devices
- Stand-Along Offices or Entire Building Network Installations



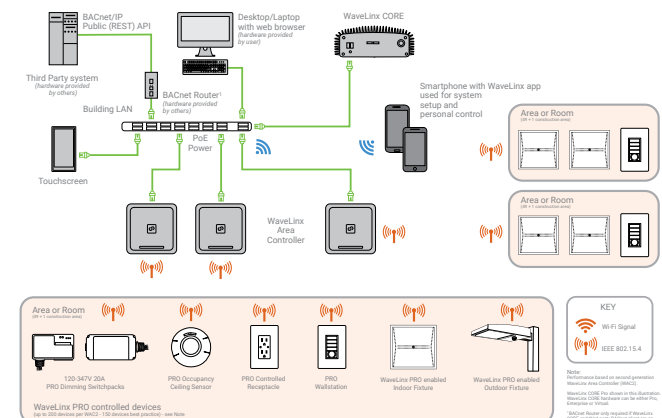
WaveLinx mobile app settings



WaveLinx PRO WPST Tilemount Wiring Diagram



WaveLinx CORE Building Management Integration



Connected Solutions



WaveLinx LITE Wireless Node - WLN

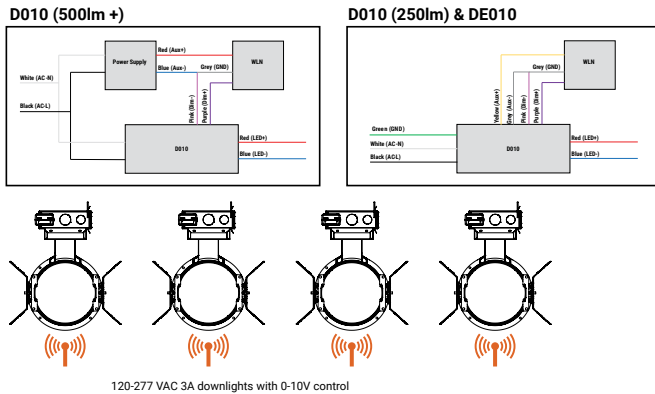
WaveLinx LITE devices only compatible with the WaveLinx LITE system.

- Intuitive Android™ or Apple® iOS® app for basic system code compliant set up and configuration via Bluetooth
- Up to 28 unique areas per project site (WaveLinx LITE Bluetooth network)
- Up to 50 devices for an area, any one of 16 control zones, up to 6 occupancy sets, and custom lighting scenes
- Refer to the WaveLinx system specifications for details
- Not available with BioUp or Tunable White

WaveLinx mobile app settings



WaveLinx LITE Wireless Node (WLN) Wiring Diagram



WaveLinx LITE Bluetooth Enabled System

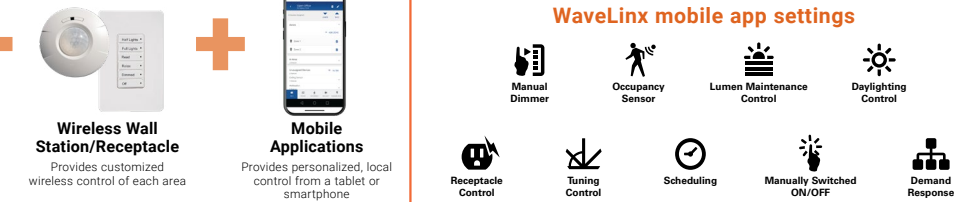


WaveLinx PRO Wireless Node - WPN

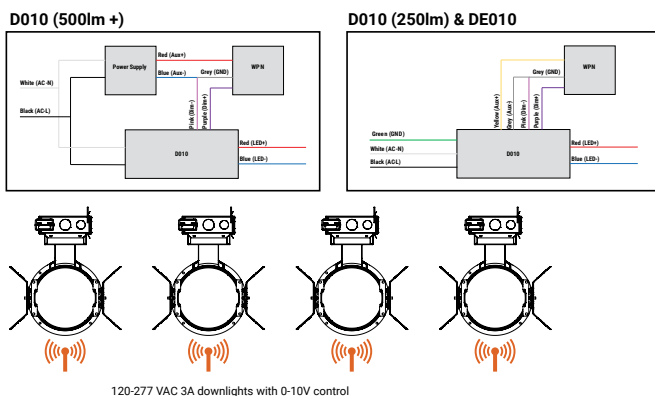
WaveLinx PRO devices only compatible with the WaveLinx PRO system.

- WaveLinx Wireless functionality configures zones and customizes settings from one secure mobile app
- Automatic code commissioning that meets the strictest codes
- Fixtures and sensors integrate with WaveLinx Area Controller, Wall Stations, and Control Devices
- Stand-Alone Offices or Entire Building Network Installations

WaveLinx mobile app settings



WaveLinx PRO Wireless Node (WPN) Wiring Diagram



WaveLinx CORE Building Management Integration

