

Project		Catalog #		Type	
Prepared by		Notes		Date	



Portfolio

LERS4D/LESQS4D Cylinders

4" Shallow Round and Square Cylinder Surface, Ceiling, Wall, Up/Down, Yoke, Stem and Air Craft Cable Mount with high center beam optics
250-1500 Lumens with remote driver

Typical Applications

Office • Education • Healthcare • Hospitality • Retail • Residential

Interactive Menu

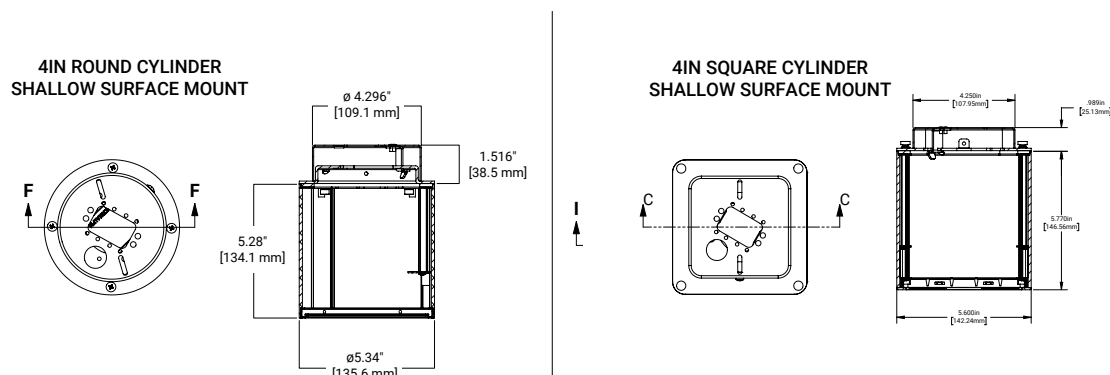
- Order Information [page 2](#)
- Product Specifications [page 4](#)
- Energy Data [page 5](#)
- Photometric Data [page 6](#)
- Connected Systems [page 12](#)
- Product Warranty



Top Product Features

- 250 to 1500 lumens; Offered in 90 and 97 CRI; Downlight
- Optics in 6°, 8°, and 5° increments from 10°-70°; Optional media holder accepts two lens media
- Extruded aluminum housing; Matte Black, White, Bronze and Silver paint finishes, custom finishes available
- 6 color temperatures: 2400K, 2700K, 3000K, 3500K, 4000K and 5000K CCT
- Options to meet Trade Agreements Act requirements

Dimensional and Mounting Details



Order Information

SAMPLE ORDER NUMBER: **LERS4D10D010RP**

Domestic Preferences ⁽³⁰⁾	Cylinder	Lumens	Driver	Remote ⁽⁸⁾	Finish ⁽¹⁰⁾
<p>[Blank]=Standard BAA=Buy American Act TAA= Trade Agreements Act</p>	<p>Ceiling surface mount (conduit canopy available as accessory) LERS4D=4-inch shallow round surface ceiling mount LESQS4D= 4-inch shallow square surface ceiling mount square aperture ⁽¹⁾ LESQRS4D= 4-inch shallow square surface ceiling mount round aperture ⁽²⁾</p> <p>Ceiling surface conduit canopy Square LESQSMS4D=4-inch shallow square surface ceiling mount square aperture with surface mount conduit canopy ⁽¹⁾ LESQRSMS4D=4-inch shallow square surface ceiling mount, round aperture with surface mount conduit canopy ⁽²⁾</p> <p>Wall mount Downlight LERWMS4D= 4-inch shallow round wall mount LESQWMS4D= 4-inch shallow square wall mount square aperture ⁽¹⁾ LESQRWMS4D= 4-inch shallow square wall mount round aperture ⁽²⁾</p> <p>Wall mount Up/down ⁽²⁵⁾ LERUDS4D= 4-inch shallow round wall mount up/down ⁽⁴⁾ LESQUDS4D= 4-inch shallow square wall mount up/down square aperture ⁽³⁾ LESQRUDS4D= 4-inch shallow square wall mount up/down round aperture ⁽⁴⁾</p> <p>Yoke mount LERYMS4D=4-inch shallow round yoke mount ⁽²⁴⁾ LESQYMS4D=4-inch shallow square yoke mount square aperture ^{(1) (24)} LESQRYS4D=4-inch shallow square yoke mount round aperture ^{(2) (24)}</p>	<p>02=250 lumens 02B=250 lumens for use with 6° optic ⁽⁵⁾ 05=500 lumens 08=800 lumens 10=1000 lumens 15=1500 lumens</p>	<p>D010=0-10V Dimming, 1% to 100%, 120V-277V, 500-1500 Lumens 3D010=0-10V Dimming, 1% to 100%, 347V, 800-1500 Lumens D010TR=0-10V (120-277V) or line voltage (120V) dimming, 1% to 100% DE010=0-10V Linear Dimming, 0.1% to 100%, 120V-277V, 250 lumen (02B only), 500-1500 lumens D5LT=Fifth Light® DALI DT6 Logarithmic Dimming, 0.1% to 100%, 120V-277V, 250 lumen (02B only), 500-1500 lumens DMX=DMX/RDM Logarithmic Dimming, 0.1% to 100%, 120V-277V, 800-1500 lumens ⁽⁶⁾ DMXC5=DMX/RDM Logarithmic Dimming, 0.1% to 100%, 120V-277V, with RJ45 connection, 800-1500 lumens ⁽⁶⁾ DLE=Lutron Ecosystem dimming 1% to 100%, 120-277V; 800-1500 lumens DLV=Low Voltage System, 800-1500 lumens</p>	<p>R=Remote driver required (order separately) ⁽⁹⁾</p>	<p>P=White MB=Matte Black SL=Silver BZ=Bronze</p>

SAMPLE ORDER NUMBER: **EC4DR3002089035**

Domestic Preferences ⁽³⁰⁾	Power Module	Optics	Lumen Levels ⁽³⁵⁾	Color	Media
<p>[Blank]=Standard BAA=Buy American Act TAA= Trade Agreements Act</p>	<p>EC4D=4-inch cylinder light engine</p>	<p>X=No optic order separately ⁽³⁶⁾</p> <p>R06=6° limited to 250 lumens R08=8° limited to 1000 lumens R10=10° limited to 1000 lumens R15=15° limited to 1000 lumens R20=20° limited to 1000 lumens R25=25° R30=30° R35=35° R40=40° R45=45° R50=50° R55=55° R60=60° R65=65° R70=70°</p>	<p>For use with 6° Optic 02=250 Lumens</p> <p>For use with 8°, 10°, 15° and 20° Optic 0210=250, 500, 800, 1000 Lumens</p> <p>For use with 25° to 70° Optic 0215=250, 500, 800, 1000, 1500 Lumens</p>	<p>90 CRI 9024= 90CRI, 2400K 9027= 90CRI, 2700K 9030= 90CRI, 3000K 9035= 90CRI, 3500K 9040= 90CRI, 4000K 9050= 90CRI, 5000K</p> <p>97 CRI 9727= 97CRI, 2700K 9730= 97CRI, 3000K</p>	<p>Blank=Engine accepts optic only (preferred if media will not be used) 2M=Engine accepts up to 2 lenses or media (optic is recessed in engine)</p>

SAMPLE ORDER NUMBER: **4LBSS3H**

Domestic Preferences ⁽³⁰⁾	Trim	Reflector	Finish
<p>[Blank]=Standard BAA=Buy American Act</p>	<p>4LB=4" Reflector</p>	<p>SS3=Round shallow spun aluminum SCS3=Round shallow die cast SCSSQ3=Square shallow die cast (for use with LESQDS, LESQS)</p>	<p>L=Specular Clear ⁽¹⁵⁾ H=Semi-Specular Clear ⁽¹⁵⁾ WMH=Warm Haze ⁽¹⁵⁾ WH=Wheat ⁽¹⁵⁾ GPH=Graphite Haze ⁽¹⁵⁾</p> <p>B=Specular Black ⁽¹⁵⁾ MW=Matte White MB=Matte Black ⁽¹⁶⁾ MMS=Matte Metallic Silver ⁽¹⁶⁾</p>

Order Information

REQUIRED Remote Driver (R)

Remote Drivers ⁽⁸⁾	Lumens	Voltage	Driver	Options ⁽⁹⁾⁽³⁹⁾	Controls
RD100 =Remote 100 ft RD75 = Remote 75 ft RD50 = Remote 50 ft RD25 = Remote 25 ft RD15 = Remote 15 ft RD5 = Remote 5 ft RD2 = Remote 2 ft	02 =250 lumens 02B =250 lumens for use with 6° optic ⁽⁵⁾ 05 =500 lumens 08 =800 lumens 10 =1000 lumens 15 =1500 lumens	blank =120-277V 3 =347V ⁽³⁴⁾	D010 =0-10V Dimming, 1% to 100%, 120V-277V, 500-1500 lumens 3D010 =0-10V Dimming, 1% to 100%, 347V, 500-1500 lumens D010TR =0-10V (120-277V) or line voltage (120V) dimming, 1% to 100% 250-1500 lumens 3D010TR = 0-10V Dimming, 1% to 100%, 347V step down transformer, 250 to 1500 lumens DE010 =0-10V Linear Dimming, 0.1% to 100%, 120V-277V, 250 lumen (02B only), 800-1500 lumens 3DE010 =0-10V Dimming, 0.1% to 100%, 0-10V Dimming, 347V step down transformer, 800 to 1500 lumens D5LT =Fifth Light® DALI DT6 Logarithmic Dimming, 0.1% to 100%, 120V-277V, 250 lumen (02B only), 800-1500 lumens, 3D5LT =Fifth Light® DALI DT6 Logarithmic Dimming, 0.1% to 100% 347V step down transformer, 800 to 1500 lumens DMX =DMX/RDM Logarithmic Dimming, 0.1% to 100%, 120V-277V, 1000-1500 lumens ⁽⁶⁾ 3DMX =DMX/RDM Logarithmic Dimming, 0.1% to 100%, 347V step down transformer, 1000-1500 lumens ⁽⁶⁾ DMXC5 =DMX/RDM Logarithmic Dimming, 0.1% to 100%, 120V-277V, with RJ45 connection, 1000-1500 ⁽⁶⁾ 3DMXC5 =DMX/RDM Logarithmic Dimming, 0.1% to 100%, 347V step down transformer, 1000-1500 lumens, RJ45 Connection ⁽⁶⁾ DLE =Lutron Ecosystem dimming 1% to 100%, 120-277V; 1000 to 1500 lumens ⁽¹¹⁾ 3DLE =Lutron Ecosystem dimming 1% to 100%, 347V step down transformer, 1000-1500 lumens ⁽¹¹⁾ DLV =Low Voltage System, 1000 to 1500 lumens	EMBOD =Bodine® Emergency Module with Remote Test Switch EMBOD6ST =Bodine® 6W Self Test Emergency Module with Remote Test Switch EM7 =7W Emergency Module with Remote Test Switch EM14 =14W Emergency Module with Remote Test Switch EMBOD7ST =Bodine® Self Test Emergency Module EMV7 =7W Low Voltage Emergency Module with Remote Test Switch ⁽²¹⁾ EMV14 =14W Low Voltage Emergency Module with Remote Test Switch ⁽²¹⁾ ETRD =Emergency transfer device ⁽³²⁾	WPST =Factory installed WaveLinx (includes control module, sensor, cable, tile mount and ceiling mount sensor) ^{(13) (26)} WLST =Factory installed WaveLinx Lite Sensor Kit ⁽¹³⁾⁽²⁷⁾ WPN = WaveLinx PRO Wireless Node without sensor ⁽¹³⁾ WLN = WaveLinx LITE Wireless Node without sensor ^{(14) (40)}

Domestic Preferences ⁽³⁰⁾	Accessories	Type	Lengths
[Blank] =Standard TAA = Trade Agreements Act BAA =Buy American Act	Pendant Kit ^{(17) (28)} P436P =White pendant stem kit for suspended mount cylinder P436BZ =Bronze pendant stem kit for suspended mount cylinder P436MB =Matte black pendant stem kit for suspended mount cylinder P436SL =Silver pendant stem kit for suspended mount cylinder Aircraft Cable ⁽²⁹⁾ AC4120P =120" white aircraft cable kit AC448P =48" white aircraft cable kit AC4120MB =120" black aircraft cable kit AC448MB =48" black aircraft cable kit	RM = for Remote drivers	Blank =36" SP* =* Specify 6" to 144" in 1" increments
[Blank] =Standard TAA = Trade Agreements Act	LNE4RUD =up/down gasketed lens, wet location, round LNS4SQUD = up/down gasketed lens, wet location square Connected Lighting Systems ⁽¹³⁾ WPST =Field installed WaveLinx sensor Kit ⁽²⁶⁾ WLST =Field installed WaveLinx Lite Sensor Kit ⁽²⁷⁾	Optics 46R25 =25° 46R30 = 30° 46R35 = 35° 46R40 = 40° 46R45 = 45° 46R50 = 50° 46R55 = 55° 46R60 = 60° 46R65 = 65° 46R70 = 70° Color Filters ⁽⁴¹⁾ F22-20 =Red F33-20 =Blue F44-20 =Green F55-20 =Yellow F66-20 =Mercury Dichronic Filters ⁽⁴¹⁾ F71-20 =Peach F72-20 =Amber F73-20 =Green F74-20 =Medium Blue F75-20 =Yellow F76-20 =Red F77-20 =Dark Blue F78-20 =Light Blue F79-20 =Neutral Density F80-20 =Magenta	Beam-Modifying Lenses ⁽⁴¹⁾ LSL-20 =Linear Spread Lens OSL-20 =Overall Spread Lens DIF-20 =Diffused Lens Asymmetric Film ⁽⁴¹⁾ 46ASYMFILM =Asymmetric Film (see chart for distribution) Louvers ⁽⁴¹⁾ LVR-20 =Hex Cell Louver

Notes

- Square reflector
- Round reflector
- Square reflector, requires two reflectors and light engines
- Round reflector, requires two reflectors and light engines
- For use with DE010 and D5LT drivers
- DMX fixtures default to full on upon loss of DMX signal
- Up down surface mount require 2 driver assemblies
- Order remote driver separately. See below to order.
- Consult factory for custom finishes.
- Only available up to 25 ft.
- Not available with up/down
- Refer to system specifications for additional information, features, and benefits. Order either factory installed option or accessory. WPN and WLN are factory installed option only. For canopy mount drive only. For remote driver specify on remote driver.
- Refer to system specifications for additional information, features, and benefits. Use with 0-10V driver.

- Anodized or spun reflectors
- Die cast only
- 0-45° slope.
- Use with remote driver.
- Order with ceiling mount cylinder.
- ULUS listed only
- Ceiling mount only
- Lumen specified for up/down is the same for both directions. Ex. 800 lumens will be 800 lumens up & 800 lumens down.
- WPST=WaveLinx wireless sensor kit for daylight dimming, PIR motion sensing, and optional RLTS - Real Time Location Services, use with 0-10V only.
- WLSLT=WaveLinx Lite tile mount sensor kit for daylight dimming, PIR motion sensing, use with D010 only (Refer to WaveLinx Lite system specifications)
- To order product that is compliant with the Buy American Act of 1933 (BAA) or Trade Agreements Act (TAA), use the online specification configurator to specify BAA or TAA. Please refer to [DOMESTIC PREFERENCES](#) website for more information. Components shipped separately may be separately analyzed under domestic preference requirements. Accessories sold separately will be separately analyzed under domestic preference

- requirements. Consult factory for further information.
- 120V-277V
 - Used to bypass local control during outage. Must be used in conjunction with UL 1008 device (provided by others).
 - Non-IC
 - D010 800 to 1500 lumens. 250 and 500 lumens use step down transformer) All other drivers use step down transformer.
 - Nominal Lumens will vary depending on selected color, driver and reflector finish.
 - Offered with 25° and above distributions.
 - WPN = WaveLinx PRO wireless node provides luminaire-level control with scene and zone configuration without an integrated sensor; Connects wirelessly with daylight dimming sensor and PIR motion sensor if desired. Use with 0-10V driver only.
 - WLN = WaveLinx LITE wireless node provides luminaire-level control with scene and zone configuration without an integrated sensor; Connects wirelessly with daylight dimming sensor and PIR motion sensor if desired. Use with 0-10V driver only.
 - Requires 2M designation on light engine.

Product Specifications

Lower Reflector

- Painted die-cast aluminum or spun aluminum reflector provides superior lumen output with minimal source brightness
- Square surface mount available with square or round reflectors
- Spun reflectors are available in all Portfolio finishes

Optic

- Interchangeable silicone optic in 5° increments from 10°-70° providing smooth beam without color separation
- Available media holder fits onto optic holder and holds up to two lens media

Trim retention

- Two torsion springs hold flange tightly to the cylinder lip

Cylinder

- Round and soft square extruded aluminum
- Matte white, bronze, silver or matte black. Contact factory for custom finishes.
- Available in standard and shallow heights
- Yoke mount provides +/-45° lockable tilt

Mounting

- Mounting plate installs to mounted junction box
- Cylinder mounts to plate with easy twist and lock hooks for ceiling mount
- For wall mount, mounting arm attaches directly to junction box via a robust mounting plate
- Offered with optional stem and aircraft cable
- Conduit canopy allows for mounting pendant and surface cylinder on hard ceilings provided in painted finish to match the cylinder accommodates ½" or ¾" conduit.

Thermal

- Aluminum heat sink conducts heat away from the LED module for optical performance and longer life

LED System

- Auto resetting, thermally protected, LED's are turned off when safe operating temperatures are exceeded
- Quick disconnect allows for tool-less replacement of LED engine from below ceiling
- 90 and 97 CRI
- 90 & 97CRI: L78 55,000 hours for 1000-2000 lumens, L90 55,000 for all other lumen output
- Color variation within 2-step MacAdam ellipses
- Available in 2400K, 2700K, 3000K, 3500K, 4000K and 5000K correlated color temperature (CCT)

Vividtune and BioUp (Available Option)

- W2N: L70 55,000 hours
- D2W™ – dim-to-warm shifts CCT from 3000K to 1850K as fixture dims mimicking halogen sources.
- W2N - Tunable white CCT range 2700K to 6500K or 2000K to 5000K, 90 CRI. Standard
- See dedicated specification sheet for more details.

Driver

- Standard 120-277V 0-10V dimming driver provides flicker-free dimming from 100% to 1%
- Optional 120V leading edge, <1% 0-10V, Fifth Light, DMX or Lutron®
- Remote driver up to 100' based on driver selection
- Distributed low voltage power system combines power, lighting, and controls with ease of installation.

Emergency Option

- Provides 90 minutes of standby lighting, meeting most life safety codes for egress lighting
- Available Self-Test (self-diagnostic) with remote charge indicator and test switch
- Emergency Transfer Relay Device bypasses local control during a power outage
- UL 924 listed

Connected Lighting System

Two WaveLinX connected solutions to choose from. Refer to WaveLinX system specifications and application guides for details.

[WaveLinX PRO Tilemount Sensor Kit](#)

- WaveLinX PRO WPST tilemount sensor kit offers daylight dimming, PIR motion sensing, scene and zone configuration, automatic commissioning; and optional RLTS - Real Time Location Services available.

[WaveLinX PRO Wireless Node](#)

- WaveLinX PRO WPN wireless node provides luminaire-level control with scene and zone configuration without an integrated sensor; Connects wirelessly with daylight dimming sensor and PIR motion sensor if desired. Use with 0-10V driver only. **Note:** Not compatible with 347V or Chicago plenum.

[WaveLinX LITE Tilemount Sensor Kit](#)

- WaveLinX LITE WLST tilemount sensor kit offers daylight dimming and PIR motion sensing, scene and grouping configuration.

[WaveLinX LITE Wireless Node](#)

- WaveLinX LITE WLN wireless node provides luminaire level control with scene and zone configuration without an integrated sensor; Connects wirelessly with daylight dimming sensor and PIR motion sensor if desired. Use with 0-10V driver only. **Note:** Not compatible with 347V or Chicago plenum.

[WaveLinX Tilemount Sensor Kits Application](#)

- The WPST and WLST tilemount sensor kits include a control module mounted on the luminaire junction box via 1/2" knock-out, and a tilemount sensor on 54-inch whip; for ceiling installation by direct-mount spring clips or via mounting bracket in octagon ceiling boxes.
- The WPST and WLST tilemount sensor kits may be ordered as factory installed on the luminaire, or ordered separately as a field installed accessory kit.
- **Note: WaveLinX PRO devices are only compatible with the WaveLinX PRO system.**
- **Note: WaveLinX LITE devices are only compatible with the WaveLinX LITE system.**

Compliance

- Pendant mount cULus Listed for damp locations
- Ceiling mount cULus Listed for wet locations and IP66 compliant in covered ceiling
- Wall mount cULus Listed for wet locations, requires lens accessory
- EMI/RFI emissions per FCC 47CFR Part 18 Class B consumer limits
- RoHS compliant
- Photometric testing completed in accordance with IES LM-79
- LED life testing completed in accordance with IES LM-80 standards

Warranty

- Five year warranty www.cooperlighting.com/legal

Energy and Performance Data

D010 DRIVER ENERGY DATA

Series	250 Lumen		500 Lumen		750 Lumen		1000 Lumen		1500 Lumen	
Input Voltage 120-277 VAC	120	277	120	277	120	277	120	277	120	277
Input Current (A)	0.029	0.017	0.054	0.027	0.065	0.031	0.09	0.045	0.129	0.057
Input Power (W)	3.4	3.9	6.5	6.9	7.7	8.1	10.7	11.1	15.5	15.4
In-rush (A)	2.1	9.15	2.1	9	2.1	9	2.1	9.1	2.1	9.3
Inrush duration	250	127	254	128	249	142	255	153	255	236
THDi (%)	8.2	19.9	7.8	14	8.1	11.2	6.6	9.7	11.5	6.6
PF	0.99	0.83	0.99	0.91	0.99	0.93	1.0	0.97	0.99	0.98

Minimum starting temperature -30°C (-22°F)*
(Nominal input 120-277VAC & 100% of rated output power)

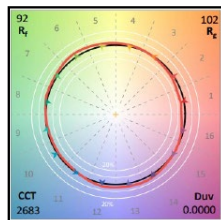
Sound Rating: Class A standards

Notes:

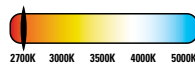
Emergency Battery packs are rated for a minimum starting temperature of 0°C.

COLOR METRICS - TM-30-15 & CRI/CIE

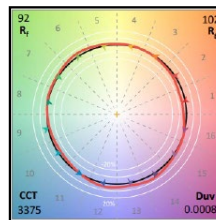
90 CRI Color Metric Summary - 2700K*



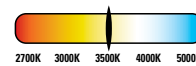
TM-30-15	Rf = 92.1
	Rg = 101.6
CRI/CIE	Ra = 93.8
	R9 = 59.7



90 CRI Color Metric Summary - 3500K*



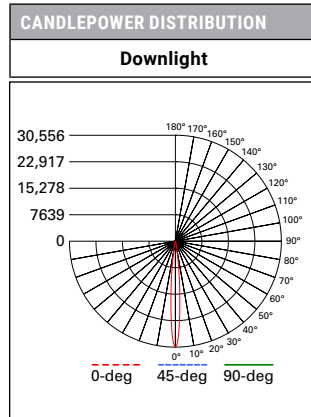
TM-30-15	Rf = 91.9
	Rg = 101.6
CRI/CIE	Ra = 93.0
	R9 = 62.8



* Color values are based on haze reflector, other finishes and field results may vary.

Photometric Data

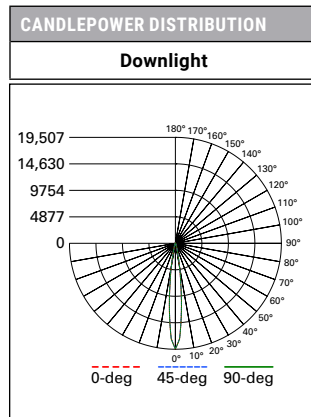
10° with 4LBS reflector	
Test Number	P735992
Housing	LE*4D15D010
Module	EC4DR1015209035
Lumens	1403
Efficacy	88.8 Lm/W
SC	0.17
UGR	10



CONE OF LIGHT			
D	FC	L	W
6'	848.8	0.8	0.8
8'	477.4	1.2	1.2
10'	305.6	1.6	1.6
12'	212.2	1.8	1.8
15'	135.8	2.4	2.4

CANDELA TABLE	
Degrees Vertical	0-deg
0	30556
5	14434
15	788
25	160
35	56
45	21
55	7
65	0
75	0
80	0

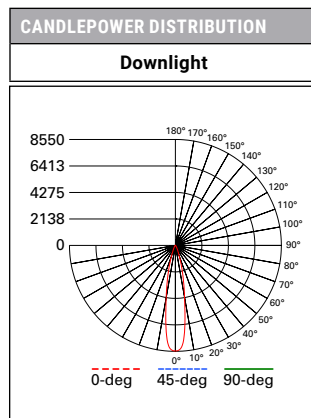
15° with 4LBS reflector	
Test Number	P735994
Housing	LE*4D15D010
Module	EC4DR1015209035
Lumens	1432
Efficacy	90.6 Lm/W
SC	0.22
UGR	10



CONE OF LIGHT			
D	FC	L	W
6'	541.9	1.2	1.2
8'	304.8	1.6	1.6
10'	195.1	2.2	2.2
12'	135.5	2.6	2.6
15'	86.7	3.2	3.2

CANDELA TABLE	
Degrees Vertical	0-deg
0	19507
5	12692
15	1102
25	130
35	26
45	12
55	8
65	5
75	2
80	2

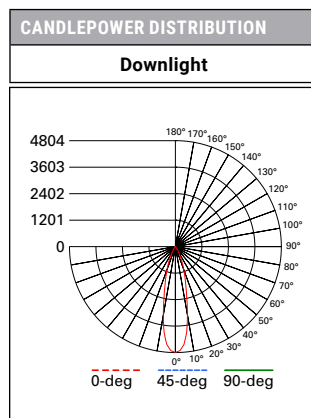
20° with 4LBS reflector	
Test Number	P735996
Housing	LE*4D15D010
Module	EC4DR1015209035
Lumens	1502
Efficacy	95.1 Lm/W
SC	0.34
UGR	10



CONE OF LIGHT			
D	FC	L	W
6'	237.5	2	2
8'	133.6	2.6	2.6
10'	85.5	3.4	3.4
12'	59.4	4	4
15'	38	5	5

CANDELA TABLE	
Degrees Vertical	0-deg
0	8550
5	7685
15	2126
25	390
35	100
45	27
55	7
65	2
75	0
80	0

25° with 4LBS reflector	
Test Number	P735998
Housing	LE*4D15D010
Module	EU4DR250215IC9035
Trim	4LBS1MW
Lumens	1267
Efficacy	80.2 Lm/W
SC	0.42
UGR	10

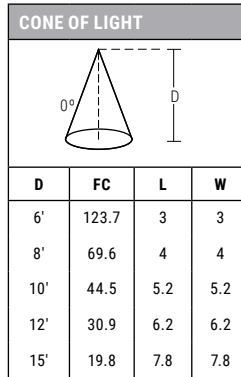
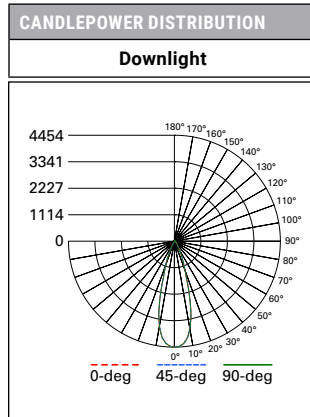


CONE OF LIGHT			
D	FC	L	W
6'	133.5	2.4	2.4
8'	75.1	3.2	3.2
10'	48	4.2	4.2
12'	33.4	5	5
15'	21.4	6.2	6.2

CANDELA TABLE	
Degrees Vertical	0-deg
0	4804
5	4458
15	1816
25	582
35	91
45	21
55	5
65	2
75	0
80	0

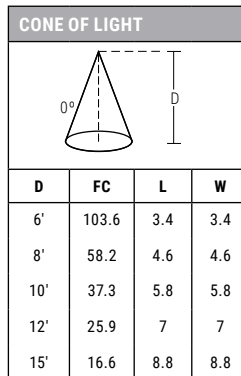
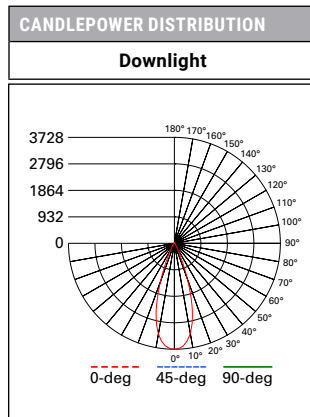
Photometric Data

30° with 4LBS reflector	
Test Number	P736000
Housing	LE*4D15D010
Module	EU4DR300215IC9035
Trim	4LBS1MW
Lumens	1385
Efficacy	87.7 Lm/W
SC	0.52
UGR	10



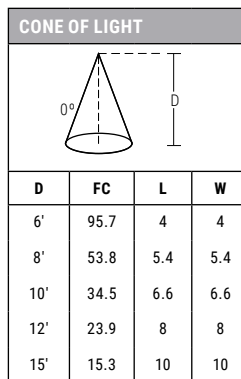
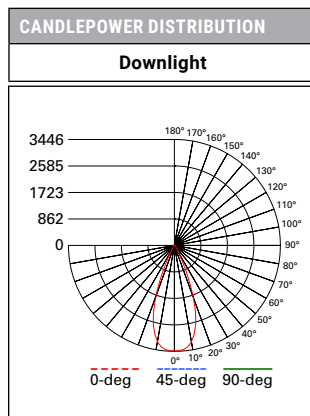
CANDELA TABLE	
Degrees Vertical	0-deg
0	4454
5	4310
15	2362
25	555
35	93
45	24
55	4
65	1
75	0
80	0

35° with 4LBS reflector	
Test Number	P736002
Housing	LE*4D15D010
Module	EU4DR350215IC9035
Trim	4LBS1MW
Lumens	1355
Efficacy	85.8 Lm/W
SC	0.6
UGR	10



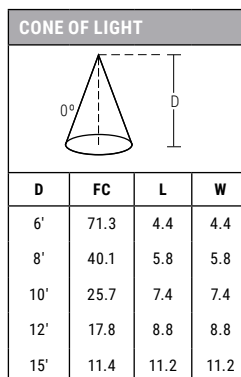
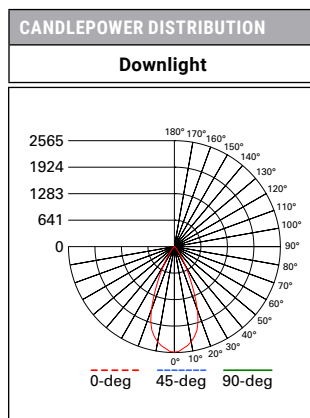
CANDELA TABLE	
Degrees Vertical	0-deg
0	3728
5	3627
15	2460
25	509
35	94
45	32
55	12
65	3
75	0
80	0

40° with 4LBS and 4LBDP reflector	
Test Number	P736004
Housing	LE*4D15D010
Module	EU4DR400215IC9035
Trim	4LBS1MW
Lumens	1480
Efficacy	93.7 Lm/W
SC	0.68
UGR	10



CANDELA TABLE	
Degrees Vertical	0-deg
0	3446
5	3416
15	2661
25	710
35	94
45	20
55	4
65	1
75	0
80	0

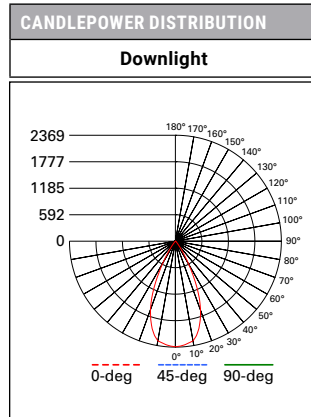
45° with 4LBS reflector	
Test Number	P736006
Housing	LE*4D15D010
Module	EU4DR450215IC9035
Trim	4LBS1MW
Lumens	1451
Efficacy	91.8 Lm/W
SC	0.75
UGR	10



CANDELA TABLE	
Degrees Vertical	0-deg
0	2565
5	2482
15	2108
25	980
35	219
45	35
55	7
65	1
75	0
80	0

Photometric Data

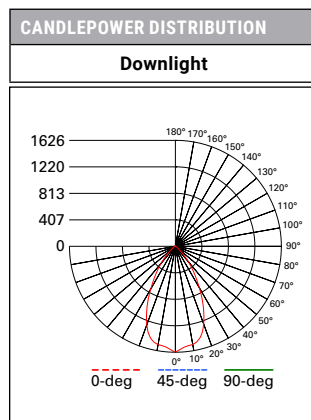
50° with 4LBS reflector	
Test Number	P736008
Housing	LE*4D15D010
Module	EU4DR500215IC9035
Trim	4LBS1MW
Lumens	1471
Efficacy	93.1 Lm/W
SC	0.8
UGR	10



CONE OF LIGHT			
D	FC	L	W
6'	65.8	4.6	4.6
8'	37	6.2	6.2
10'	23.7	7.8	7.8
12'	16.5	9.4	9.4
15'	10.5	11.8	11.8

CANDELA TABLE	
Degrees Vertical	0-deg
0	2369
5	2336
15	2028
25	1124
35	219
45	32
55	6
65	1
75	0
80	0

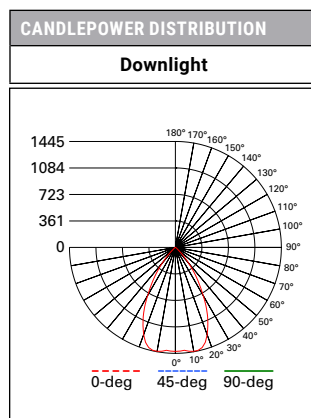
55° with 4LBS reflector	
Test Number	P736010
Housing	LE*4D15D010
Module	EU4DR550215IC9035
Trim	4LBS1MW
Lumens	1450
Efficacy	91.8 Lm/W
SC	0.89
UGR	13



CONE OF LIGHT			
D	FC	L	W
6'	45.2	5.2	5.2
8'	25.4	7	7
10'	16.3	8.8	8.8
12'	11.3	10.6	10.6
15'	7.2	13.2	13.2

CANDELA TABLE	
Degrees Vertical	0-deg
0	1626
5	1555
15	1459
25	1014
35	502
45	127
55	14
65	1
75	0
80	0

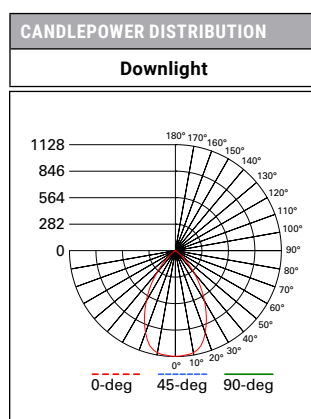
60° with 4LBS reflector	
Test Number	P736013
Housing	LE*4D15D010
Module	EU4DR600215IC9035
Trim	4LBS1MW
Lumens	1422
Efficacy	90 Lm/W
SC	0.98
UGR	13



CONE OF LIGHT			
D	FC	L	W
6'	39.5	5.8	5.8
8'	22.2	7.8	7.8
10'	14.2	9.8	9.8
12'	9.9	11.6	11.6
15'	6.3	14.6	14.6

CANDELA TABLE	
Degrees Vertical	0-deg
0	1423
5	1414
15	1418
25	1042
35	507
45	104
55	14
65	1
75	0
80	0

65° with 4LBS reflector	
Test Number	P736017
Housing	LE*4D15D010
Module	EU4DR650215IC9035
Trim	4LBS1MW
Lumens	1242
Efficacy	78.6 Lm/W
SC	0.95
UGR	14

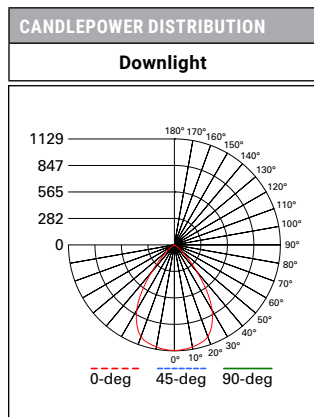


CONE OF LIGHT			
D	FC	L	W
6'	31.3	5.6	5.6
8'	17.6	7.6	7.6
10'	11.3	9.4	9.4
12'	7.8	11.4	11.4
15'	5	14.2	14.2

CANDELA TABLE	
Degrees Vertical	0-deg
0	1128
5	1121
15	1053
25	784
35	467
45	184
55	41
65	9
75	2
80	1

Photometric Data

70° with 4LBS reflector	
Test Number	P736021
Housing	LE*4D15D010
Module	EU4DR7002151C9035
Trim	4LBS1MW
Lumens	1430
Efficacy	90.5 Lm/W
SC	1.1
UGR	16



CONE OF LIGHT			
D	FC	L	W
6'	31.4	6.6	6.6
8'	17.6	8.8	8.8
10'	11.3	11	11
12'	7.8	13.2	13.2
15'	5	16.4	16.4

CANDELA TABLE	
Degrees Vertical	0-deg
0	1129
5	1122
15	1085
25	947
35	608
45	208
55	46
65	0
75	0
80	0

Photometric Multipliers (Nominal Lumen Values)

250 Lumen	500 Lumen	800 Lumen	1000 Lumen	1500 Lumen	2000 Lumen	2500 Lumen	3000 Lumen	3500 Lumen	4000 Lumen	4500 Lumen
0.26	0.47	0.56	0.74	1.00	1.37	1.77	1.99	1.31	1.54	1.68

5000 Lumen	5500 Lumen	6000 Lumen	6500 Lumen	7000 Lumen	7500 Lumen	8000 Lumen	8500 Lumen	9000 Lumen	9500 Lumen
1.98	2.23	2.46	2.72	2.77	2.93	3.11	3.31	3.51	3.60

Multipliers for relative lumen values with other series models.

CCT Multipliers – 90CRI

2400K	2700K	3000K	3500K	4000K	5000K
0.81	0.92	0.92	0.96	1	1.01

Multipliers for relative lumen values with other series color temperatures.

CCT Multipliers – 97CRI

2700K	3000K	3500K	4000K	5000K
0.88	0.95	1	1.016	1.07

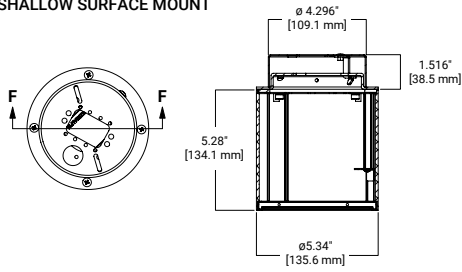
Multipliers for relative lumen values with other series color temperatures.

Asymmetric Film Distribution

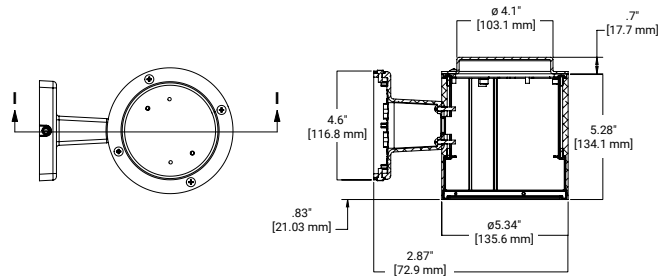
TIR	Short Axis Beam angle	Long Axis Beam angle
R10	12°	27.4°
R15	15°	28°
R20	21°	32°
R30	32°	37°
R35	32°	40°
R40	28°	37°
R45	41°	45°
R50	42°	46°

Dimensional and Mounting Details

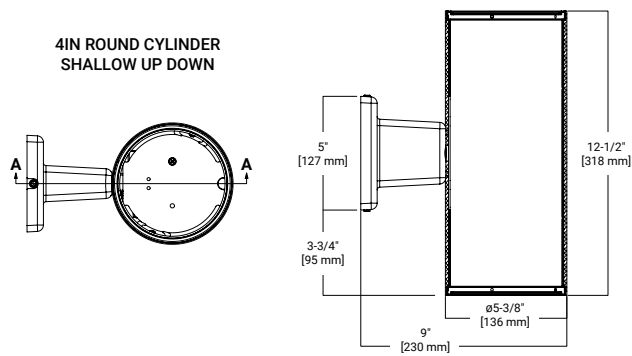
4IN ROUND CYLINDER
SHALLOW SURFACE MOUNT



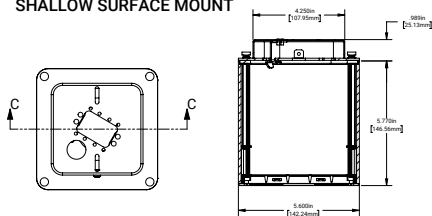
4IN ROUND CYLINDER
SHALLOW WALL MOUNT



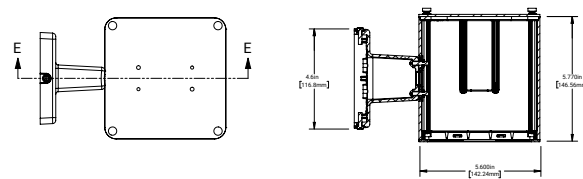
4IN ROUND CYLINDER
SHALLOW UP DOWN



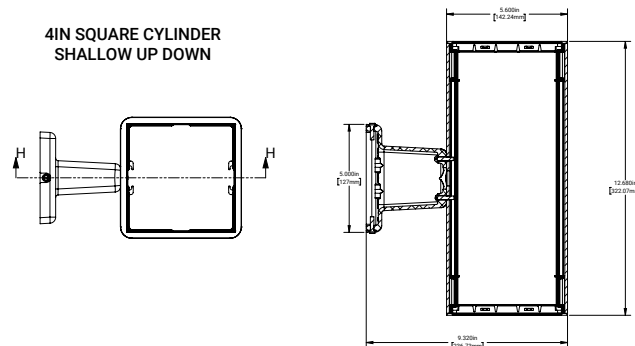
4IN SQUARE CYLINDER
SHALLOW SURFACE MOUNT



4IN SQUARE CYLINDER
SHALLOW WALL MOUNT

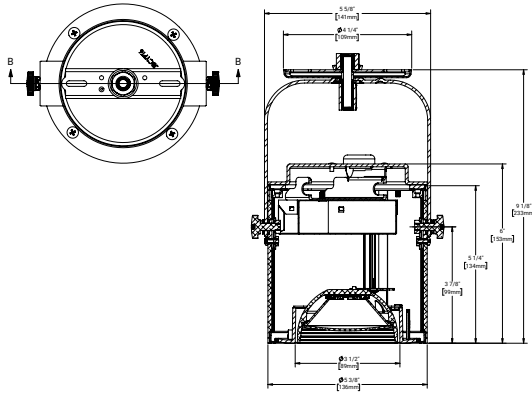


4IN SQUARE CYLINDER
SHALLOW UP DOWN

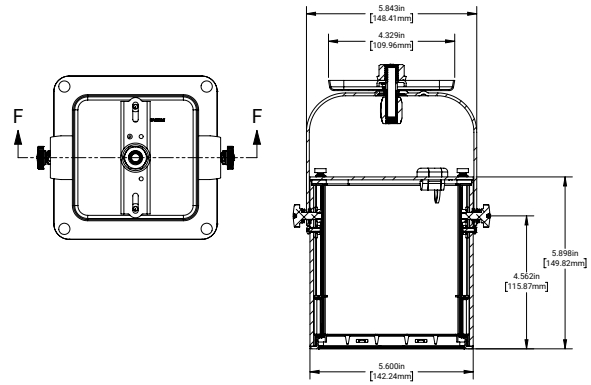


Dimensional and Mounting Details

**4IN ROUND CYLINDER
SHALLOW YOKE MOUNT**



**4IN SQUARE CYLINDER
SHALLOW YOKE MOUNT**



Connected Systems

WaveLinx LITE - WLST Tilemount Sensor

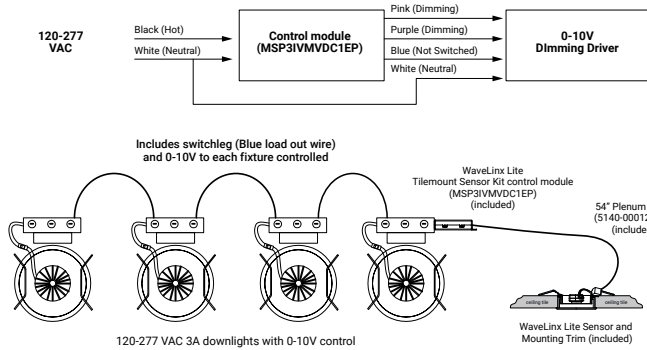
WaveLinx LITE devices only compatible with the WaveLinx LITE system.



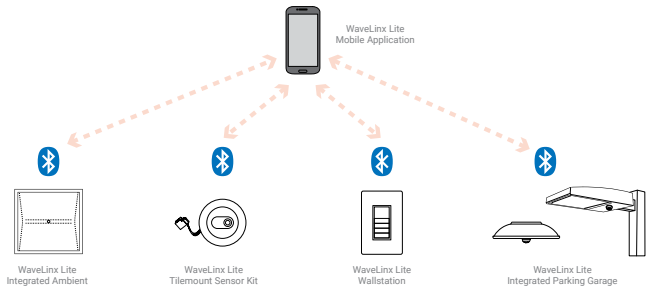
- Intuitive Android™ or Apple® iOS® app for basic system code compliant set up and configuration via Bluetooth
- Up to 28 unique areas per project site (WaveLinx LITE Bluetooth network)
- Up to 50 devices for an area, any one of 16 control zones, up to 6 occupancy sets, and custom lighting scenes
- Automatic occupancy or vacancy, sensor sensitivity, daylight dimming, etc. configurable through the app
- Refer to the WaveLinx system specifications for details



WaveLinx LITE WLST Tilemount Wiring Diagram



WaveLinx LITE Bluetooth Enabled System



WaveLinx PRO Wireless – WPST Tilemount Sensor

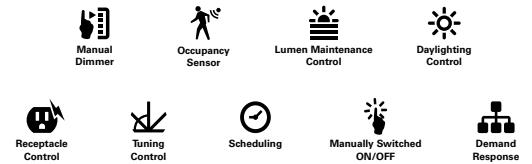
WaveLinx PRO devices only compatible with the WaveLinx PRO system.



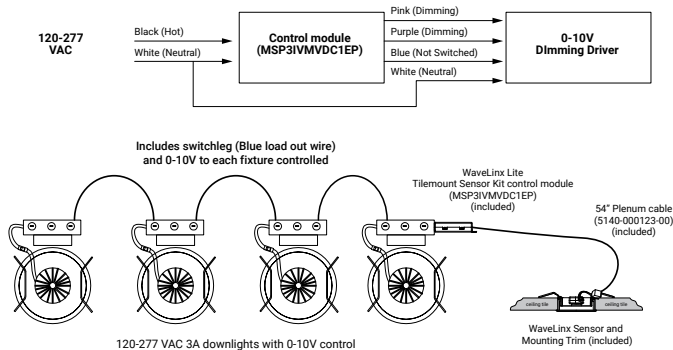
- WaveLinx PRO Wireless functionality configures zones and customizes settings from one secure mobile app
- Automatic code commissioning that meets the strictest codes
- Fixtures and sensors integrate with Wireless Area Controller, Wall Stations, and Control Devices
- Stand-Along Offices or Entire Building Network Installations



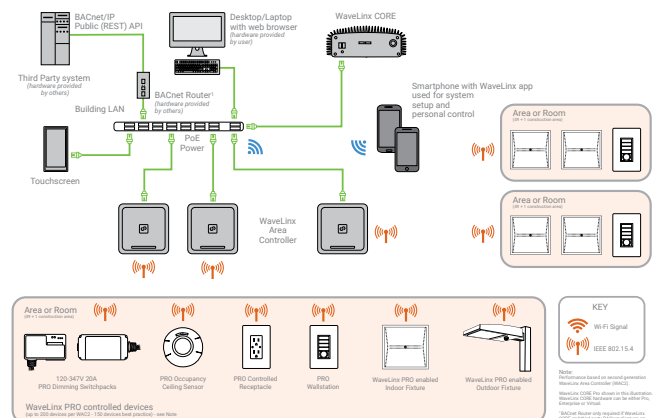
WaveLinx mobile app settings



WaveLinx PRO WPST Tilemount Wiring Diagram



WaveLinx CORE Building Management Integration



Connected Solutions



WaveLinx LITE Wireless Node - WLN

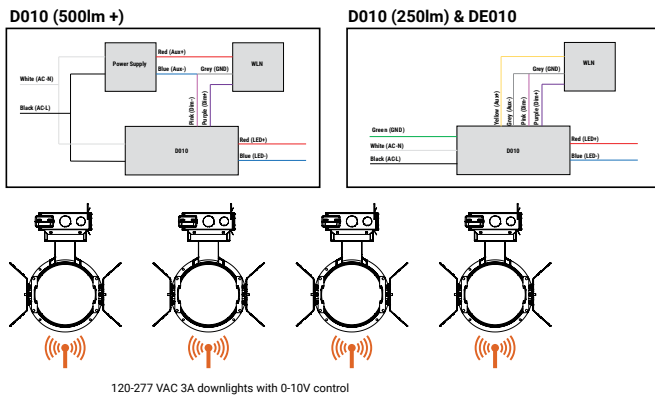
WaveLinx LITE devices only compatible with the WaveLinx LITE system.

- Intuitive Android™ or Apple® iOS® app for basic system code compliant set up and configuration via Bluetooth
- Up to 28 unique areas per project site (WaveLinx LITE Bluetooth network)
- Up to 50 devices for an area, any one of 16 control zones, up to 6 occupancy sets, and custom lighting scenes
- Refer to the WaveLinx system specifications for details
- Not available with BioUp or Tunable White

WaveLinx mobile app settings



WaveLinx LITE Wireless Node (WLN) Wiring Diagram



WaveLinx LITE Bluetooth Enabled System



WaveLinx PRO Wireless Node - WPN

WaveLinx PRO devices only compatible with the WaveLinx PRO system.

- WaveLinx Wireless functionality configures zones and customizes settings from one secure mobile app
- Automatic code commissioning that meets the strictest codes
- Fixtures and sensors integrate with WaveLinx Area Controller, Wall Stations, and Control Devices
- Stand-Alone Offices or Entire Building Network Installations

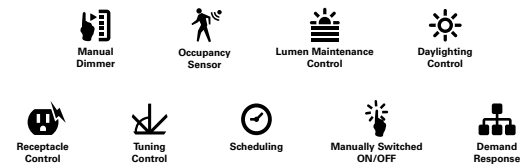
Downlights with wireless communication
Highly efficient LED fixtures

WaveLinx Area Controller
Provides centralized coordination of multiple area control options

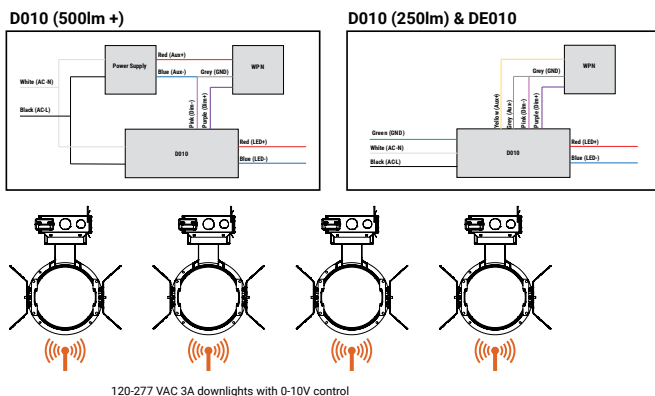
Wireless Wall Station/Receptacle
Provides customized wireless control of each area

Mobile Applications
Provides personalized, local control from a tablet or smartphone

WaveLinx mobile app settings



WaveLinx PRO Wireless Node (WPN) Wiring Diagram



WaveLinx CORE Building Management Integration

