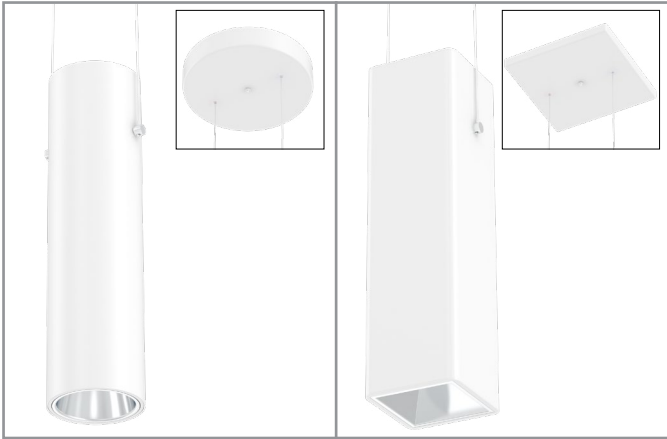


Project		Catalog #		Type	
Prepared by		Notes		Date	



Portfolio

LERPC6C/LESQPC6C LuxWire Cylinders

6" Round and Square Cylinder
LuxWire Power Over Cable

Typical Applications

Office • Education • Healthcare • Hospitality • Retail • Residential

Interactive Menu

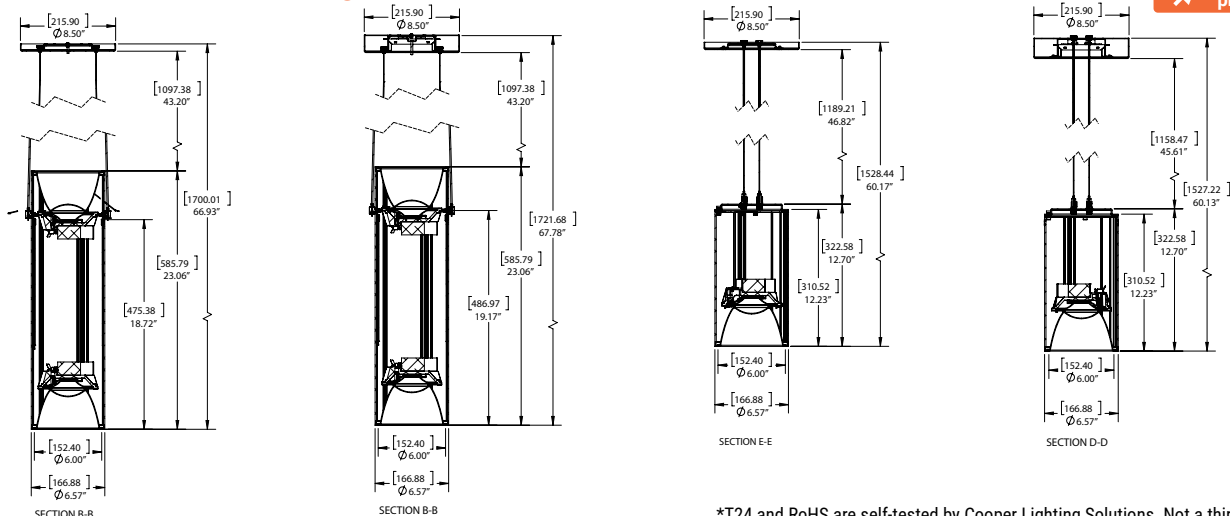
- Order Information page 2
- Product Specification page 4
- Energy Data page 5
- Photometric Data page 6
- Connected Systems page 13
- Product Warranty



Top Product Features

- 250 to 3,000 lumens; Offered in 90 and 97 CRI; Downlight
- LuxWire™ provides low voltage power to the cylinder via aircraft cable
- Extruded aluminum housing; Matte Black, White, Bronze and Silver paint finishes
- 6 color temperatures: 2400K, 2700K, 3000K, 3500K, 4000K and 5000K CCT
- Options to meet Trade Agreements Act requirements
- Downlight and Up/Down, Round and Square

Dimensional and Mounting Details



*T24 and RoHS are self-tested by Cooper Lighting Solutions. Not a third party certification.

Order Information

SAMPLE ORDER NUMBER: **LERPC6C10D010P**

Domestic Preferences ⁽³⁰⁾	Cylinder	Lumens	Driver	Remote ⁽⁸⁾	Finish ⁽¹⁰⁾	Factory Installed Connected Lighting Options
[Blank] =Standard TAA = Trade Agreements Act BAA =Buy American Act	LuxWire Aircraft Cable Up/Down ^{(3) (22) (25) (38) (49)} LESQUDPC6C = 6-inch up/down square, square opening LuxWire aircraft cable with power ⁽¹⁾ LESQRUDPC6C = 6-inch up/down square, round opening LuxWire aircraft cable with power ⁽²⁾ LERUDPC6C = 6-inch up/down round LuxWire aircraft cable with power ⁽²⁾ LuxWire Ceiling Mount Downlight ⁽²⁵⁾ LESQPC6C = 6-inch square, square aperture surface mount LuxWire aircraft cable with power 120" ⁽¹⁾ LESQRPC6C = 6-inch square, round aperture surface mount LuxWire aircraft cable with power 120" ⁽²⁾ LERPC6C = 6-inch round surface mount LuxWire aircraft cable with power 120" ⁽²⁾	02 =250 lumens 05 =500 lumens 08 =800 lumens 10 =1000 lumens 15 =1500 lumens 20 =2000 lumens 25 =2500 lumens 30 =3000 lumens	D010 =0-10V Dimming, 1% to 100%, 120V-277V, 800-3000 lumens 3D010 =0-10V Dimming, 1% to 100%, 347V, 800-3000 Lumens (500 lumens require a Remote Driver) D010TR =0-10V (120-277V) or line voltage (120V) dimming, 1-100% DE010 =0-10V Linear Dimming, 0.1% to 100%, 120V-277V, 500-3000 lumens D5LT =Fifth Light® DALI DT6 Logarithmic Dimming, 0.1% to 100%, 120V-277V, 500-3000 lumens DMX =DMX/RDM Logarithmic Dimming, 0.1% to 100%, 120V-277V, 800-3000 lumens ⁽⁹⁾ DMXC5 =DMX/RDM Logarithmic Dimming, 0.1% to 100%, 120V-277V, with RJ45 connection, 800-3000 lumens ⁽⁶⁾ DLE =Lutron Ecosystem dimming 1% to 100%, 120-277V; 800 to 3000 Lumens DLV =Low Voltage System, 800-3000 lumens	blank =Canopy mount driver (not offered with DMX) R =Remote driver ^{(9) (39)}	P =White MB =Matte Black SL =Silver BZ =Bronze	WPN = WaveLinX PRO Wireless Node without sensor (use with canopy mount driver) ^{(14) (34)} WLN = WaveLinX LITE Wireless Node without sensor (use with canopy mount driver) ^{(14) (37)}

SAMPLE ORDER NUMBER: **EC6C10259035**

Domestic Preferences ⁽³⁰⁾	Power Module	Lumen Levels ⁽¹⁵⁾	Color
[Blank] =Standard TAA = Trade Agreements Act	EC6C =6-inch cylinder light engine ECA6C =6-inch cylinder adjustable light engine (use with 6LBA trim)	0208 =250, 500, 800 lumens 1025 =1000, 1500, 2000 or 2500 Lumens 3035 =3000 lumens 0235 =250, 500, 800, 1000, 1500, 2000, 2500, & 3000 lumens	90 CRI 9024 = 90CRI, 2400K 9027 = 90CRI, 2700K 9030 = 90CRI, 3000K 9035 = 90CRI, 3500K 9040 = 90CRI, 4000K 9050 = 90CRI, 5000K 97 CRI 9727 = 97CRI, 2700K 9730 = 97CRI, 3000K

SAMPLE ORDER NUMBER: **6LBM3LI**

Domestic Preferences ⁽³⁰⁾	Trim	Distribution ⁽¹⁴⁾	Flange	Finish
[Blank] =Standard BAA =Buy American Act ⁽³⁸⁾	6LB =6" Reflector 6LBA = 0-30° directional ⁽⁸⁵⁾	N =Narrow (30° Beam), Spun Aluminum M =Medium (50° Beam), Spun Aluminum MD =45° Cutoff, Medium Beam, Spun Aluminum W =Wide (75° Beam), Spun Aluminum S =Shallow (75° Beam), Spun Aluminum HY =Hyperbolic Medium Beam (not offered with LI or WH) CS =Cast Shallow (75° Beam), Die Cast Aluminum SWN =Single Wall Wash, Spun Aluminum DWN =Double Wall Wash, Spun Aluminum MDSW =45° Cutoff, Single Wall Wash, Spun Aluminum MDDW = 45° Cutoff, Double Wall Wash, Spun Aluminum Square (for use with LESQUDS, LESQS) SQ =Square anodized aluminum CSSQ =Square shallow die cast	3 =Rimless	LI =Specular Clear ⁽¹⁷⁾ H =Semi-Specular Clear ⁽¹⁷⁾ WMH =Warm Haze ⁽¹⁷⁾ WH =Wheat ⁽¹⁷⁾ GPH =Graphite Haze ⁽¹⁷⁾ B =Specular Black ⁽¹⁷⁾ MW =Matte White MB =Matte Black ⁽¹⁸⁾ MMS =Matte Metallic Silver ⁽¹⁸⁾
			3 =Rimless	MW =Matte White MB =Matte Black MMS =Matte Metallic Silver

continued on next page

Order Information

REQUIRED if Remote Driver (R) is specified on Cylinder

Domestic Preferences ⁽⁸⁾	Remote Drivers ⁽⁸⁾	Lumens	Voltage	Driver	Options ⁽³¹⁾ ⁽³³⁾	Controls ⁽³¹⁾ ⁽³³⁾
[Blank] =Standard TAA = Trade Agreements Act	RC100 =Remote 100 ft RC75 = Remote 75 ft RC50 = Remote 50 ft RC25 = Remote 25 ft RC15 = Remote 15 ft RC5 = Remote 5 ft RC2 = Remote 2 ft	02 =250 lumens 05 =500 lumens 08 =800 lumens 10 =1000 lumens 15 =1500 lumens 20 =2000 lumens 25 =2500 lumens 30 =3000 lumens	blank =120-277V 3 =347V ⁽³⁴⁾	D010 =0-10V Dimming, 1% to 100%, 120V-277V, 800-3000 lumens D010TR =0-10V (120-277V) or line voltage (120V) dimming, 1-100% DE010 =0-10V Linear Dimming, 0.1% to 100%, 120V-277V, 500-3000 lumens D5LT =Fifth Light® DALI DT6 Logarithmic Dimming, 0.1% to 100%, 120V-277V, 500-3000 lumens DMX =DMX/RDM Logarithmic Dimming, 0.1% to 100%, 120V-277V, 800-3000 lumens ⁽⁹⁾ DMXC5 =DMX/RDM Logarithmic Dimming, 0.1% to 100%, 120V-277V, with RJ45 connection, 800-3000 lumens ⁽⁶⁾ DLE =Lutron Ecosystem dimming 1% to 100%, 120-277V; 800 to 3000 Lumens ⁽¹²⁾ DLV =Low Voltage System, 800-3000 lumens	EMBOD =Bodine® Emergency Module with Remote Test Switch EMBOD6ST =Bodine® 6W Self Test Emergency Module with Remote Test Switch EM7 =7W Emergency Module with Remote Test Switch EM14 =14W Emergency Module with Remote Test Switch EMBOD7ST =Bodine® Self Test Emergency Module EMV7 =7W Low Voltage Emergency Module with Remote Test Switch ⁽²¹⁾ EMV14 =14W Low Voltage Emergency Module with Remote Test Switch ⁽²¹⁾ ETRD =Emergency transfer device ⁽³²⁾	WPST =Factory installed Wavelinx (includes control module, sensor, cable, tile mount and ceiling mount sensor) ⁽¹⁴⁾ ⁽²⁸⁾ WLST =Factory installed WaveLinX Lite Sensor Kit ⁽¹⁴⁾ ⁽²⁷⁾ WPN = WaveLinX PRO Wireless Node without sensor ⁽¹⁴⁾ ⁽³⁶⁾ WLN = WaveLinX LITE Wireless Node without sensor ⁽¹⁴⁾ ⁽³⁷⁾

Domestic Preferences

Accessories

Domestic Preferences	Accessories
[Blank] =Standard TAA =Trade Agreements Act	Conduit Kit ⁽²⁴⁾ SMRCC6P = Round conduit canopy for surface mount, white SMRCC6MB = Round conduit canopy for surface mount, black SMRCC6BZ = Round conduit canopy for surface mount, bronze SMRCC6SL = Round conduit canopy for surface mount, silver

Notes

(1) Square reflector

(2) Round reflector

(3) Square reflector, requires two reflectors and light engines

(4) Round reflector, requires two reflectors and light engines

(5) DMX fixtures default to full on upon loss of DMX signal

(6) Up down surface mount require 2 driver assemblies

(9) Order remote driver separately. See below to order.

(10) Consult factory for custom finishes.

(12) Only available up to 25 ft.

(14) Refer to system specifications for additional information, features, and benefits. Order either factory installed option or accessory. Use with 0-10V driver. WPN is factory installed only.

(15) Nominal Lumens will vary depending on selected color, driver and reflector finish.

(16) Beam angles are nominal with LI finish trims.

(17) Anodized or spun aluminum reflectors

(18) Die cast reflectors only

(21) ULUS listed only

(22) Lumen specified for up/down is the same for both directions. Ex. 800 lumens will be 800 lumens up & 800 lumens down.

(24) Not for use with remote driver

(27) WLST = WaveLinX Lite tile mount sensor kit for daylight dimming, PIR motion sensing, use with D010 only (Refer to WaveLinX Lite system specifications)

(28) WPST = WaveLinX wireless sensor kit for daylight dimming, PIR motion sensing, and optional RLTS - Real Time Location Services, use with 0-10V only

(30) To order product that is compliant with the Buy American Act of 1933 (BAA) or Trade Agreements Act (TAA), use the online specification configurator to specify BAA or TAA. Please refer to [DOMESTIC PREFERENCES LINK](#) for more information. Components shipped separately may be

separately analyzed under domestic preference requirements. Accessories sold separately will be separately analyzed under domestic preference requirements.

(31) 120V-277V

(32) Used to bypass local control during outage. Must be used in conjunction with UL 1008 device (provided by others).

(33) Non-IC

(34) D010 800 to 3000 lumens.(250 and 500 lumens, and other drivers use step down transformer)

(35) Order with ECA6C light engine

(36) WPN = WaveLinX PRO wireless node provides luminaire-level control with scene and zone configuration without an integrated sensor; Connects wirelessly with daylight dimming sensor and PIR motion sensor if desired. Use with 0-10V driver only.

(37) WLN = WaveLinX LITE wireless node provides luminaire level control with scene and zone configuration without an integrated sensor; Connects wirelessly with daylight dimming sensor and PIR motion sensor if desired. Use with D010 or DE010 drivers only.

(38) Offered with spun aluminum narrow (N), medium (M) and wide (W) trims.

(39) Up/down 2500 and 3000 lumens requires a remote driver.

(40) For use with wide, shallow and round lensed wall wash trims only

Product Specifications

Lower Reflector

- Painted die-cast aluminum or spun aluminum lower reflector with a lensed upper optical chamber provides superior lumen output with minimal source brightness
- Square surface mount available with square or round reflectors
- Spun reflectors are available in all Portfolio finishes
- Directional with baffle tilts from 0-30°

Wall Wash Reflector

- Open Wall Wash - wall wash reflector with gradient kicker offered in single and double with choice of wide or medium beam, providing even vertical illumination with minimal source brightness.
- Rotatable Lensed Wall Wash - Rotatable lensed wall wash reflector offered in single and double wall wash provides even vertical illumination with minimal source brightness.

Trim retention

- Two torsion springs hold flange tightly to the cylinder lip

Cylinder

- Round and soft square extruded aluminum
- Matte white, bronze, silver or matte black
- Available in standard and shallow heights
- Consult factory for custom finishes

Mounting

- Mounting plate installs to mounted junction box
- Conduit canopy allows for mounting pendant and surface cylinder on hard ceilings provided in painted finish to match the cylinder accommodates ½" or ¾" conduit.

Thermal

- Aluminum heat sink conducts heat away from the LED module for optical performance and longer life

LED System

- Contains a plurality of high brightness white LED's combined with a high reflectance upper reflector and convex transitional lens producing even distribution without pixilation
- Auto resetting, thermally protected, LED's are turned off when safe operating temperatures are exceeded
- Quick disconnect allows for tool-less replacement of LED engine from below ceiling
- 90 and 97 CRI
- 90 & 97CRI: L78 55,000 hours for 1000-2000 lumens, L90 55,000 for all other lumen output
- Color variation within 2-step MacAdam ellipses
- Available in 2400K, 2700K, 3000K, 3500K, 4000K and 5000K correlated color temperature (CCT)

Vividtune and High CRI

- 98 CRI and W2N: L70 55,000 hours
- D2W™ – dim-to-warm shifts CCT from 3000K to 1850K as fixture dims mimicking halogen sources.
- W2N - Tunable white CCT range 2700K to 6500K or 2000K to 5000K, 90 CRI. Standard
- **98 CRI** With a full-spectrum approach using broad-blue chip technology and special phosphor blends, Thrive is able to closely match the spectrum of the sun across all color temperatures. Benefits of the natural spectrum of the sun using Thrive include superior accurate color rendering, reduced eye strain, and a higher sense of emotional well-being.
- See dedicated specification sheet for more details.

Driver

- Standard 120-277V 0-10V dimming driver provides flicker-free dimming from 100% to 1%
- Optional 120V leading edge, <1% 0-10V, Fifth Light, DMX or Lutron®
- Remote driver option up to 100' based on driver selection
- Distributed low voltage power system combines power, lighting, and controls with ease of installation.

Connected Lighting System

Two WaveLinX connected solutions to choose from. Refer to WaveLinX system specifications and application guides for details.

[WaveLinX PRO Tilemount Sensor Kit](#)

- WaveLinX PRO WPST tilemount sensor kit offers daylight dimming, PIR motion sensing, scene and zone configuration, automatic commissioning; and optional RLTS - Real Time Location Services available.

[WaveLinX PRO Wireless Node](#)

- WaveLinX PRO WPN wireless node provides luminaire-level control with scene and zone configuration without an integrated sensor; Connects wirelessly with daylight dimming sensor and PIR motion sensor if desired. Use with 0-10V driver only. **Note:** Not compatible with 347V or Chicago plenum.

[WaveLinX LITE Tilemount Sensor Kit](#)

- WaveLinX LITE WLST tilemount sensor kit offers daylight dimming and PIR motion sensing, scene and grouping configuration.

[WaveLinX LITE Wireless Node](#)

- WaveLinX LITE WLN wireless node provides luminaire level control with scene and zone configuration without an integrated sensor; Connects wirelessly with daylight dimming sensor and PIR motion sensor if desired. Use with 0-10V driver only. **Note:** Not compatible with 347V or Chicago plenum.

[WaveLinX Tilemount Sensor Kits Application](#)

- The WPST and WLST tilemount sensor kits include a control module mounted on the luminaire junction box via 1/2" knock-out, and a tilemount sensor on 54-inch whip; for ceiling installation by direct-mount spring clips or via mounting bracket in octagon ceiling boxes.
- The WPST and WLST tilemount sensor kits may be ordered as factory installed on the luminaire, or ordered separately as a field installed accessory kit.
- **Note: WaveLinX PRO devices are only compatible with the WaveLinX PRO system.**
- **Note: WaveLinX LITE devices are only compatible with the WaveLinX LITE system.**

Compliance

- cULus Certified to UL 1598 / Canada C22.2 No. 250.0
- EMI/RFI emissions per FCC 47CFR Part 18 Class B consumer limits
- RoHS compliant
- Photometric testing completed in accordance with IES LM-79
- LED life testing completed in accordance with IES LM-80 standards

Warranty

- Five year warranty www.cooperlighting.com/legal

*T24 and RoHS are self-tested by Cooper Lighting Solutions. Not a third party certification.

Energy Data

D010 DRIVER ENERGY DATA

Series	250 lumen		500 lumen		800 lumen		1000 lumen		1500 lumen		2000 lumen	
	120V	277V	120V	277V	120V	277V	120V	277V	120V	277V	120V	277V
Input Voltage 120-277VAC	120V	277V	120V	277V	120V	277V	120V	277V	120V	277V	120V	277V
Input Current (A)	0.029	0.017	0.061	0.032	0.085	0.041	0.084	0.042	0.135	0.063	0.189	0.084
Input Power (W)	3.45	3.87	7.33	7.78	10.15	10.52	10.04	10.43	16.17	16.56	22.58	22.63
In-rush (A)	2.1	8.5	3.7	8.5	3.6	8.3	3.6	8.4	2.3	9.5	2.1	9.7
Inrush duration (µs)	250	131	190	136	220	135	226	136	230	125	243	132
THDi (%)	7.21	16.92	7.82	10.78	5.57	9.63	7.78	9.24	4.75	9.93	8.03	7.44
PF	≥ 0.98	≥ 0.9	≥ 0.99	≥ 0.93	≥ 0.99	≥ 0.95	≥ 0.99	≥ 0.95	≥ 0.99	≥ 0.94	≥ 0.99	≥ 0.96

Series	2500 lumen		3000 lumen	
	120V	277V	120V	277V
Input Voltage 120-277VAC	120V	277V	120V	277V
Input Current (A)	0.276	0.121	0.276	0.121
Input Power (W)	32.98	32.57	32	32.57
In-rush (A)	2.5	11.8	3.6	11.8
Inrush duration (µs)	215	111	220	111
THDi (%)	9.86	6.57	5.57	6.57
PF	≥ 0.99	≥ 0.97	≥ 0.99	≥ 0.99

Minimum starting temperature -30°C (-22°F)*
(Nominal input 120-277VAC & 100% of rated output power)

Sound Rating: Class A standards

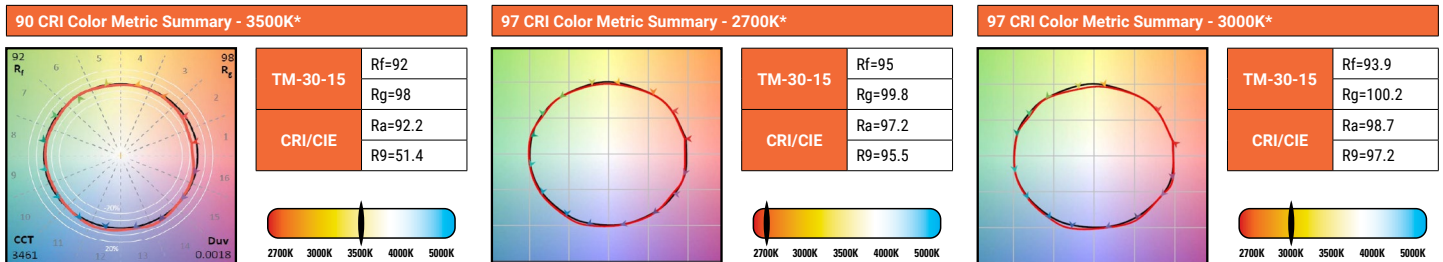
EMI/RFI: FCC Title 47 CFR, Part 15, Class B (Consumer)

Input Frequency: 50/60Hz

Notes:

Emergency Battery packs are rated for a minimum starting temperature of 0°C.

COLOR METRICS - TM-30-15 & CRI/CIE



* Color values are based on haze reflector, other finishes and field results may vary.

Beam Angles

Trim	Beam Angle
6LBMH	MEDIUM 60° BEAM (H)
6LBMLI	MEDIUM 55° BEAM (LI)
6LBNH	NARROW 55° BEAM (H)
6LBNLI	NARROW 30° BEAM (LI)
6LBSH	SHALLOW 85° BEAM (H)
6LBSLI	SHALLOW 70° BEAM (LI)
6LBWH	WIDE 80° BEAM (H)

Trim	Beam Angle
6LBWLI	WIDE 80° BEAM (LI)
6LBSWNLI	SINGLE WALL WASH (LI)
6LBLSWWH	LENSED WALL WASH (H)
6LBLSWWLI	LENSED WALL WASH (LI)
6LBMDH	MEDIUM BEAM 45° CUTOFF 50° BEAM (H)
6LBMDLI	MEDIUM BEAM 45° CUTOFF 50° BEAM (LI)

Photometric Data

[View IES files](#)

MEDIUM 60° BEAM (H)		CANDLEPOWER DISTRIBUTION				CONE OF LIGHT				CANDELA TABLE		ZONAL LUMEN SUMMARY			LUMINANCE	
Test Number	P571658	Downlight 								Degrees Vertical	Canдела	Zone	Lumens	% Fixture	Average Candela Degrees	Average 0° Luminance
Housing	LE*6C20D010									0	1493	0-30	947	62.8	37	30591
Module	EC6C10259035	5	1120	0-40	1287	85.3	45	13699								
Trim	6LBMH	15	747	0-60	1482	98.2	55	5142								
Lumens	1509	25	373	0-90	1509	100	65	2516								
Efficacy	69.2 Lm/W	35	0	90-180	0	0	75	1377								
SC	0.94	45	0	0-180	1509	100	85	0								
UGR	12.5	55	0													
		65	0													
		75	0													
		85	0													
		90	0													

MEDIUM 55° BEAM (LI)		CANDLEPOWER DISTRIBUTION				CONE OF LIGHT				CANDELA TABLE		ZONAL LUMEN SUMMARY			LUMINANCE	
Test Number	P571659	Downlight 								Degrees Vertical	Canдела	Zone	Lumens	% Fixture	Average Candela Degrees	Average 0° Luminance
Housing	LE*6C20D010									0	2311	0-30	1359	73.6	37	30951
Module	EC6C10259035	5	1733	0-40	1737	94	45	8063								
Trim	6LBMLI	15	1156	0-60	1841	99.7	55	898								
Lumens	1847	25	578	0-90	1847	100	65	623								
Efficacy	84.7 Lm/W	35	0	90-180	0	0	75	508								
SC	0.85	45	0	0-180	1847	100	85	0								
UGR	1.3	55	0													
		65	0													
		75	0													
		85	0													
		90	0													

NARROW 55° BEAM (H)		CANDLEPOWER DISTRIBUTION				CONE OF LIGHT				CANDELA TABLE		ZONAL LUMEN SUMMARY			LUMINANCE	
Test Number	P571660	Downlight 								Degrees Vertical	Canдела	Zone	Lumens	% Fixture	Average Candela Degrees	Average 0° Luminance
Housing	LE*6C20D010									0	1665	0-30	916	70.5	37	23572
Module	EC6C10259035	5	1249	0-40	1191	91.7	45	6977								
Trim	6LBNH	15	833	0-60	1289	99.2	55	2045								
Lumens	1299	25	416	0-90	1299	100	65	921								
Efficacy	59.6 Lm/W	35	0	90-180	0	0	75	508								
SC	0.78	45	0	0-180	1299	100	85	0								
UGR	6.9	55	0													
		65	0													
		75	0													
		85	0													
		90	0													

NARROW 30° BEAM (LI)		CANDLEPOWER DISTRIBUTION				CONE OF LIGHT				CANDELA TABLE		ZONAL LUMEN SUMMARY			LUMINANCE	
Test Number	P571661	Downlight 								Degrees Vertical	Canдела	Zone	Lumens	% Fixture	Average Candela Degrees	Average 0° Luminance
Housing	LE*6C20D010									0	3738	0-30	1320	80.4	37	21389
Module	EC6C10259035	5	2804	0-40	1580	96.2	45	4590								
Trim	6LBNLI	15	1869	0-60	1639	99.8	55	459								
Lumens	1642	25	935	0-90	1642	100	65	311								
Efficacy	75.3 Lm/W	35	0	90-180	0	0	75	0								
SC	0.53	45	0	0-180	1642	100	85	0								
UGR	0	55	0													
		65	0													
		75	0													
		85	0													
		90	0													

Photometric Data

[View IES files](#)

SHALLOW 85° BEAM (H)		CANDLEPOWER DISTRIBUTION				CONE OF LIGHT				CANDELA TABLE		ZONAL LUMEN SUMMARY			LUMINANCE	
Test Number	P571662	Downlight 								Degrees Vertical	Canдела	Zone	Lumens	% Fixture	Average Candela Degrees	Average 0° Luminance
Housing	LE*6C20D010									0	1125	0-30	790	36.7	37	45292
Module	EU6C10259035	5	1116	0-40	1224	56.9	45	40764								
Trim	6LBSH	15	1021	0-60	1936	90	55	32821								
Lumens	2151	25	864	0-90	2151	100	65	21818								
Efficacy	98.7 Lm/W	35	694	90-180	0	0	75	8536								
SC	1.06	45	526	0-180	2151	100	85	0								
UGR	24.9	55	343													
		65	168													
		75	40													
		85	0													
		90	0													

SHALLOW 70° BEAM (LI)		CANDLEPOWER DISTRIBUTION				CONE OF LIGHT				CANDELA TABLE		ZONAL LUMEN SUMMARY			LUMINANCE	
Test Number	P571663	Downlight 								Degrees Vertical	Canдела	Zone	Lumens	% Fixture	Average Candela Degrees	Average 0° Luminance
Housing	LE*6C20D010									0	1405	0-30	879	39.5	37	45256
Module	EU6C10259035	5	1383	0-40	1315	59.1	45	40516								
Trim	6LBSLI	15	1175	0-60	2019	90.7	55	32324								
Lumens	2226	25	913	0-90	2226	100	65	21170								
Efficacy	102.1 Lm/W	35	695	90-180	0	0	75	8006								
SC	0.91	45	523	0-180	2226	100	85	0								
UGR	24.6	55	338													
		65	163													
		75	38													
		85	0													
		90	0													

WIDE 80° BEAM (H)		CANDLEPOWER DISTRIBUTION				CONE OF LIGHT				CANDELA TABLE		ZONAL LUMEN SUMMARY			LUMINANCE	
Test Number	P571664	Downlight 								Degrees Vertical	Canдела	Zone	Lumens	% Fixture	Average Candela Degrees	Average 0° Luminance
Housing	LE*6C20D010									0	1127	0-30	851	46.6	37	47030
Module	EU6C10259035	5	1122	0-40	1312	71.8	45	31934								
Trim	6LBWH	15	1072	0-60	1770	96.9	55	14260								
Lumens	1827	25	968	0-90	1827	100	65	5228								
Efficacy	83.8 Lm/W	35	746	90-180	0	0	75	2499								
SC	1.16	45	412	0-180	1827	100	85	1510								
UGR	17.8	55	149													
		65	40													
		75	12													
		85	2													
		90	0													

WIDE 80° BEAM (LI)		CANDLEPOWER DISTRIBUTION				CONE OF LIGHT				CANDELA TABLE		ZONAL LUMEN SUMMARY			LUMINANCE	
Test Number	P571665	Downlight 								Degrees Vertical	Canдела	Zone	Lumens	% Fixture	Average Candela Degrees	Average 0° Luminance
Housing	LE*6C20D010									0	1304	0-30	1074	51.4	37	58990
Module	EU6C10259035	5	1311	0-40	1657	79.4	45	33942								
Trim	6LBWLI	15	1339	0-60	2075	99.4	55	7235								
Lumens	2087	25	1249	0-90	2087	100	65	921								
Efficacy	95.7 Lm/W	35	946	90-180	0	0	75	508								
SC	1.24	45	438	0-180	2087	100	85	0								
UGR	10.8	55	76													
		65	7													
		75	2													
		85	0													
		90	0													

Photometric Data

[View IES files](#)

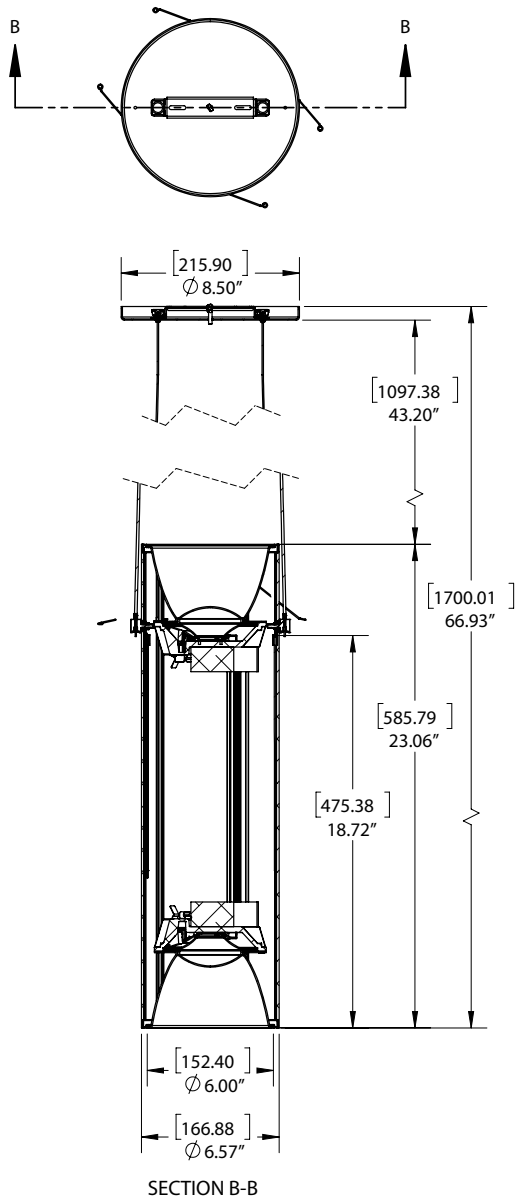
SINGLE WALL WASH (LI)		CANDLEPOWER DISTRIBUTION				CONE OF LIGHT				CANDELA TABLE		ZONAL LUMEN SUMMARY			LUMINANCE																																																																																
Test Number	P571666	Downlight 				 <table border="1"> <thead> <tr> <th>D</th> <th>FC</th> <th>L</th> <th>W</th> </tr> </thead> <tbody> <tr> <td>4'</td> <td>7.7</td> <td>4.7</td> <td>4.8</td> </tr> <tr> <td>7'</td> <td>25.1</td> <td>8.2</td> <td>8.6</td> </tr> <tr> <td>9'</td> <td>15.2</td> <td>10.6</td> <td>11.2</td> </tr> <tr> <td>13'</td> <td>7.3</td> <td>15.3</td> <td>16</td> </tr> <tr> <td>16'</td> <td>4.8</td> <td>18.9</td> <td>19.8</td> </tr> </tbody> </table>				D	FC	L	W	4'	7.7	4.7	4.8	7'	25.1	8.2	8.6	9'	15.2	10.6	11.2	13'	7.3	15.3	16	16'	4.8	18.9	19.8	<table border="1"> <thead> <tr> <th>Degrees Vertical</th> <th>Candela</th> </tr> </thead> <tbody> <tr><td>0</td><td>1155</td></tr> <tr><td>5</td><td>1121</td></tr> <tr><td>15</td><td>1048</td></tr> <tr><td>25</td><td>949</td></tr> <tr><td>35</td><td>746</td></tr> <tr><td>45</td><td>470</td></tr> <tr><td>55</td><td>281</td></tr> <tr><td>65</td><td>181</td></tr> <tr><td>75</td><td>82</td></tr> <tr><td>85</td><td>18</td></tr> <tr><td>90</td><td>0</td></tr> </tbody> </table>	Degrees Vertical	Candela	0	1155	5	1121	15	1048	25	949	35	746	45	470	55	281	65	181	75	82	85	18	90	0	<table border="1"> <thead> <tr> <th>Zone</th> <th>Lumens</th> <th>% Fixture</th> </tr> </thead> <tbody> <tr><td>0-30</td><td>971</td><td>46</td></tr> <tr><td>0-40</td><td>1515</td><td>71.7</td></tr> <tr><td>0-60</td><td>2008</td><td>95.1</td></tr> <tr><td>0-90</td><td>2112</td><td>100</td></tr> <tr><td>90-180</td><td>0</td><td>0</td></tr> <tr><td>0-180</td><td>2112</td><td>100</td></tr> </tbody> </table>	Zone	Lumens	% Fixture	0-30	971	46	0-40	1515	71.7	0-60	2008	95.1	0-90	2112	100	90-180	0	0	0-180	2112	100	<table border="1"> <thead> <tr> <th>Average Candela Degrees</th> <th>Average 0° Luminance</th> </tr> </thead> <tbody> <tr><td>37</td><td>47358</td></tr> <tr><td>45</td><td>36399</td></tr> <tr><td>55</td><td>26819</td></tr> <tr><td>65</td><td>23491</td></tr> <tr><td>75</td><td>17305</td></tr> <tr><td>85</td><td>11133</td></tr> </tbody> </table>	Average Candela Degrees	Average 0° Luminance	37	47358	45	36399	55	26819	65	23491	75	17305	85	11133
D	FC									L	W																																																																																				
4'	7.7	4.7	4.8																																																																																												
7'	25.1	8.2	8.6																																																																																												
9'	15.2	10.6	11.2																																																																																												
13'	7.3	15.3	16																																																																																												
16'	4.8	18.9	19.8																																																																																												
Degrees Vertical	Candela																																																																																														
0	1155																																																																																														
5	1121																																																																																														
15	1048																																																																																														
25	949																																																																																														
35	746																																																																																														
45	470																																																																																														
55	281																																																																																														
65	181																																																																																														
75	82																																																																																														
85	18																																																																																														
90	0																																																																																														
Zone	Lumens	% Fixture																																																																																													
0-30	971	46																																																																																													
0-40	1515	71.7																																																																																													
0-60	2008	95.1																																																																																													
0-90	2112	100																																																																																													
90-180	0	0																																																																																													
0-180	2112	100																																																																																													
Average Candela Degrees	Average 0° Luminance																																																																																														
37	47358																																																																																														
45	36399																																																																																														
55	26819																																																																																														
65	23491																																																																																														
75	17305																																																																																														
85	11133																																																																																														
Housing	LE*6C20D010																																																																																														
Module	EC6C10259035																																																																																														
Trim	6LBSWNL1																																																																																														
Lumens	2112																																																																																														
Efficacy	96.9 Lm/W																																																																																														
SC	1.29																																																																																														
UGR	25.8																																																																																														

MEDIUM BEAM 45° CUTOFF 50° BEAM (H)		CANDLEPOWER DISTRIBUTION				CONE OF LIGHT				CANDELA TABLE		ZONAL LUMEN SUMMARY			LUMINANCE																																																																																
Test Number	P571669	Downlight 				 <table border="1"> <thead> <tr> <th>D</th> <th>FC</th> <th>L</th> <th>W</th> </tr> </thead> <tbody> <tr> <td>4'</td> <td>122.6</td> <td>3.2</td> <td>3.2</td> </tr> <tr> <td>7'</td> <td>40</td> <td>5.6</td> <td>5.6</td> </tr> <tr> <td>9'</td> <td>24.2</td> <td>7.2</td> <td>7.2</td> </tr> <tr> <td>13'</td> <td>11.6</td> <td>10.4</td> <td>10.4</td> </tr> <tr> <td>16'</td> <td>7.7</td> <td>12.8</td> <td>12.8</td> </tr> </tbody> </table>				D	FC	L	W	4'	122.6	3.2	3.2	7'	40	5.6	5.6	9'	24.2	7.2	7.2	13'	11.6	10.4	10.4	16'	7.7	12.8	12.8	<table border="1"> <thead> <tr> <th>Degrees Vertical</th> <th>Candela</th> </tr> </thead> <tbody> <tr><td>0</td><td>1962</td></tr> <tr><td>5</td><td>1894</td></tr> <tr><td>15</td><td>1517</td></tr> <tr><td>25</td><td>1052</td></tr> <tr><td>35</td><td>437</td></tr> <tr><td>45</td><td>128</td></tr> <tr><td>55</td><td>27</td></tr> <tr><td>65</td><td>9</td></tr> <tr><td>75</td><td>3</td></tr> <tr><td>85</td><td>0</td></tr> <tr><td>90</td><td>0</td></tr> </tbody> </table>	Degrees Vertical	Candela	0	1962	5	1894	15	1517	25	1052	35	437	45	128	55	27	65	9	75	3	85	0	90	0	<table border="1"> <thead> <tr> <th>Zone</th> <th>Lumens</th> <th>% Fixture</th> </tr> </thead> <tbody> <tr><td>0-30</td><td>1072</td><td>71.8</td></tr> <tr><td>0-40</td><td>1351</td><td>90.5</td></tr> <tr><td>0-60</td><td>1480</td><td>99.1</td></tr> <tr><td>0-90</td><td>1493</td><td>100</td></tr> <tr><td>90-180</td><td>0</td><td>0</td></tr> <tr><td>0-180</td><td>1493</td><td>100</td></tr> </tbody> </table>	Zone	Lumens	% Fixture	0-30	1072	71.8	0-40	1351	90.5	0-60	1480	99.1	0-90	1493	100	90-180	0	0	0-180	1493	100	<table border="1"> <thead> <tr> <th>Average Candela Degrees</th> <th>Average 0° Luminance</th> </tr> </thead> <tbody> <tr><td>37</td><td>24203</td></tr> <tr><td>45</td><td>9900</td></tr> <tr><td>55</td><td>2542</td></tr> <tr><td>65</td><td>1180</td></tr> <tr><td>75</td><td>635</td></tr> <tr><td>85</td><td>252</td></tr> </tbody> </table>	Average Candela Degrees	Average 0° Luminance	37	24203	45	9900	55	2542	65	1180	75	635	85	252
D	FC									L	W																																																																																				
4'	122.6	3.2	3.2																																																																																												
7'	40	5.6	5.6																																																																																												
9'	24.2	7.2	7.2																																																																																												
13'	11.6	10.4	10.4																																																																																												
16'	7.7	12.8	12.8																																																																																												
Degrees Vertical	Candela																																																																																														
0	1962																																																																																														
5	1894																																																																																														
15	1517																																																																																														
25	1052																																																																																														
35	437																																																																																														
45	128																																																																																														
55	27																																																																																														
65	9																																																																																														
75	3																																																																																														
85	0																																																																																														
90	0																																																																																														
Zone	Lumens	% Fixture																																																																																													
0-30	1072	71.8																																																																																													
0-40	1351	90.5																																																																																													
0-60	1480	99.1																																																																																													
0-90	1493	100																																																																																													
90-180	0	0																																																																																													
0-180	1493	100																																																																																													
Average Candela Degrees	Average 0° Luminance																																																																																														
37	24203																																																																																														
45	9900																																																																																														
55	2542																																																																																														
65	1180																																																																																														
75	635																																																																																														
85	252																																																																																														
Housing	LE*6C20D010																																																																																														
Module	EC6C10259035																																																																																														
Trim	6LBMDH																																																																																														
Lumens	1493																																																																																														
Efficacy	68.5 Lm/W																																																																																														
SC	0.8																																																																																														
UGR	7.6																																																																																														

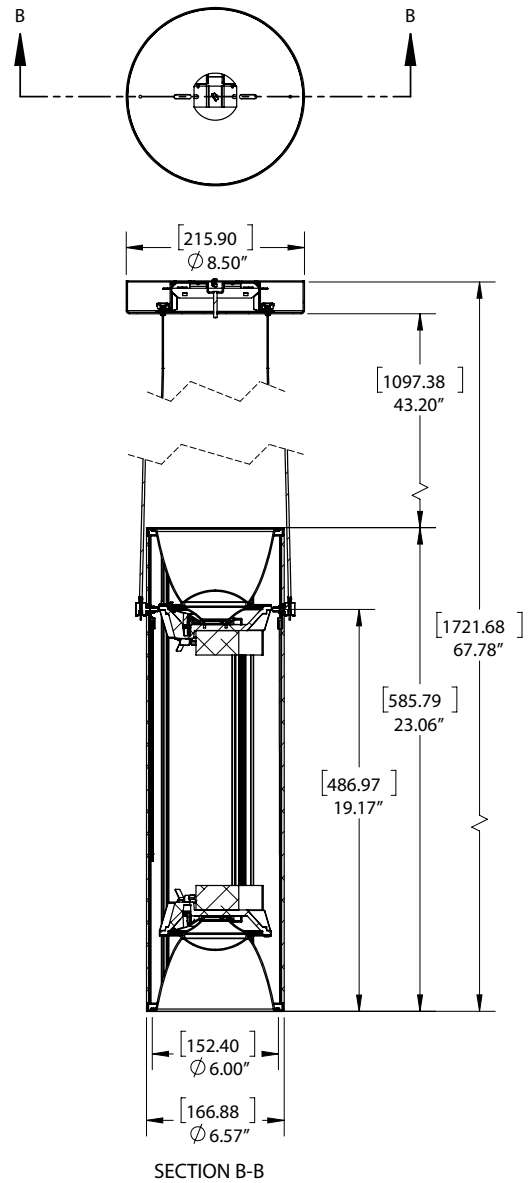
MEDIUM BEAM 45° CUTOFF 50° BEAM (LI)		CANDLEPOWER DISTRIBUTION				CONE OF LIGHT				CANDELA TABLE		ZONAL LUMEN SUMMARY			LUMINANCE																																																																																
Test Number	P571670	Downlight 				 <table border="1"> <thead> <tr> <th>D</th> <th>FC</th> <th>L</th> <th>W</th> </tr> </thead> <tbody> <tr> <td>4'</td> <td>144.6</td> <td>3</td> <td>3</td> </tr> <tr> <td>7'</td> <td>47.2</td> <td>5.2</td> <td>5.2</td> </tr> <tr> <td>9'</td> <td>28.6</td> <td>6.8</td> <td>6.8</td> </tr> <tr> <td>13'</td> <td>13.7</td> <td>9.8</td> <td>9.8</td> </tr> <tr> <td>16'</td> <td>9</td> <td>12</td> <td>12</td> </tr> </tbody> </table>				D	FC	L	W	4'	144.6	3	3	7'	47.2	5.2	5.2	9'	28.6	6.8	6.8	13'	13.7	9.8	9.8	16'	9	12	12	<table border="1"> <thead> <tr> <th>Degrees Vertical</th> <th>Candela</th> </tr> </thead> <tbody> <tr><td>0</td><td>2314</td></tr> <tr><td>5</td><td>2309</td></tr> <tr><td>15</td><td>1837</td></tr> <tr><td>25</td><td>1109</td></tr> <tr><td>35</td><td>371</td></tr> <tr><td>45</td><td>65</td></tr> <tr><td>55</td><td>6</td></tr> <tr><td>65</td><td>2</td></tr> <tr><td>75</td><td>1</td></tr> <tr><td>85</td><td>0</td></tr> <tr><td>90</td><td>0</td></tr> </tbody> </table>	Degrees Vertical	Candela	0	2314	5	2309	15	1837	25	1109	35	371	45	65	55	6	65	2	75	1	85	0	90	0	<table border="1"> <thead> <tr> <th>Zone</th> <th>Lumens</th> <th>% Fixture</th> </tr> </thead> <tbody> <tr><td>0-30</td><td>1230</td><td>79.4</td></tr> <tr><td>0-40</td><td>1486</td><td>95.9</td></tr> <tr><td>0-60</td><td>1546</td><td>99.8</td></tr> <tr><td>0-90</td><td>1549</td><td>100</td></tr> <tr><td>90-180</td><td>0</td><td>0</td></tr> <tr><td>0-180</td><td>1549</td><td>100</td></tr> </tbody> </table>	Zone	Lumens	% Fixture	0-30	1230	79.4	0-40	1486	95.9	0-60	1546	99.8	0-90	1549	100	90-180	0	0	0-180	1549	100	<table border="1"> <thead> <tr> <th>Average Candela Degrees</th> <th>Average 0° Luminance</th> </tr> </thead> <tbody> <tr><td>37</td><td>18792</td></tr> <tr><td>45</td><td>5032</td></tr> <tr><td>55</td><td>535</td></tr> <tr><td>65</td><td>259</td></tr> <tr><td>75</td><td>169</td></tr> <tr><td>85</td><td>0</td></tr> </tbody> </table>	Average Candela Degrees	Average 0° Luminance	37	18792	45	5032	55	535	65	259	75	169	85	0
D	FC									L	W																																																																																				
4'	144.6	3	3																																																																																												
7'	47.2	5.2	5.2																																																																																												
9'	28.6	6.8	6.8																																																																																												
13'	13.7	9.8	9.8																																																																																												
16'	9	12	12																																																																																												
Degrees Vertical	Candela																																																																																														
0	2314																																																																																														
5	2309																																																																																														
15	1837																																																																																														
25	1109																																																																																														
35	371																																																																																														
45	65																																																																																														
55	6																																																																																														
65	2																																																																																														
75	1																																																																																														
85	0																																																																																														
90	0																																																																																														
Zone	Lumens	% Fixture																																																																																													
0-30	1230	79.4																																																																																													
0-40	1486	95.9																																																																																													
0-60	1546	99.8																																																																																													
0-90	1549	100																																																																																													
90-180	0	0																																																																																													
0-180	1549	100																																																																																													
Average Candela Degrees	Average 0° Luminance																																																																																														
37	18792																																																																																														
45	5032																																																																																														
55	535																																																																																														
65	259																																																																																														
75	169																																																																																														
85	0																																																																																														
Housing	LE*6C20D010																																																																																														
Module	EC6C10259035																																																																																														
Trim	6LBMDLI																																																																																														
Lumens	1549																																																																																														
Efficacy	71.1 Lm/W																																																																																														
SC	0.76																																																																																														
UGR	0																																																																																														

Dimensional and Mounting Details

**6IN ROUND CYLINDER
STANDARD POWER CORD UP DOWN PENDANT**

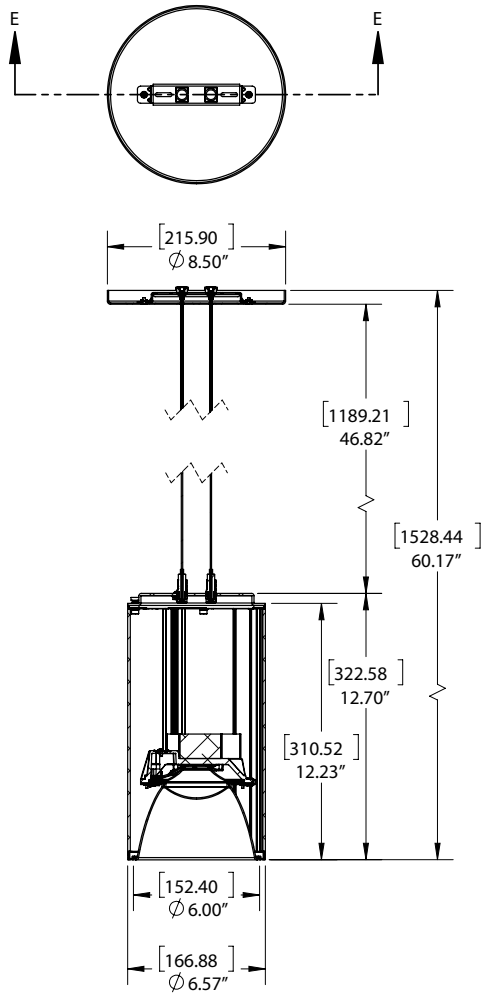


**6IN ROUND CYLINDER
STANDARD POWER CORD UP DOWN PENDANT DRIVER**



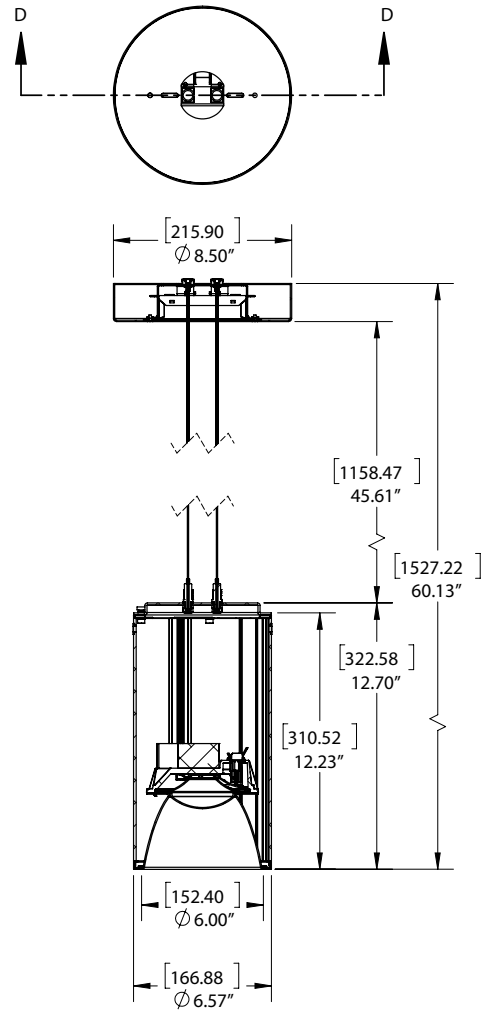
Dimensional and Mounting Details

**6IN ROUND CYLINDER
POWER CORD PENDANT**



SECTION E-E

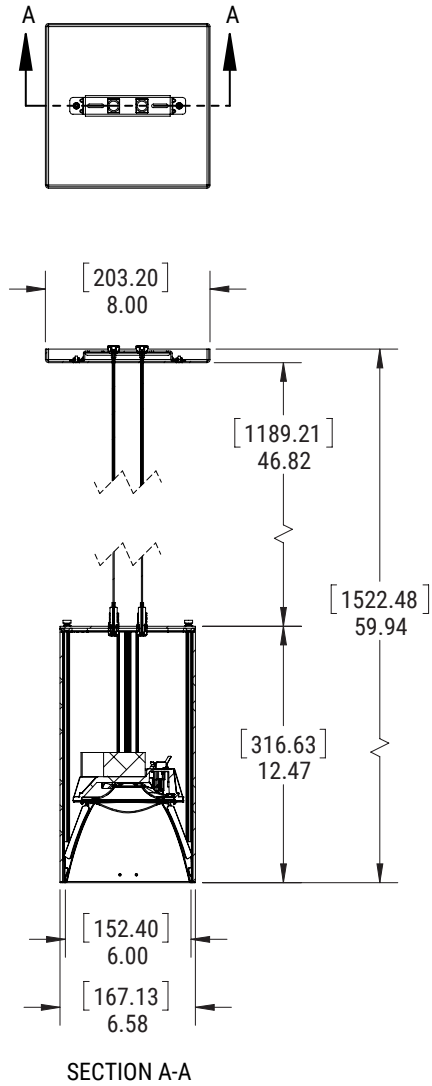
**6IN ROUND CYLINDER
POWER CORD PENDANT DRIVER**



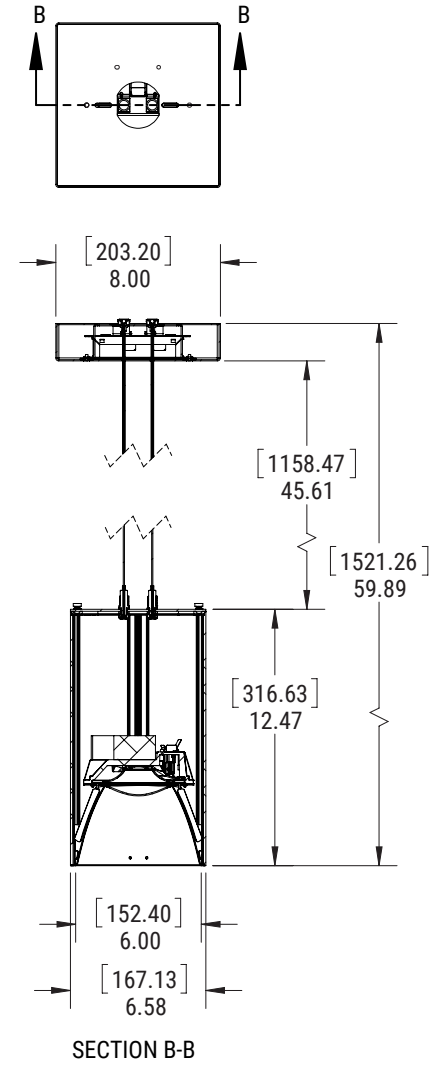
SECTION D-D

Dimensional and Mounting Details

**6IN SQUARE CYLINDER
STANDARD POWER CORD UP DOWN PENDANT**

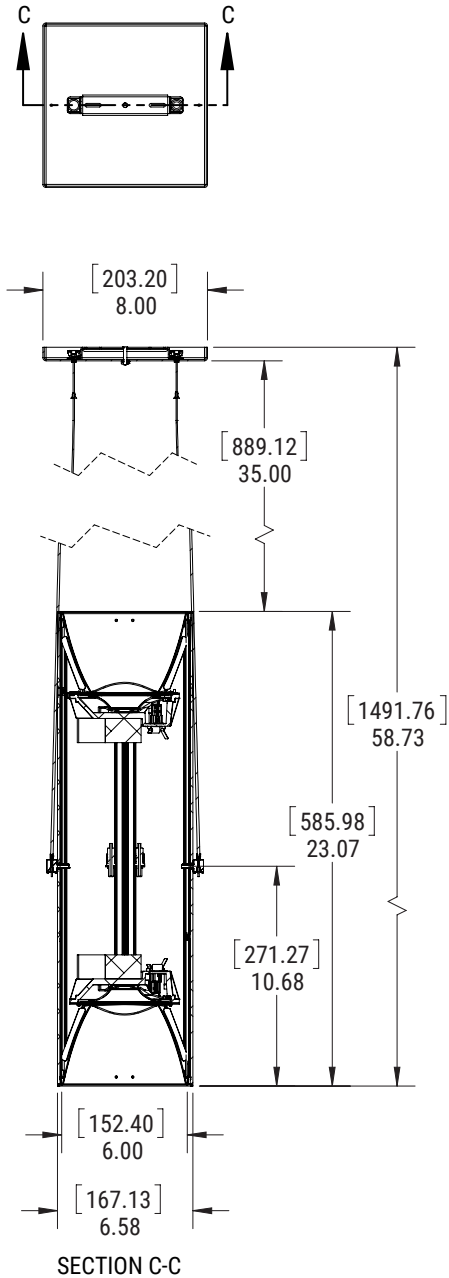


**6IN SQUARE CYLINDER
STANDARD POWER CORD UP DOWN PENDANT DRIVER**

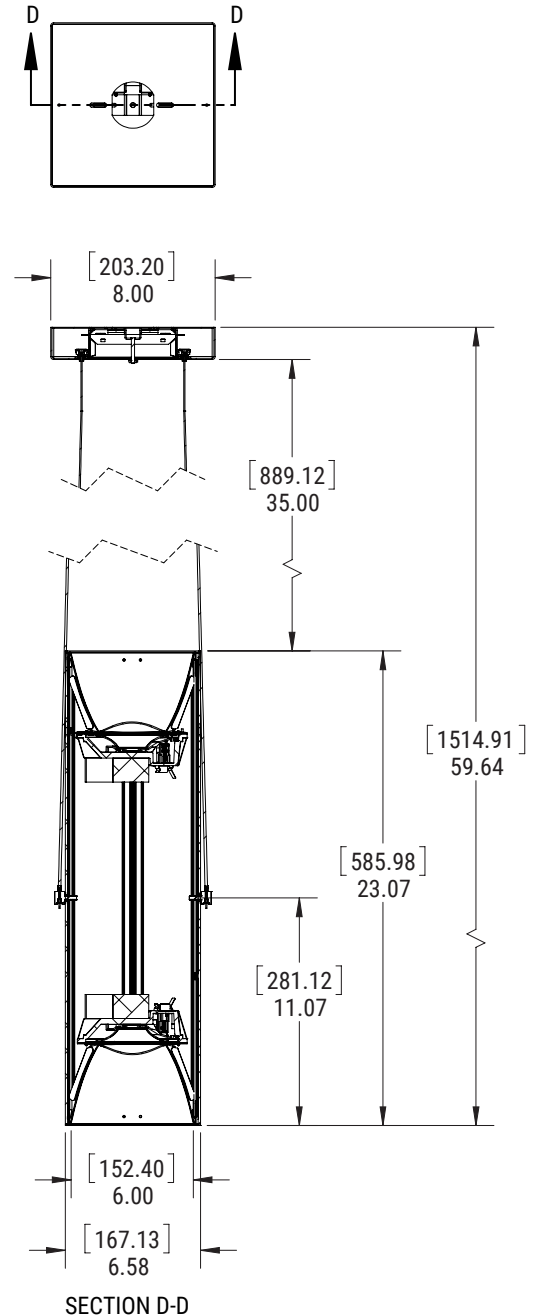


Dimensional and Mounting Details

**6IN SQUARE CYLINDER
POWER CORD PENDANT**



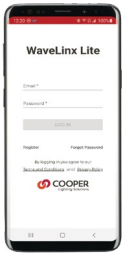
**6IN SQUARE CYLINDER
POWER CORD PENDANT DRIVER**



Connected Systems

WaveLinx LITE - WLST Tilemount Sensor

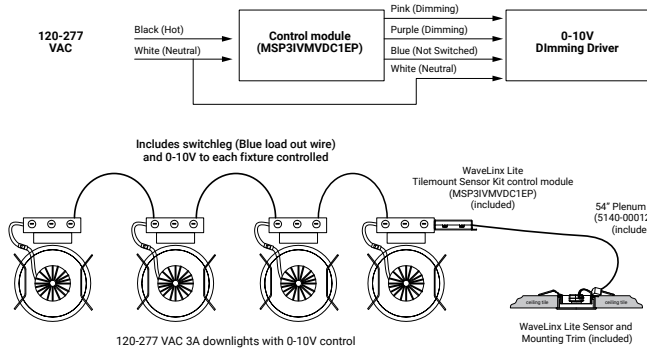
WaveLinx LITE devices only compatible with the WaveLinx LITE system.



- Intuitive Android™ or Apple® iOS® app for basic system code compliant set up and configuration via Bluetooth
- Up to 28 unique areas per project site (WaveLinx LITE Bluetooth network)
- Up to 50 devices for an area, any one of 16 control zones, up to 6 occupancy sets, and custom lighting scenes
- Automatic occupancy or vacancy, sensor sensitivity, daylight dimming, etc. configurable through the app
- Refer to the WaveLinx system specifications for details



WaveLinx LITE WLST Tilemount Wiring Diagram



WaveLinx LITE Bluetooth Enabled System



WaveLinx PRO Wireless – WPST Tilemount Sensor

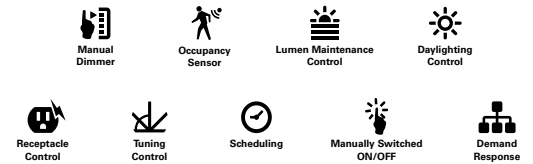
WaveLinx PRO devices only compatible with the WaveLinx PRO system.



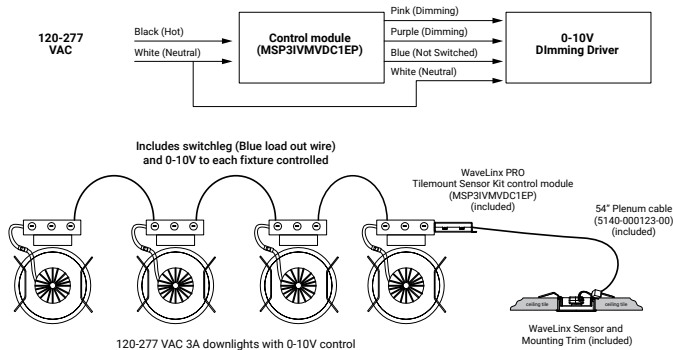
- WaveLinx PRO Wireless functionality configures zones and customizes settings from one secure mobile app
- Automatic code commissioning that meets the strictest codes
- Fixtures and sensors integrate with Wireless Area Controller, Wall Stations, and Control Devices
- Stand-Alone Offices or Entire Building Network Installations



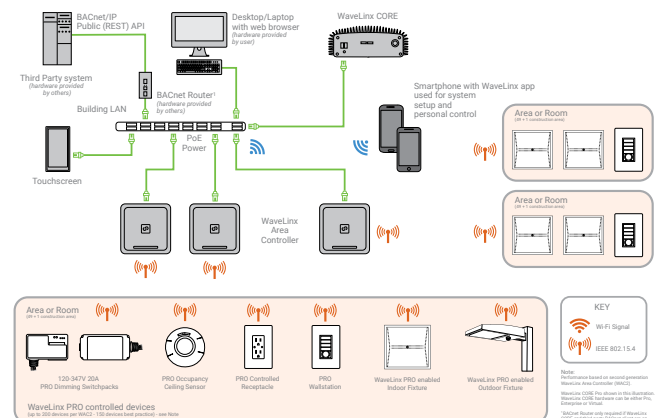
WaveLinx mobile app settings



WaveLinx PRO WPST Tilemount Wiring Diagram



WaveLinx CORE Building Management Integration



Connected Solutions



WaveLinx LITE Wireless Node - WLN

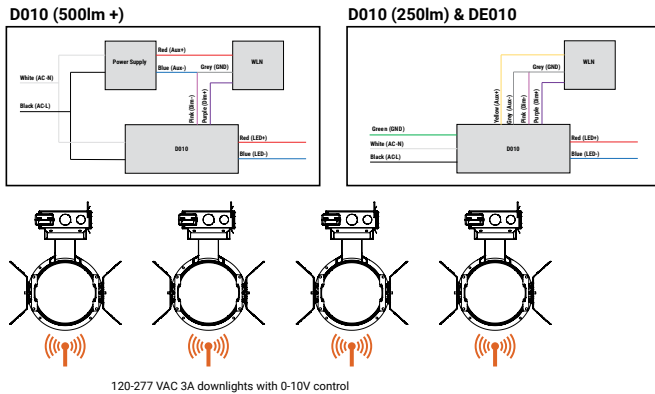
WaveLinx LITE devices only compatible with the WaveLinx LITE system.

- Intuitive Android™ or Apple® iOS® app for basic system code compliant set up and configuration via Bluetooth
- Up to 28 unique areas per project site (WaveLinx LITE Bluetooth network)
- Up to 50 devices for an area, any one of 16 control zones, up to 6 occupancy sets, and custom lighting scenes
- Refer to the WaveLinx system specifications for details
- Not available with BioUp or Tunable White

WaveLinx mobile app settings



WaveLinx LITE Wireless Node (WLN) Wiring Diagram



WaveLinx LITE Bluetooth Enabled System



WaveLinx PRO Wireless Node - WPN

WaveLinx PRO devices only compatible with the WaveLinx PRO system.

- WaveLinx Wireless functionality configures zones and customizes settings from one secure mobile app
- Automatic code commissioning that meets the strictest codes
- Fixtures and sensors integrate with WaveLinx Area Controller, Wall Stations, and Control Devices
- Stand-Alone Offices or Entire Building Network Installations

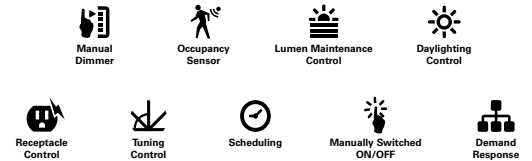
Downlights with wireless communication
Highly efficient LED fixtures

WaveLinx Area Controller
Provides centralized coordination of multiple area control options

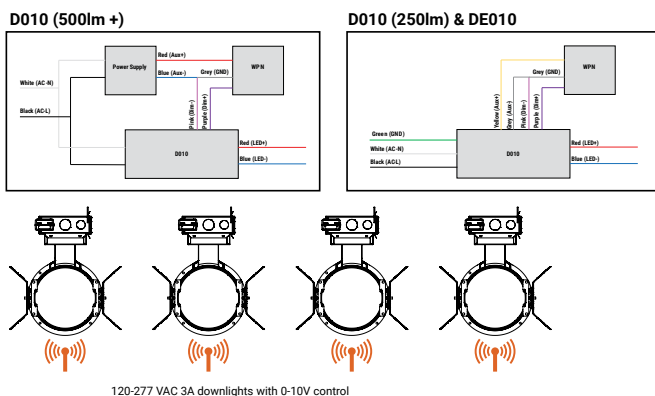
Wireless Wall Station/Receptacle
Provides customized wireless control of each area

Mobile Applications
Provides personalized, local control from a tablet or smartphone

WaveLinx mobile app settings



WaveLinx PRO Wireless Node (WPN) Wiring Diagram



WaveLinx CORE Building Management Integration

