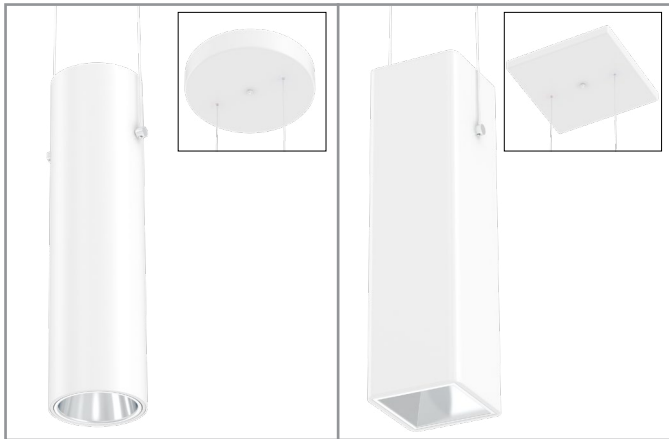


Project		Catalog #		Type	
Prepared by		Notes		Date	



Portfolio

LERPC4D/LESQPC4D LuxWire Cylinders

4" Round and Square Cylinder
with high center beam optics
LuxWire Power Over Cable
Dim-to-warm and 98 CRI Full Spectrum

Typical Applications

Office • Education • Healthcare • Hospitality • Retail • Residential

Interactive Menu

- Order Information [page 2](#)
- Product Specifications [page 4](#)
- Energy Data [page 5](#)
- Connected Systems [page 10](#)
- Product Warranty



Top Product Features

- 250 to 2500 lumens
- D2W™ option from 3000K to 1850K
- Full Spectrum: 98 CRI, 2400K, 2700K, 3000K, 3500K, 4000K and 5000K CCT
- Interchangeable optics in 5° increments from 25°-70°; Optional media holder accepts two lens media
- LuxWire™ provides low voltage power to the cylinder via aircraft cable
- Extruded aluminum housing; Matte Black, White, Bronze and Silver paint finishes
- Options to meet Trade Agreements Act requirements

Dimensional and Mounting Details - [page 6](#)

[additional product diagrams](#)

*T24 and RoHS are self-tested by Cooper Lighting Solutions. Not a third party certification.

Order Information

SAMPLE ORDER NUMBER: **LERPC4D10D2WD010TRP**

Domestic Preferences ⁽³⁰⁾	Cylinder	Lumens	Color Control	Driver	Remote	Finish ⁽¹⁰⁾	Factory Installed Connected Lighting Options ⁽³⁸⁾
<p>[Blank]=Standard BAA=Buy American Act TAA= Trade Agreements Act</p>	<p>LuxWire Aircraft Cable Up/Down ^{(25) (39) (42)} LESQUDPC4D = 4-inch up/down square, square opening LuxWire aircraft cable with power 120* ⁽³⁾ LESQRUDPC4D = 4-inch up/down square, round opening LuxWire aircraft cable with power 120* ⁽⁴⁾ LERUDPC4D = 4-inch up/down round LuxWire aircraft cable with power 120* ⁽⁴⁾</p> <p>LuxWire Aircraft Cable Ceiling Mount ⁽²⁵⁾ LESQPC4D = 4-inch square, square aperture surface mount LuxWire aircraft cable with power 120* ⁽¹⁾ LESQRPC4D = 4-inch square with round aperture surface mount LuxWire aircraft cable with power 120* ⁽²⁾ LERPC4D = 4-inch round surface mount LuxWire aircraft cable with power 120* ⁽²⁾</p>	<p>02=250 lumens 05=500 lumens 08=800 lumens 10=1000 lumens 15=1500 lumens 20=2000 lumens 25=2500 lumens</p>	<p>D2W=Dim to warm 800-2500 FS=Full spectrum (Thrive) 250-2500 lumens</p>	<p>D2W D010=0-10V Dimming, 1% to 100%, 120V-277V, 800-2500 lumens, Up/down 800-1500 lumens 3D010=0-10V Dimming, 1% to 100%, 347V, 800 to 2500 lumens, Up/down 800-1500 lumens D010TR=0-10V (120-277V) or line voltage (120V) dimming, 1% to 100%, 800-2500 lumens, Up/down 800-1500 lumens DE010=0-10V Linear Dimming, 0.1% to 100%, 120V-277V, 800-2500 lumens, Up/down 800-1500 lumens D5LT=Fifth Light® DALI DT6 Logarithmic Dimming, 0.1% to 100%,120V-277V, 800-2500 lumens, Up/down 800-1500 lumens DMX=DMX/RDM Logarithmic Dimming, 0.1% to 100%, 120V-277V, 800-2500 lumens, Up/down 800-1500 lumens ⁽⁵⁾ DMXC5=DMX/RDM Logarithmic Dimming, 0.1% to 100%, 120V-277V, with RJ45 connection, 800-2500 lumens, Up/down 800-1500 lumens ⁽⁵⁾ DLE=Lutron Ecosystem dimming 1% to 100%, 120-277V, 800-2500 lumens, Up/down 800-1500 lumens ⁽¹¹⁾ DLV=Low Voltage System, 800-2500 lumens, Up/down 800-1500 lumens</p> <p>Thrive D010=0-10V Dimming, 1% to 100%, 120V-277V, 500-2500 lumens, Up/down 500-1000 lumens 3D010=0-10V Dimming, 1% to 100%, 347V, 800 to 2500 lumens, Up/down 800-1000 lumens D010TR=0-10V (120-277V) or line voltage (120V) dimming, 1% to 100%, 250-2500 lumens, Up/down 250-1000 lumens DE010=0-10V Linear Dimming, 0.1% to 100%, 120V-277V, 500-2500 lumens, Up/down 500-1000 lumens D5LT=Fifth Light® DALI DT6 Logarithmic Dimming, 0.1% to 100%,120V-277V, 500-2500 lumens, Up/down 500-1000 lumens DMX=DMX/RDM Logarithmic Dimming, 0.1% to 100%, 120V-277V, 800-2500 lumens, Up/down 500-1000 lumens ⁽⁵⁾ DMXC5=DMX/RDM Logarithmic Dimming, 0.1% to 100%, 120V-277V, 800-2500 lumens, Up/down 500-1000 lumens with RJ45 connection ⁽⁵⁾ DLE=Lutron Ecosystem dimming 1% to 100%, 120-277V 800-2500 lumens, Up/down 500-1000 lumens ⁽¹¹⁾ DLV=Low Voltage System 800-1500 lumens, Up/down 500-1000 lumens</p>	<p>blank=Canopy mount driver (not available with DMX) R=Remote driver ⁽⁹⁾</p>	<p>P=White MB=Matte Black SL=Silver BZ=Bronze</p>	<p>WPN = WaveLinx PRO Wireless Node without sensor ^{(14) (39)} WLN = WaveLinx LITE Wireless Node without sensor ^{(14) (40)}</p>

SAMPLE ORDER NUMBER: **EC4D08259030D2W**

Domestic Preferences ⁽³⁰⁾	Power Module	Optics	Lumen Levels ⁽¹⁵⁾	CRI / CCT	Media
<p>[Blank]=Standard BAA=Buy American Act TAA= Trade Agreements Act</p>	<p>EC4D=4-inch Universal LED Module</p>	<p>X=No optic order separately R25=25° R30=30° R35=35° R40=40° R45=45° R50=50° R55=55° R60=60° R65=65° R70=70°</p>	<p>98 CRI THRIVE LED 0208=250, 500 and 800 lumens 98 CRI (For use with all drivers, min 500 lumens with DE010 and D5LT, min 800 lumens with DLVP, Lutron and DMX) 1025=1000, 1500, 2000, AND 2500 lumens 98 CRI (DLVP limited to 2000 lumens)</p> <p>Dim 2 Warm 08259030D2W=800-2500 lumen, 90 CRI, Dim 2 Warm</p>	<p>9827=98 CRI, 2700K 9830=98 CRI, 3000K 9835=98 CRI, 3500K 9840=98 CRI, 4000K 9850=98 CRI, 5000K</p>	<p>Blank=Engine accepts optic only (preferred if media will not be used) 2M=Engine accepts up to 2 lenses or media (optic is recessed in engine)</p>

SAMPLE ORDER NUMBER: **4LBDP3LI**

Domestic Preferences ⁽³⁰⁾	Trim	Reflector ⁽¹⁵⁾	Finish
<p>[Blank]=Standard BAA=Buy American Act (S3 spun trim only)</p>	<p>4LB=4" LED</p>	<p>DP3=45° cutoff downlight ⁽¹³⁾ S3=Shallow downlight CS3=Cast shallow downlight</p> <p>Square (for use with LESQUDPC, LESQPC) SQW3= 45° cutoff Anodized Aluminum downlight ⁽¹³⁾ CSSQ3=Shallow Die Cast Aluminum</p>	<p>LI=Specular Clear ⁽¹⁷⁾ H=Semi-Specular Clear ⁽¹⁷⁾ WMH=Warm Haze ⁽¹⁷⁾ WH=Wheat ⁽¹⁷⁾ GPH=Graphite Haze ⁽¹⁷⁾</p> <p>B=Specular Black ⁽¹⁷⁾ MW=Matte White ⁽¹⁸⁾ MB=Matte Black ⁽¹⁸⁾ MMS=Matte Metallic Silver ⁽¹⁹⁾</p>

continued on next page

Order Information

REQUIRED if Remote Driver (R) is specified on Cylinder

Domestic Preferences ⁽⁹⁰⁾	Remote Drivers	Lumens	Color Control	Voltage
[Blank] =Standard TAA = Trade Agreements Act	RD100 =Remote 100 ft RD75 = Remote 75 ft RD50 = Remote 50 ft RD25 = Remote 25 ft RD15 = Remote 15 ft RD5 = Remote 5 ft RD2 = Remote 2 ft	02 =250 lumens 05 =500 lumens 08 =800 lumens 10 =1000 lumens 15 =1500 lumens 20 =2000 lumens 25 =2500 lumens	D2W =Dim to warm 800-2500 FS =Full spectrum (Thrive) 250-2500 lumens	D2W [Blank]=120-277V (up to 1500 lumens) 1=120V (2000-2500 lumens) 2=277V (2000-2500 lumens) 3=347V ⁽³⁴⁾ Full Spectrum [Blank] =120-277V (up to 1000 lumens) 1=120V (1500-2500 lumens) 2=277V (1500-2500 lumens) 3=347V ⁽³⁴⁾

Driver	
D2W Drivers D010 =0-10V Dimming, 1% to 100%, 120V-277V, 800-1500 lumens, 1D010 =0-10V Dimming, 1% to 100%, 120V, 2000 to 2500 lumens, Up/down 800 to 2500 lumens 2D010 =0-10V Dimming, 1% to 100%, 277V, 2000 to 2500 lumens, Up/down 800 to 2500 lumens 3D010 =0-10V Dimming, 1% to 100%, 347V step down transformer, 800 to 2500 lumens, Up/down 800-2500 lumens D010TR =0-10V (120-277V) or line voltage (120V) dimming, 1% to 100% 800-1500 lumens 1D010TR = 0-10V or line voltage Dimming, 1% to 100%, 120V, 2000 to 2500 lumens, Up/down 800 to 1500 lumens 2D010TR = 0-10V or line voltage Dimming, 1% to 100%, 277V, 2000 to 2500 lumens, Up/down 800 to 1500 lumens 3D010TR = 0-10V Dimming, 1% to 100%, 347V step down transformer, 800 to 2500 lumens, Up/down 800-1500 lumens DE010 =0-10V Linear Dimming, 0.1% to 100%, 120V-277V, 800-1500 lumens 1DE010 =0-10V Dimming, 0.1% to 100%, 120V, 2000 to 2500 lumens, Up/down 800 to 2500 lumens 2DE010 =0-10V Dimming, 0.1% to 100%, 277V, 2000 to 2500 lumens, Up/down 800 to 2500 lumens 3DE010 =0-10V Dimming, 0.1% to 100%, 0-10V Dimming, 347V step down transformer, 800 to 2500 lumens, Up/down 800-2500 lumens D5LT =Fifth Light® DALI DT6 Logarithmic Dimming, 0.1% to 100%, 120V-277V, 800-1500 lumens 1D5LT =Fifth Light® DALI DT6 Logarithmic Dimming, 0.1% to 100%, 120V, 2000 to 2500 lumens, Up/down 800 to 2500 lumens 2D5LT =Fifth Light® DALI DT6 Logarithmic Dimming, 0.1% to 100%, 277V, 2000 to 2500 lumens, Up/down 800 to 2500 lumens 3D5LT =Fifth Light® DALI DT6 Logarithmic Dimming, 0.1% to 100% 347V step down transformer, 800 to 2500 lumens, Up/down 800-2500 lumens DMX =DMX/RDM Logarithmic Dimming, 0.1% to 100%, 120V-277V, 800-1500 lumens ⁽⁶⁾ 1DMX = DMX/RDM Logarithmic Dimming, 0.1% to 100%, 120V, 2000 to 2500 lumens, Up/down 800 to 1500 lumens ⁽⁶⁾ 2DMX =DMX/RDM Logarithmic Dimming, 0.1% to 100%, 277V, 2000 to 2500 lumens, Up/down 800 to 1500 lumens ⁽⁶⁾ 3DMX =DMX/RDM Logarithmic Dimming, 0.1% to 100%, 347V step down transformer, 1000-2500 lumens, Up/down 800 to 1500 lumens ⁽⁶⁾ DMXC5 =DMX/RDM Logarithmic Dimming, 0.1% to 100%, 120V-277V, with RJ45 connection, 800-1500 lumens ⁽⁶⁾ 1DMXC5 =DMX/RDM Logarithmic Dimming, 0.1% to 100%, 120V, 2000 to 2500 lumens, Up/down 800 to 1500 lumens ⁽⁶⁾ 2DMXC5 =DMX/RDM Logarithmic Dimming, 0.1% to 100%, 277V, 2000 to 2500 lumens, Up/down 800 to 1500 lumens ⁽⁶⁾ 3DMXC5 =DMX/RDM Logarithmic Dimming, 0.1% to 100%, 347V step down transformer, RJ45 Connection, 1000-2500 lumens, Up/down 800 to 1500 lumens ⁽⁶⁾ DLE =Lutron Ecosystem dimming 1% to 100%, 120-277V; 800-1500 lumens ⁽¹²⁾ 1DLE =Lutron Ecosystem dimming 1% to 100%, 120V, 2000 to 2500 lumens Up/down 800-1000 lumen ⁽¹²⁾ 2DLE =Lutron Ecosystem dimming 1% to 100%, 277V, 2000 to 2500 lumens Up/down 800-1000 lumen ⁽¹²⁾ 3DLE =Lutron Ecosystem dimming 1% to 100%, 347V step down transformer, 800-2500 lumens, Up/down 800-1000 lumen ⁽¹²⁾ DLV =Low Voltage System, 1000 lumens	Thrive Drivers D010 =0-10V Dimming, 1% to 100%, 120V-277V, 250-1000 lumens, Up/down 250 to 500 lumens 1D010 =0-10V Dimming, 1% to 100%, 120V, 1500 to 2500 lumens, Up/down 800 to 2500 lumens 2D010 =0-10V Dimming, 1% to 100%, 277V, 1500 to 2500 lumens, Up/down 800 to 2500 lumens 3D010 =0-10V Dimming, 1% to 100%, 347V step down transformer, 250 to 2500 lumens, Up/down 250-2500 lumens D010TR =0-10V (120-277V) or line voltage (120V) dimming, 1% to 100% 250-1000 lumens, Up/down 250 to 500 lumens 1D010TR = 0-10V or line voltage Dimming, 1% to 100%, 120V, 1500 to 2500 lumens, Up/down 800 to 1000 lumens 2D010TR = 0-10V or line voltage Dimming, 1% to 100%, 277V, 1500 to 2500 lumens, Up/down 800 to 1000 lumens 3D010TR = 0-10V Dimming, 1% to 100%, 347V step down transformer, 250 to 2500 lumens, Up/down 250-1000 lumens DE010 =0-10V Linear Dimming, 0.1% to 100%, 120V-277V, 500-1000 lumens, Up/down 500 lumens 1DE010 =0-10V Dimming, 0.1% to 100%, 120V, 1500 to 2500 lumens, Up/down 800 to 2500 lumens 2DE010 =0-10V Dimming, 0.1% to 100%, 277V, 1500 to 2500 lumens, Up/down 800 to 2500 lumens 3DE010 =0-10V Dimming, 0.1% to 100%, 0-10V Dimming, 347V step down transformer, 500 to 2500 lumens, Up/down 500-2500 lumens D5LT =Fifth Light® DALI DT6 Logarithmic Dimming, 0.1% to 100%, 120V-277V, 500-1000 lumens, Up/down 500 lumens. 1D5LT =Fifth Light® DALI DT6 Logarithmic Dimming, 0.1% to 100%, 120V, 1500 to 2500 lumens, Up/down 800 to 2500 lumens. 2D5LT =Fifth Light® DALI DT6 Logarithmic Dimming, 0.1% to 100%, 277V, 1500 to 2500 lumens, Up/down 800 to 2500 lumens. 3D5LT =Fifth Light® DALI DT6 Logarithmic Dimming, 0.1% to 100% 347V step down transformer, 500 to 2500 lumens, Up/down 500-2500 lumens. DMX =DMX/RDM Logarithmic Dimming, 0.1% to 100%, 120V-277V, 500-1000 lumens, Up/down 500 lumens ⁽⁶⁾ 1DMX =DMX/RDM Logarithmic Dimming, 0.1% to 100%, 120V, 1500 to 2500 lumens, Up/down 800 to 1000 lumens ⁽⁶⁾ 2DMX =DMX/RDM Logarithmic Dimming, 0.1% to 100%, 277V, 1500 to 2500 lumens, Up/down 800 to 1000 lumens ⁽⁶⁾ 3DMX =DMX/RDM Logarithmic Dimming, 0.1% to 100%, 347V step down transformer, 500-2500 lumens, Up/down 500 to 1000 lumens ⁽⁶⁾ DMXC5 =DMX/RDM Logarithmic Dimming, 0.1% to 100%, 120V-277V, with RJ45 connection, 500-1000 lumens, Up/down 500 lumens ⁽⁶⁾ 1DMXC5 =DMX/RDM Logarithmic Dimming, 0.1% to 100%, 120V, 1500 to 2500 lumens, Up/down 800 to 1000 lumens ⁽⁶⁾ 2DMXC5 =DMX/RDM Logarithmic Dimming, 0.1% to 100%, 277V, 1500 to 2500 lumens, Up/down 800 to 1000 lumens ⁽⁶⁾ 3DMXC5 =DMX/RDM Logarithmic Dimming, 0.1% to 100%, 347V step down transformer, RJ45 Connection, 500-2500 lumens, Up/down 500 to 1000 lumens ⁽⁶⁾ DLE =Lutron Ecosystem dimming 1% to 100%, 120-277V; 800-1000 lumens, Up/down 500 lumens ⁽¹²⁾ 1DLE =Lutron Ecosystem dimming 1% to 100%, 120V, 1500 to 2500 lumens, Up/down 800 to 1000 lumen ⁽¹²⁾ 2DLE =Lutron Ecosystem dimming 1% to 100%, 277V, 1500 to 2500 lumens, Up/down 800 to 1000 lumen ⁽¹²⁾ 3DLE =Lutron Ecosystem dimming 1% to 100%, 347V step down transformer, 500-2500 lumens, Up/down 500 to 1000 lumens ⁽¹²⁾

Options ^{(31) (33)}	Controls ^{(31) (33)}
EMB0D =Bodine® 7W Emergency Module with Remote Test Switch EMB0G6ST =Bodine® 6W Self Test Emergency Module with Remote Test Switch EM7 =7W Emergency Module with Remote Test Switch EM14 =14W Emergency Module with Remote Test Switch EMB0D7ST =Bodine® Self Test Emergency Module EMV7 =7W Low Voltage Emergency Module with Remote Test Switch ⁽²¹⁾ EMV14 =14W Low Voltage Emergency Module with Remote Test Switch ⁽²¹⁾ ETRD =Emergency transfer device ⁽²²⁾	WPST =Factory installed Wavelinx PRO (includes control module, sensor, cable, tile mount and ceiling mount sensor) ⁽¹⁴⁾⁽²⁸⁾ WLST =Factory installed WaveLinx LITE Sensor Kit ⁽¹⁴⁾⁽²⁷⁾ WPN = WaveLinx PRO Wireless Node without sensor ^{(14) (39)} WLN = WaveLinx LITE Wireless Node without sensor ^{(14) (40)}

Order Information

Accessories			
Optics	Color Filters ^{(41) (43)}	Dichronic Filters ^{(41) (43)}	Beam-Modifying Lenses ^{(41) (43)}
46R25 = 25°	F22-20=Red	F71-20=Peach	LSL-20=Linear Spread Lens
46R30 = 30°	F33-20=Blue	F72-20=Amber	OSL-20=Overall Spread Lens
46R35 = 35°	F44-20=Green	F73-20=Green	DIF-20=Diffused Lens
46R40 = 40°	F55-20=Yellow	F74-20=Medium Blue	Asymmetric Film ^{(41) (43)}
46R45 = 45°	F66-20=Mercury	F75-20=Yellow	46ASYMFILM=Asymmetric Film
46R50 = 50°		F76-20=Red	(see chart for distribution)
46R55 = 55°		F77-20=Dark Blue	Louvers ^{(41) (43)}
46R60 = 60°		F78-20=Light Blue	LVR-20=Hex Cell Louver
46R65 = 65°		F79-20=Neutral Density	
46R70 = 70°		F80-20=Magenta	

Notes

1. Square reflector
2. Round reflector
3. Square reflector, requires two reflectors and light engines
4. Round reflector, requires two reflectors and light engines
5. 347V integral D010 only. 800-3500 lumens for integral driver. 250-3500 lumens for remote driver.
6. DMX fixtures default to full on upon loss of DMX signal
9. Order remote driver separately. See below to order.
10. Consult factory for custom finishes.
12. Only available up to 25 ft.
13. Not available with up/down
14. Refer to system specifications for additional information, features, and benefits. Order either factory installed option or accessory. Use with 0-10V driver. WPN and WLN are factory installed only. Factory installed only when using with remote driver. Specify on remote driver assembly.
15. Nominal Lumens will vary depending on selected color.
17. Not available on CS distributions
18. Available with CS distributions

21. ULus listed only
25. Canopy mount driver available for all drivers except DMX, omit R in ordering information
27. WLST = WaveLinX Lite tile mount sensor kit for daylight dimming, PIR motion sensing, use with D010 only (Refer to WaveLinX Lite system specifications)
28. WPST = WaveLinX wireless sensor kit for daylight dimming, PIR motion sensing, and optional RLTS - Real Time Location Services, use with 0-10V only
30. To order product that is compliant with the Buy American Act of 1933 (BAA) or Trade Agreements Act (TAA), use the online specification configurator to specify BAA or TAA. Please refer to [DOMESTIC PREFERENCES LINK](#) for more information. Components shipped separately may be separately analyzed under domestic preference requirements. Accessories sold separately will be separately analyzed under domestic preference requirements.
31. 120V-277V
32. Used to bypass local control during outage. Must be used in conjunction with UL 1008 device (provided by others).
33. Non-IC

34. D010 800 to 2500 lumens. All other drivers use step down transformer.
35. Use with remote driver.
38. Use with canopy mount.
39. WPN = WaveLinX PRO wireless node provides luminaire-level control with scene and zone configuration without an integrated sensor; Connects wirelessly with daylight dimming sensor and PIR motion sensor if desired. Use with 0-10V driver only.
40. WLN = WaveLinX LITE wireless node provides luminaire-level control with scene and zone configuration without an integrated sensor; Connects wirelessly with daylight dimming sensor and PIR motion sensor if desired. Use with 0-10V driver only.
41. Not Available with D2W
42. D2W up/down limited to 1500 lumen
43. Requires 2M designation on light engine.

Product Specifications

Lower Reflector

- Painted die-cast aluminum or spun aluminum reflector provides superior lumen output with minimal source brightness
- Square surface mount available with square or round reflectors
- Spun reflectors are available in all Portfolio finishes
- Upper portion of specular clear and wheat finish, 45° (DP) reflector is painted black to ensure a quiet appearance without image reflection

Optic

- Interchangeable silicone optic in 5° increments from 25°-70° providing smooth beam without color separation
- Available media holder fits onto optic holder and holds up to two lens media

Trim retention

- Two torsion springs hold flange tightly to the cylinder lip

Cylinder

- Round and soft square extruded aluminum
- Matte white, bronze, silver or matte black. Contact factory for custom finishes.
- Available in standard and shallow heights

Mounting

- LuxWire™ provides low voltage power to the cylinder via aircraft cable
- Mounting plate installs to mounted junction box
- Conduit canopy allows for mounting pendant and surface cylinder on hard ceilings provided in painted finish to match the cylinder accommodates ½" or ¾" conduit.

Thermal

- Aluminum heat sink conducts heat away from the LED module for optical performance and longer life

LED System

- Auto resetting, thermally protected, LED's are turned off when safe operating temperatures are exceeded
- Quick disconnect allows for tool-less replacement of LED engine from below ceiling

Vividtune

- D2W™ - dim-to-warm shifts CCT from 3000K to 1850K as fixture dims mimicking halogen sources.
- 98 CRI: L70 55,000 hours
- **98 CRI** With a full-spectrum approach using broad-blue chip technology and special phosphor blends, Thrive is able to closely match the spectrum of the sun across all color temperatures. Benefits of the natural spectrum of the sun using Thrive include superior accurate color rendering, reduced eye strain, and a higher sense of emotional well-being.

Driver

- Standard 120-277V 0-10V dimming driver provides flicker-free dimming from 100% to 1%
- Optional 120V leading edge, <1% 0-10V, Fifth Light, DMX or Lutron®
- Remote driver option up to 100' based on driver selection
- Distributed low voltage power system combines power, lighting, and controls with ease of installation.

Emergency Option

- Provides 90 minutes of standby lighting, meeting most life safety codes for egress lighting
- Available Self-Test (self-diagnostic) with remote charge indicator and test switch
- Emergency Transfer Relay Device bypasses local control during a power outage
- UL 924 listed

Connected Lighting System

Two WaveLinX connected solutions to choose from. Refer to WaveLinX system specifications and application guides for details.

[WaveLinX PRO Tilemount Sensor Kit](#)

- WaveLinX PRO WPST tilemount sensor kit offers daylight dimming, PIR motion sensing, scene and zone configuration, automatic commissioning; and optional RLTS - Real Time Location Services available.

[WaveLinX PRO Wireless Node](#)

- WaveLinX PRO WPN wireless node provides luminaire-level control with scene and zone configuration without an integrated sensor; Connects wirelessly with daylight dimming sensor and PIR motion sensor if desired. Use with 0-10V driver only. **Note:** Not compatible with 347V or Chicago plenum.

[WaveLinX LITE Tilemount Sensor Kit](#)

- WaveLinX LITE WLST tilemount sensor kit offers daylight dimming and PIR motion sensing, scene and grouping configuration.

[WaveLinX LITE Wireless Node](#)

- WaveLinX LITE WLN wireless node provides luminaire level control with scene and zone configuration without an integrated sensor; Connects wirelessly with daylight dimming sensor and PIR motion sensor if desired. Use with 0-10V driver only. **Note:** Not compatible with 347V or Chicago plenum.

[WaveLinX Tilemount Sensor Kits Application](#)

- The WPST and WLST tilemount sensor kits include a control module mounted on the luminaire junction box via 1/2" knock-out, and a tilemount sensor on 54-inch whip; for ceiling installation by direct-mount spring clips or via mounting bracket in octagon ceiling boxes.
- The WPST and WLST tilemount sensor kits may be ordered as factory installed on the luminaire, or ordered separately as a field installed accessory kit.
- **Note: WaveLinX PRO devices are only compatible with the WaveLinX PRO system.**
- **Note: WaveLinX LITE devices are only compatible with the WaveLinX LITE system.**

Compliance

- cULus Certified to UL 1598 / Canada C22.2 No. 250.0
- EMI/RFI emissions per FCC 47CFR Part 18 Class B consumer limits
- RoHS compliant
- Photometric testing completed in accordance with IES LM-79
- LED life testing completed in accordance with IES LM-80 standards

Warranty

- Five year warranty www.cooperlighting.com/legal

Energy and Performance Data

D010 DRIVER ENERGY DATA

Series	250 Lumen		500 Lumen		750 Lumen		1000 Lumen		1500 Lumen		2000 Lumen	
Input Voltage 120-277 VAC	120	277	120	277	120	277	120	277	120	277	120	277
Input Current (A)	0.029	0.017	0.054	0.027	0.065	0.031	0.09	0.045	0.129	0.057	0.194	0.086
Input Power (W)	3.4	3.9	6.5	6.9	7.7	8.1	10.7	11.1	15.5	15.4	23.2	23.1
In-rush (A)	2.1	9.15	2.1	9	2.1	9	2.1	9.1	2.1	9.3		11.1
Inrush duration	250	127	254	128	249	142	255	153	255	236	246	115
THDi (%)	8.2	19.9	7.8	14	8.1	11.2	6.6	9.7	11.5	6.6	9.1	11.1
PF	0.99	0.83	0.99	0.91	0.99	0.93	1.0	0.97	0.99	0.98	0.97	0.97

Series	2500 Lumen	
Input Voltage 120-277 VAC	120	277
Input Current (A)	0.23	0.103
Input Power (W)	27.5	276
In-rush (A)	2.6	12.5
Inrush duration	231	197
THDi (%)	7.6	8.8
PF	1.0	0.97

Minimum starting temperature -30°C (-22°F)*
(Nominal input 120-277VAC & 100% of rated output power)

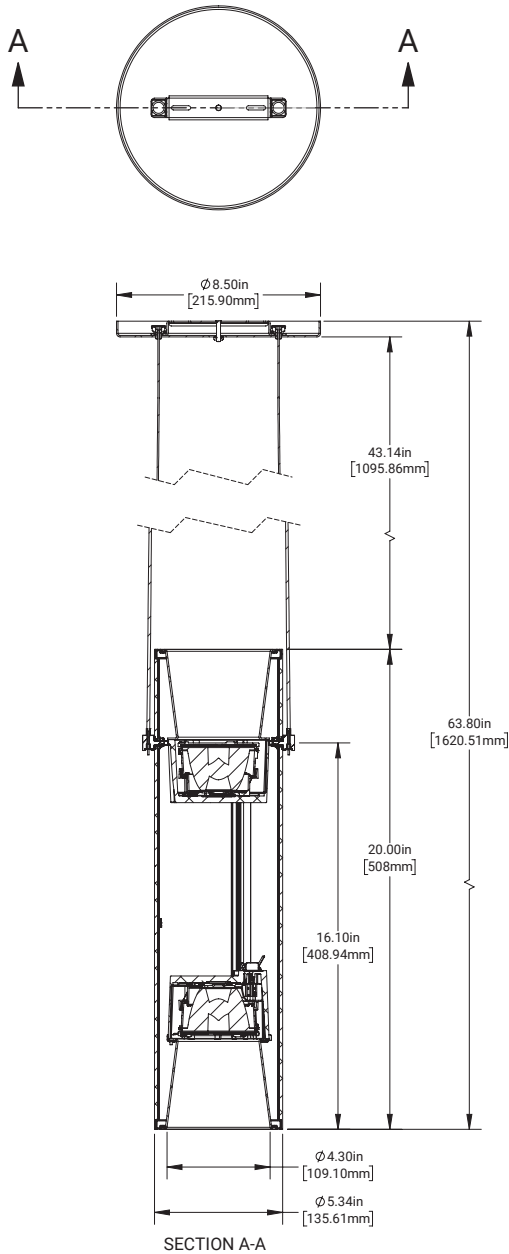
Sound Rating: Class A standards

Notes:
Emergency Battery packs are rated for a minimum starting temperature of 0°C.

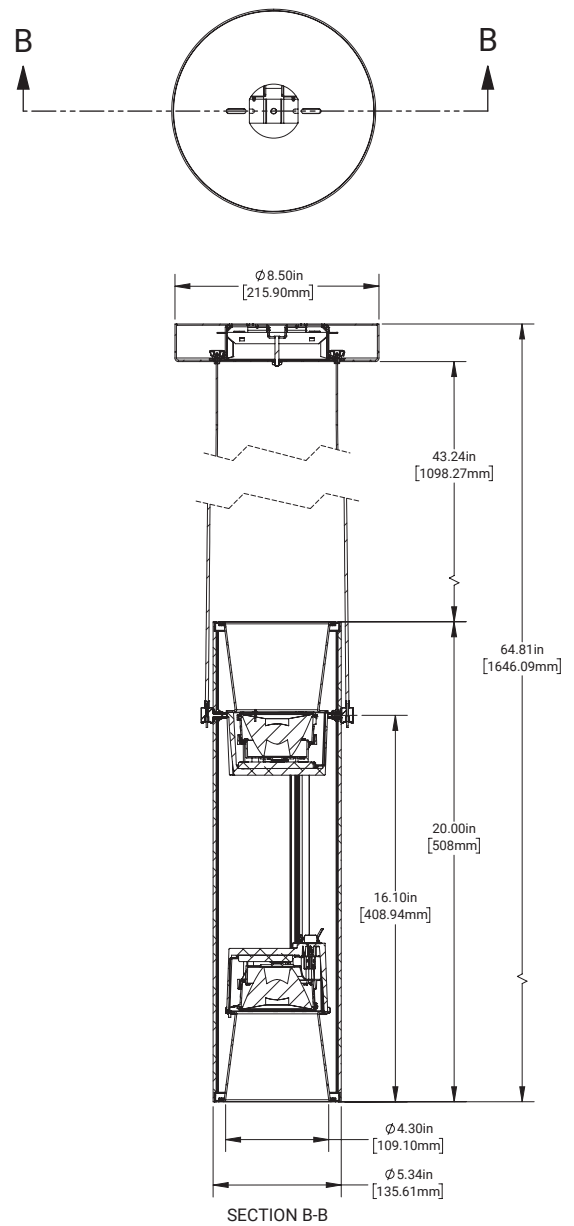
Asymmetric Film Distribution

TIR	Short Axis Beam angle	Long Axis Beam angle
R10	12°	27.4°
R15	15°	28°
R20	21°	32°
R30	32°	37°
R35	32°	40°
R40	28°	37°
R45	41°	45°
R50	42°	46°

Dimensional and Mounting Details

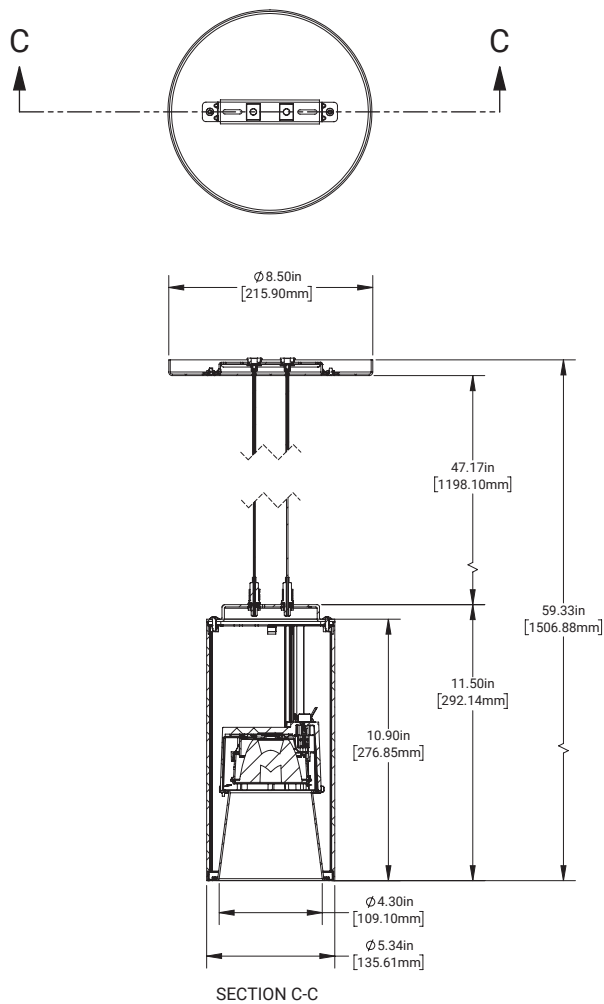


4IN ROUND CYLINDER POWER CORD
UP DOWN PENDANT-LL-45D

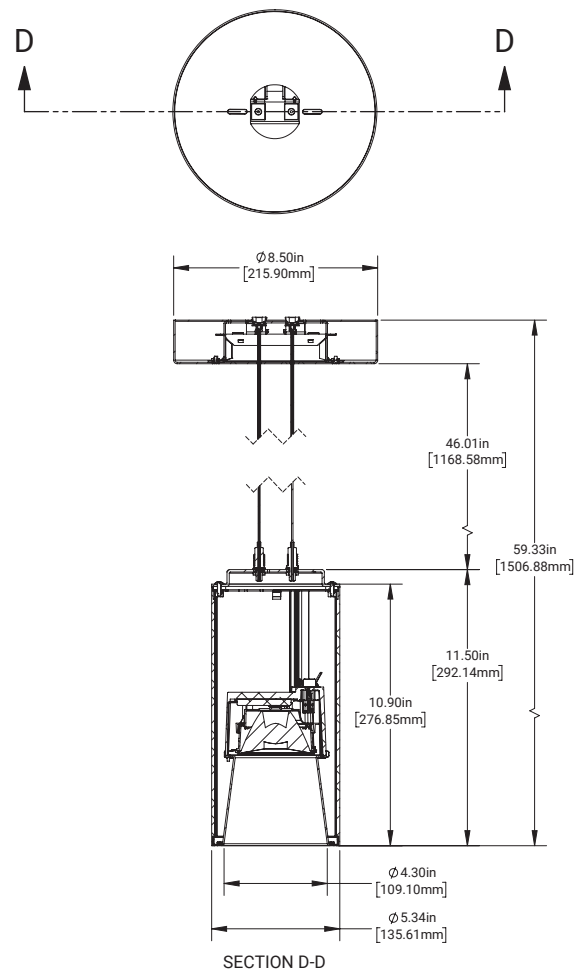


4IN ROUND CYLINDER POWER CORD
UP DOWN PENDANT DRIVER-LL-45D

Dimensional and Mounting Details

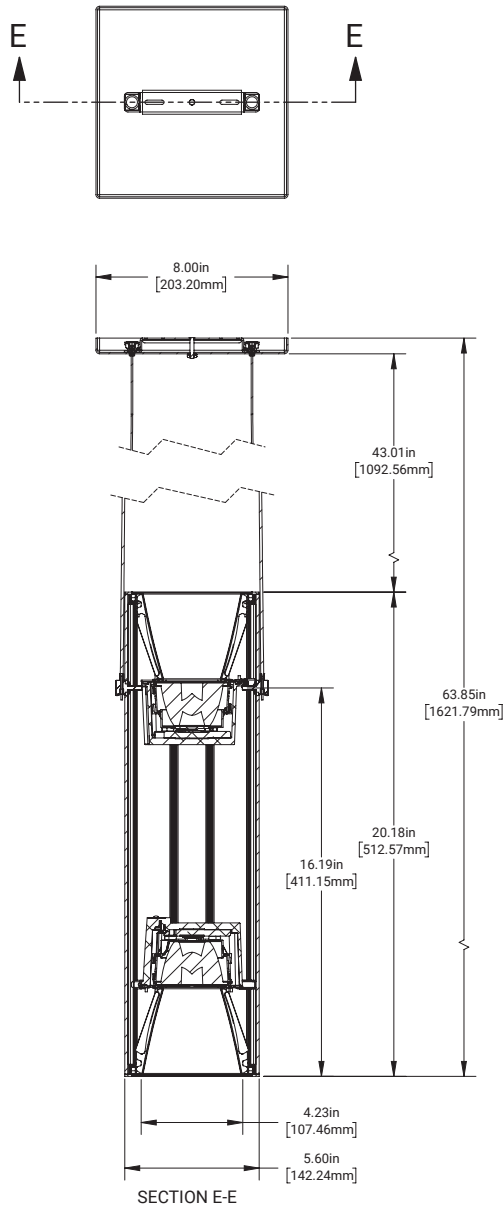


4IN ROUND CYLINDER POWER CORD
PENDANT-HL-45D

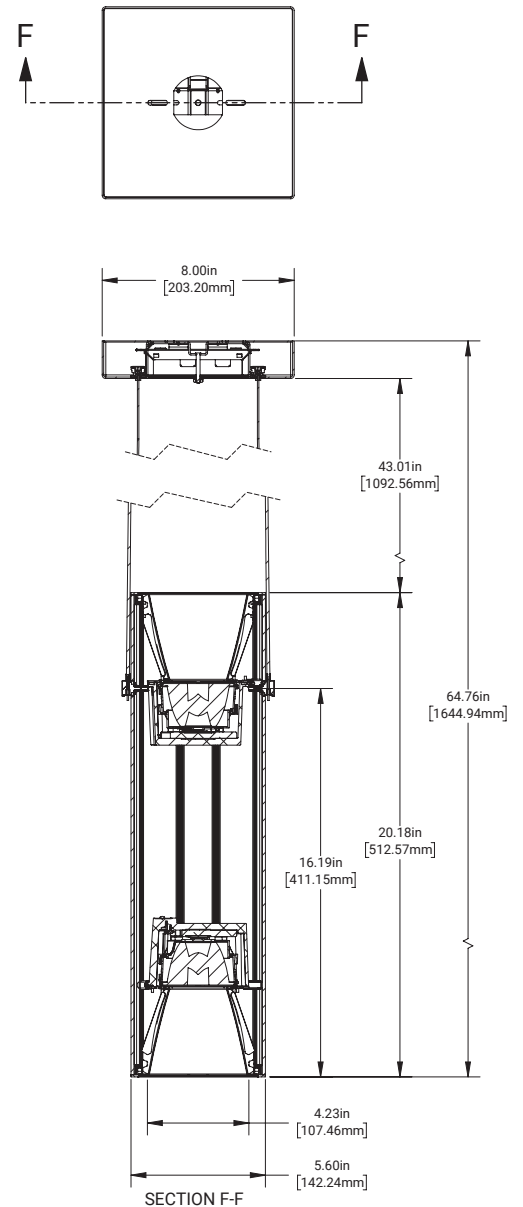


4IN ROUND CYLINDER POWER CORD
PENDANT DRIVER-LL-45D

Dimensional and Mounting Details

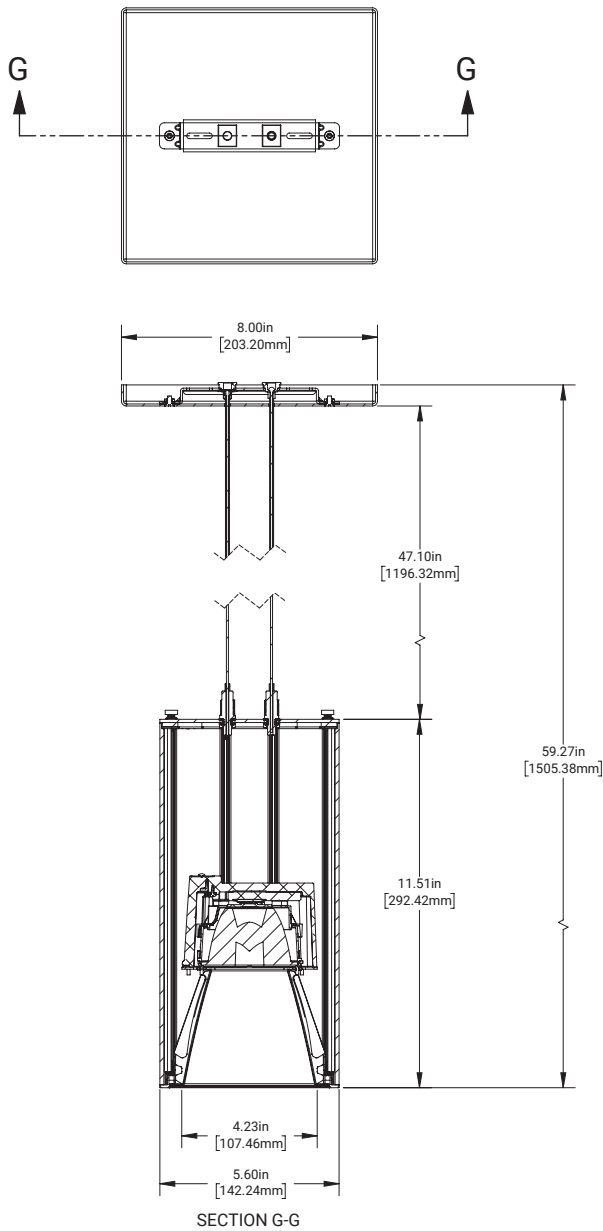


4IN SQUARE CYLINDER STANDARD POWER CORD
UP DOWN PENDANT

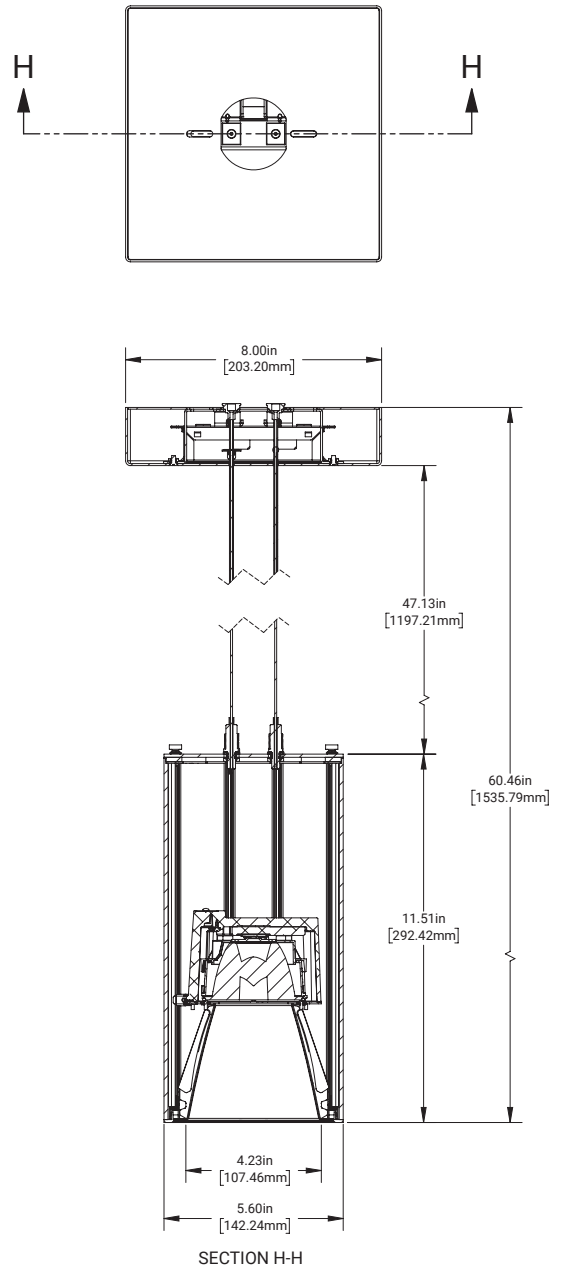


4IN SQUARE CYLINDER STANDARD POWER CORD
UP DOWN PENDANT DRIVE

Dimensional and Mounting Details



4IN SQUARE CYLINDER
POWER CORD PENDANT

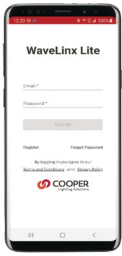


4IN SQUARE CYLINDER
POWER CORD PENDANT DRIVER

Connected Systems

WaveLinx LITE - WLST Tilemount Sensor

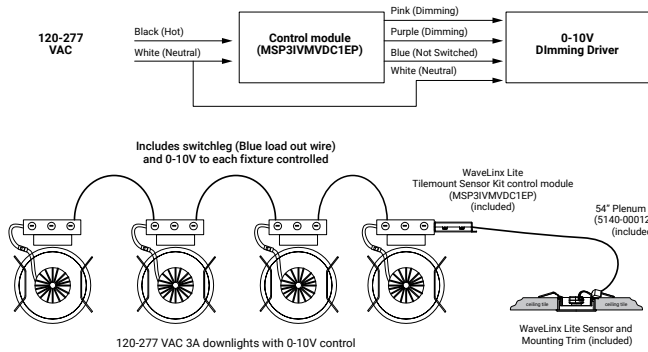
WaveLinx LITE devices only compatible with the WaveLinx LITE system.



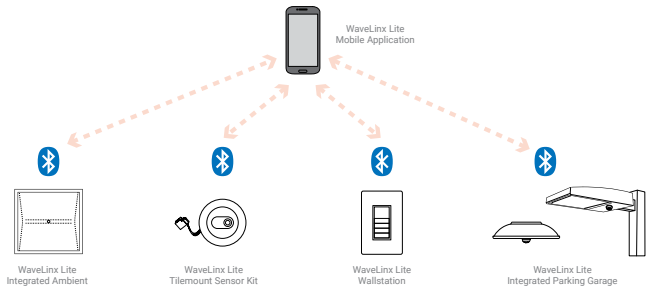
- Intuitive Android™ or Apple® iOS® app for basic system code compliant set up and configuration via Bluetooth
- Up to 28 unique areas per project site (WaveLinx LITE Bluetooth network)
- Up to 50 devices for an area, any one of 16 control zones, up to 6 occupancy sets, and custom lighting scenes
- Automatic occupancy or vacancy, sensor sensitivity, daylight dimming, etc. configurable through the app
- Refer to the WaveLinx system specifications for details



WaveLinx LITE WLST Tilemount Wiring Diagram



WaveLinx LITE Bluetooth Enabled System



WaveLinx PRO Wireless – WPST Tilemount Sensor

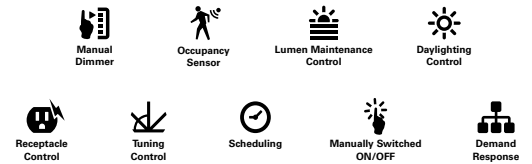
WaveLinx PRO devices only compatible with the WaveLinx PRO system.



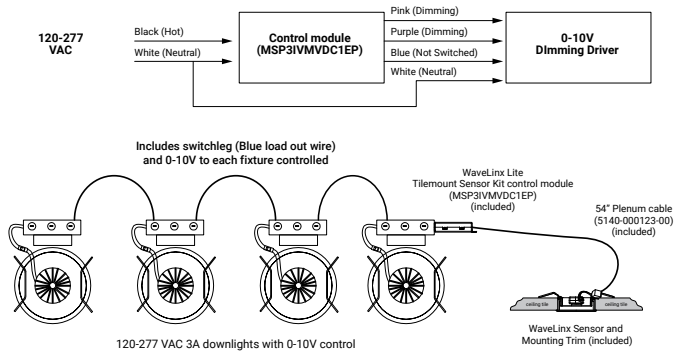
- WaveLinx PRO Wireless functionality configures zones and customizes settings from one secure mobile app
- Automatic code commissioning that meets the strictest codes
- Fixtures and sensors integrate with Wireless Area Controller, Wall Stations, and Control Devices
- Stand-Alone Offices or Entire Building Network Installations



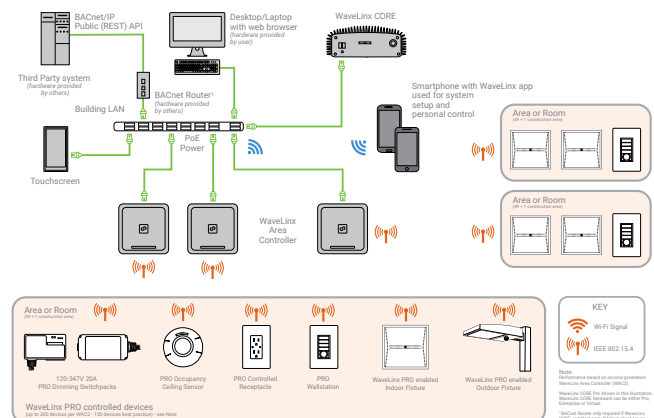
WaveLinx mobile app settings



WaveLinx PRO WPST Tilemount Wiring Diagram



WaveLinx CORE Building Management Integration



Connected Solutions



WaveLinX LITE Wireless Node - WLN

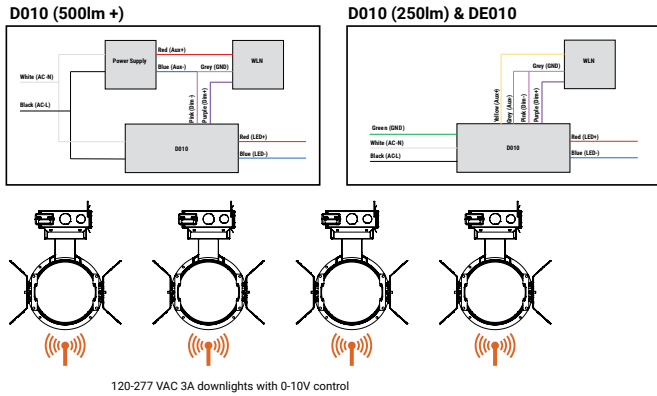
WaveLinX LITE devices only compatible with the WaveLinX LITE system.

- Intuitive Android™ or Apple® iOS® app for basic system code compliant set up and configuration via Bluetooth
- Up to 28 unique areas per project site (WaveLinX LITE Bluetooth network)
- Up to 50 devices for an area, any one of 16 control zones, up to 6 occupancy sets, and custom lighting scenes
- Refer to the WaveLinX system specifications for details
- **Not available with BioUp or Tunable White**

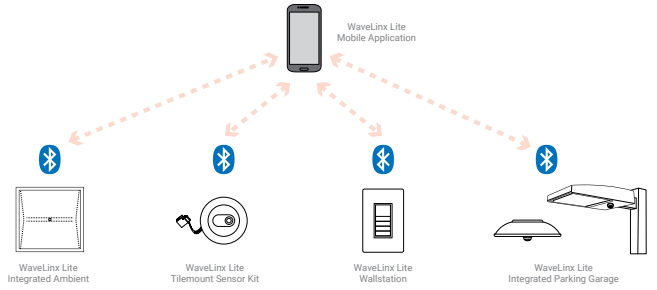
WaveLinX mobile app settings



WaveLinX LITE Wireless Node (WLN) Wiring Diagram



WaveLinX LITE Bluetooth Enabled System



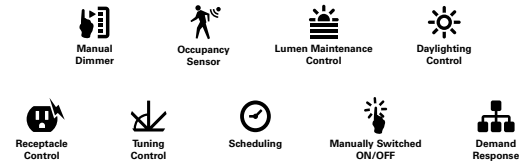
WaveLinX PRO Wireless Node - WPN

WaveLinX PRO devices only compatible with the WaveLinX PRO system.

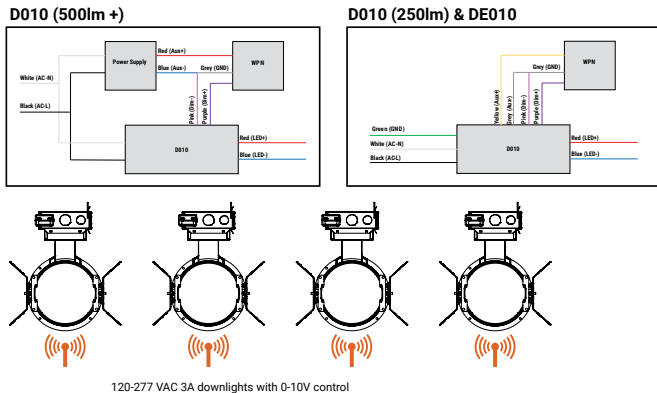
- WaveLinX Wireless functionality configures zones and customizes settings from one secure mobile app
- Automatic code commissioning that meets the strictest codes
- Fixtures and sensors integrate with WaveLinX Area Controller, Wall Stations, and Control Devices
- Stand-Alone Offices or Entire Building Network Installations



WaveLinX mobile app settings



WaveLinX PRO Wireless Node (WPN) Wiring Diagram



WaveLinX CORE Building Management Integration

