

Project		Catalog #		Type	
Prepared by		Notes		Date	



NeoRay

Define Pivot Hub

Accessory to Define Suspended Direct, Indirect, and Direct + Indirect

Typical Applications

Education • Healthcare • Hospitality • Retail • Transit • Office

Interactive Menu

- [Catalog Logic Information](#) page 2
- [Compatibility](#) page 2
- [Product Warranty](#) page 4

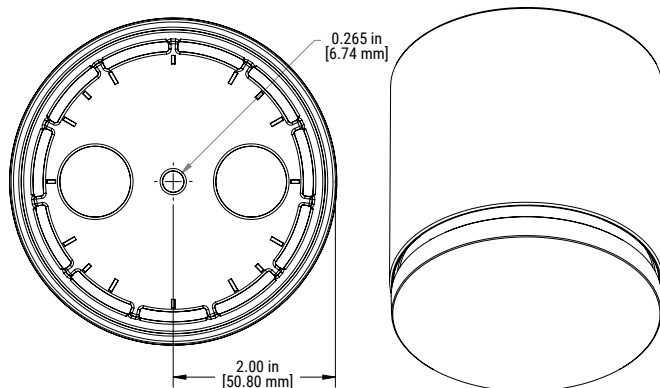


Top Product Features

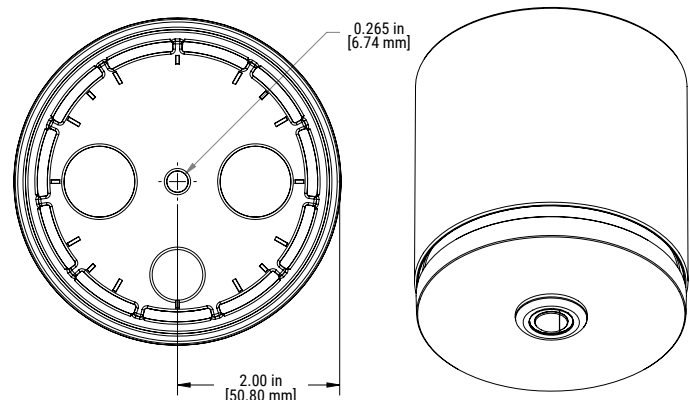
- Compact 4in Diameter
- Compatible with 2in, 3in, and 4in Define
- Adjustable Connection Points
- Single Mounting Cable
- Line Voltage Power Drop
- Snap-In Hub Cap w/ Sensor Mount Option

Dimensions

Define Pivot Hub



Define Pivot Hub w/ Sensor



Catalog Logic Information

NOTE: Define patterns with the Define Pivot Hub are ordered utilizing the Define order logic with "-H" added at the end.

EXAMPLE ORDER LOGIC NUMBER: **S122DIP-C675D725U935-C4T179F0-1-UDD-F4-W-H**

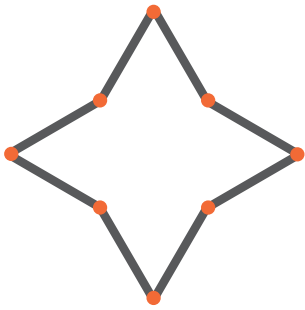
Define patterns with the Define Pivot Hub may be ordered via the Pattern Configuration Tool or contact the factory for assistance.

Body				Electrical	
Series Name	Luminaire Series Compatibility	Luminaire Distribution Compatibility	Luminaire Location Compatibility	Controls	Power Drops
H12 = Define Pivot Hub	2 = Define 2 (2in Aperture) 3 = Define 3 (3in Aperture) 4 = Define 4 (4in Aperture)	DI = Direct Only and Direct/Indirect I = Indirect Only	P = Pendant/Suspended	[Blank] = No Sensor WaveLinX Wireless WPS = WaveLinX Pro Integrated Sensor (Formerly WAA) WLS = WaveLinX Lite Integrated Sensor (Formerly WAB)	[Blank] = None P3 = Single 3-Wire P4 = Single 4-Wire P5 = Single 5-Wire P6 = Single 6-Wire P33 = Double 3-Wire P44 = Double 4-Wire P55 = Double 5-Wire P66 = Double 6-Wire
	Notes All Define branches must match in aperture for a flush install. Different apertures on the same Define Pivot Hub may be available as ETO (Engineered To Order).	Notes Define Pivot hub is available with all Define Lenses and Optics except Straight Blade Louvers (L) and Regressed Lens (R) for a flush install. Straight Blade Louvers (L) and Regressed Lens (R) may be available as ETO. For Indirect Only (I), all Define branches must be Indirect Only for a flush install; mixing Indirect Only with other distributions on the same Define Pivot Hub may be available as ETO.		Notes Patterns with Sensors available as ETO Sensor is in the hub. 1 fixture has the power pack. Sensor in hub is available with Single Circuit Only. Wiring through the Define Pivot Hub is only compatible with 1 of the following at the same time: Dual/Secondary Circuit OR Emergency Circuit OR Sensor OR VividTune OR UL924 Relay 9 Wire limitation through the hub endcap for each luminaire.	Notes

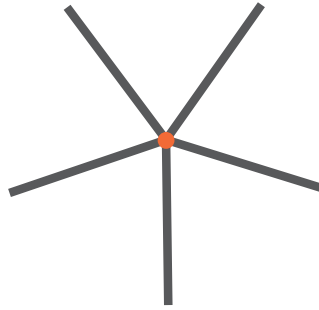
Options					Special Option
Hub Finish	Hub Cap Finish	Suspension Type	Ceiling Type	Mounting Hardware Color	Special Option
W = White S = Silver B = Black RR = Real Red OO = Oasis Orange YY = Yippee Yellow GG = Gracious Green CC = Cyprus Cyan TT = Totally Turquoise BB = Biosphere Blue PP = Perfect Purple VV = Vacation Violet MM = Magic Magenta C = Custom Color (RAL) CM = Custom Color (Match)	[Blank] = Matches Hub W = White S = Silver B = Black RR = Real Red OO = Oasis Orange YY = Yippee Yellow GG = Gracious Green CC = Cyprus Cyan TT = Totally Turquoise BB = Biosphere Blue PP = Perfect Purple VV = Vacation Violet MM = Magic Magenta C = Custom Color (RAL) CM = Custom Color (Match)	C4 = 4ft Aircraft Cable C10 = 10ft Aircraft Cable C20 = 20ft Aircraft Cable	T1 = 15/16in Flat T-Grid T9 = 9/16in Flat T-Grid TS = 9/16in Dimensional T-Grid (Slotted/Interlude) JB = Structure Only	W = White B = Black	
Notes Custom Colors (C and CM) are available as ETO The color of the Hub will match the Define pattern color by default.	Notes Custom Colors (C and CM) are available as ETO The color of the Hub will match the Define pattern color by default. [Blank] will provide the entire Hub and Hub Cap in the same Finish	Notes	Notes All T-Grid options (T1, T9, and TS) are compatible with Flat Lay-In Panels and Tegalur Panels. Dual Grid Clips are provided. Structure (JB) mount only (no direct to J-Box)	Notes	

Define Pattern Examples

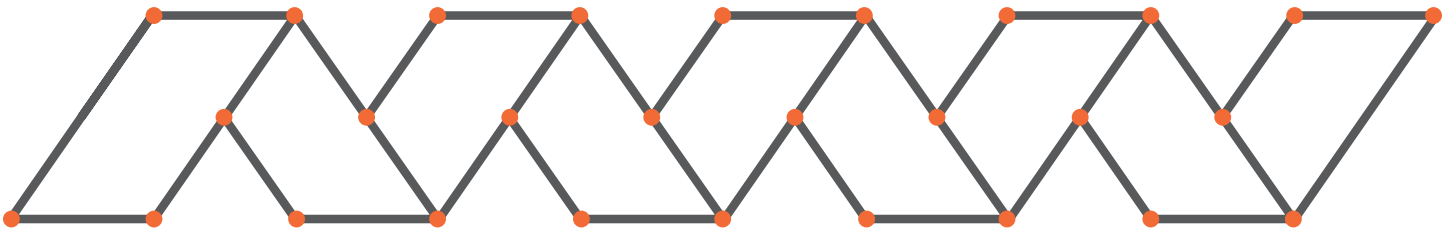
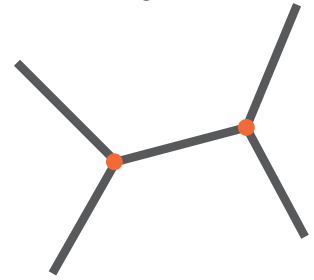
Shapes



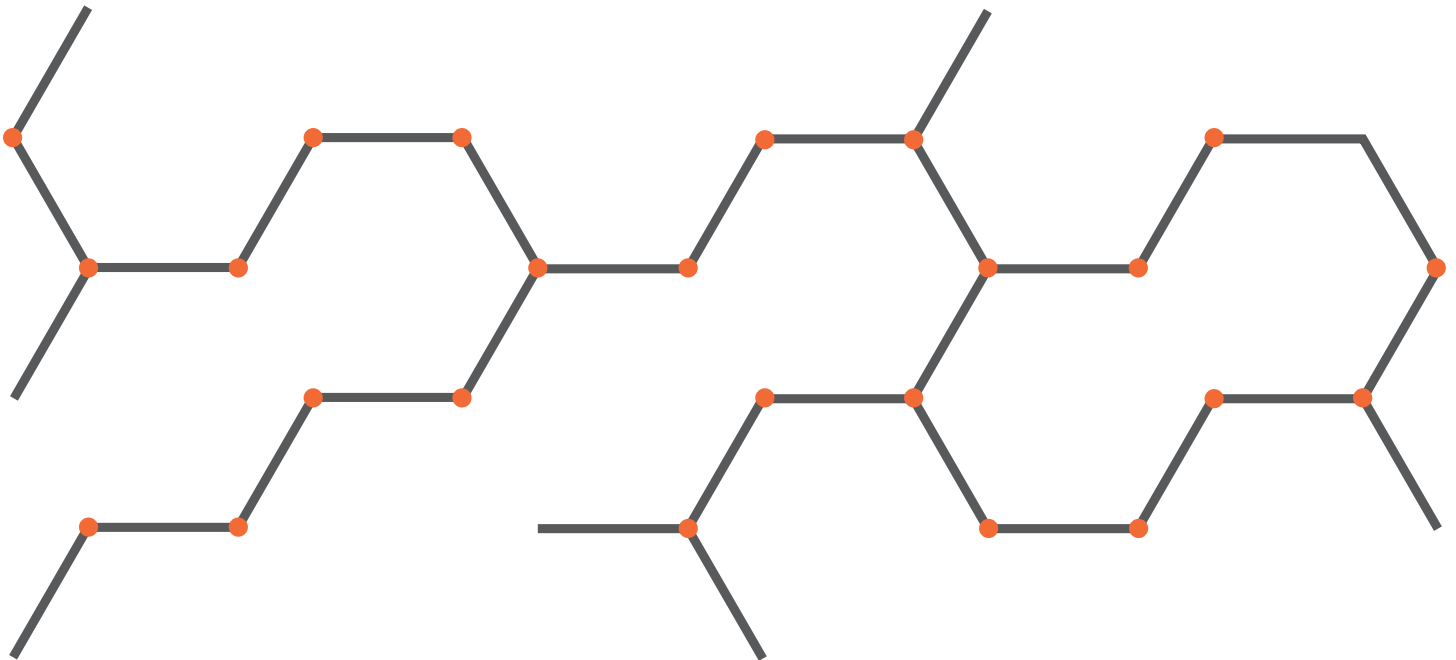
Branches



Articulated Configurations



Patterns



Order Logic Information - Online Pattern Configuration Tool

NOTE: Define patterns with the Define Pivot Hub are ordered utilizing the Define order logic with "-H" added at the end.

EXAMPLE ORDER LOGIC NUMBER: **S122DIP-C675D725U935-C4T179F0-1-UDD-F4-W-H**

Define patterns with the Define Pivot Hub may be ordered via the Pattern Configuration Tool or contact the factory for assistance.

Customize Your Fixture
Undo
Redo
Display Options
About
Validate
Start Over

Views

Pattern Mounting Perimeter

Product Group

Zoom

In Out Fit Restore

Location

Home Home / Restore

	%	Price
MIN	0.00	0.00
TAR	0.00	0.00

Runs

Run	Length
Run 1	15ft
Run 2	15ft
Run 3	9ft
Run 4	8ft
Run 5	7ft
Run 6	11ft
Run 7	5ft
Run 8	9ft

Properties

Fixture	Length	Reorder
1 of 2	8'	▼
2 of 2	7'	▲

Actual Length of Fixtures

15ft

Joint Angle Relative to Hub

194.5

Joint Angle Relative to Graphic Below

194.5

Messages

Message Type	Description	Corrective Action	Target Type	Target Item

Product Specifications and Compatibility

Construction

- 4" circular profile
- Zinc alloy housing

Hub Cap

- Die cast aluminum mechanically attached to the HUB with a snap ring

Finish

- Electrostatically applied polyester powder coat paint
- RAL and custom colors are available

Mounting

- All sections are continuously wired with push-in connectors for fast installation
- Refer to installation instructions for various ceiling interface details
- Aircraft cable mounts on center of Define Pivot Hub, 2.250" from the end of the standard fixture housing not including end cap

Integrated Controls

- Sensor may be integrated into the hub. 1 fixture has the power pack. Sensor in hub is available with Single Circuit Only.
- Wiring through the Define Pivot Hub is only compatible with 1 of the following at the same time: Dual/Secondary Circuit OR Emergency Circuit OR Sensor OR VividTune OR UL924 Relay

Compatibility

- Compatible with Neo-Ray Define Suspended 2in, 3in, and 4in aperture luminaires
- Max single fixture length of 8ft with continuous run available for longer runs.
- Number of Branches
 - Define 2: Up to 5 Branches
 - Define 3: Up to 4 Branches
 - Define 4: Up to 4 Branches
- Minimum Angle
 - Define 2: 52°
 - Define 3: 70°
 - Define 4: 85°

Emergency Options

- Wiring through the Define Pivot Hub is only compatible with 1 of the following at a time: Dual/Secondary Circuit OR Emergency Circuit OR Sensor OR VividTune OR UL924 Relay
- 9 wire maximum limitation through the hub endcap for each luminaire attached to the hub. If max wires are exceeded while ordering, battery and emergency wiring must come from separate power drops not through the Define Pivot Hub.

Weight

- ~ 3.25 lbs. HUB

Compliance

- cULus listed for damp locations
- RoHS compliant

Warranty

- Five-year limited warranty www.cooperlighting.com/legal

Standard Finish Options



W - White



S - Silver



B - Black



RR - Real Red
RAL 3020
Gloss



OO - Oasis Orange
RAL 2004
Gloss



YY - Yippee Yellow
RAL 1018
Gloss



GG - Gracious Green
RAL 6018
Gloss



CC - Cyprus Cyan
RAL 6027
Gloss



TT - Totally Turquoise
RAL 5018
Gloss



BB - Bioshere Blue
RAL 5017
Gloss



PP - Perfect Purple
RAL 4005
Gloss



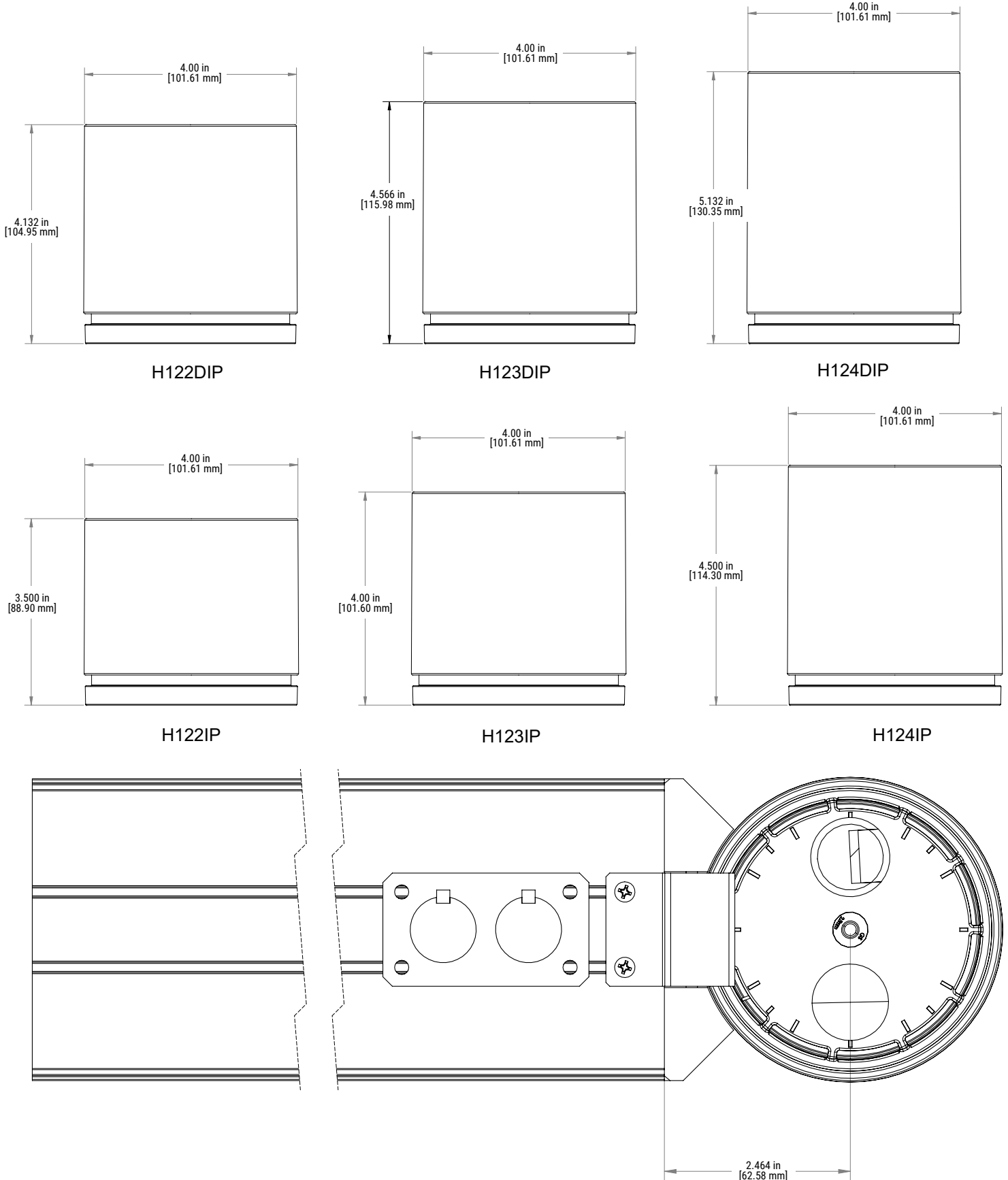
VV - Vacation Violet
RAL 4008
Gloss



MM - Magic Magenta
RAL 4010
Gloss

RAL & custom colors available as ETO

Dimensions



Ceiling Types

Grid (T1, T9, TS)



Dual Grid Clips

Structure (JB)



No Direct J-Box Mount