

Installation Instructions - Define Pivot Hub

! WARNING

Risk of Fire, Electrical Shock, Cuts or other Casualty Hazards- Installation and maintenance of this product must be performed by a qualified electrician. This product must be installed in accordance with the applicable installation code by a person familiar with the construction and operation of the product and hazards involved.



Risk of Fire and Electric Shock- Make certain power is OFF before starting installation or attempting any maintenance. Disconnect power at fuse or circuit breaker.



Risk of Fire- Minimum 90°C supply conductors.



Risk of Burn- Disconnect power and allow fixture to cool before handling or servicing.

Risk of Personal Injury- Due to sharp edges, handle with care.

Risk of Personal Injury- Fixture not intended to be installed in a gymnasium or other space where impacts from objects can occur.

Failure to comply with these instructions may result in death, serious bodily injury and property damage.

DISCLAIMER OF LIABILITY: Cooper Lighting Solutions assumes no liability for damages or losses of any kind that may arise from the improper, careless, or negligent installation, handling or use of this product.

IMPORTANT: Read carefully before installing fixture. Retain for future reference.

NOTICE: Green ground screw provided in proper location. Do not relocate.

NOTICE: Fixture may become damaged and/or unstable if not installed properly.

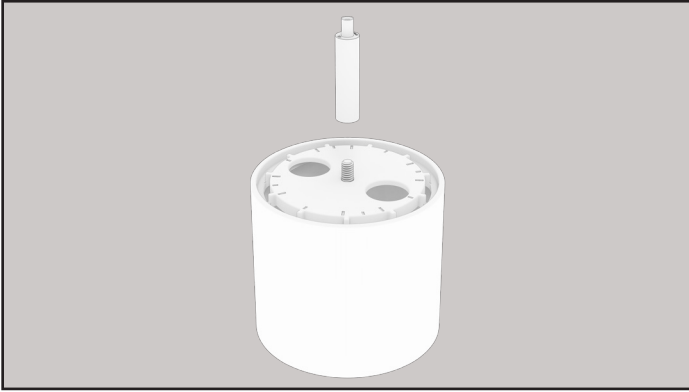
Note: Specifications and dimensions subject to change without notice.

ATTENTION Receiving Department: Note actual fixture description of any shortage or noticeable damage on delivery receipt. File claim for common carrier (LTL) directly with carrier. Claims for concealed damage must be filed within 15 days of delivery. All damaged material, complete with original packing must be retained.

Installation Instructions - Define Pivot Hub

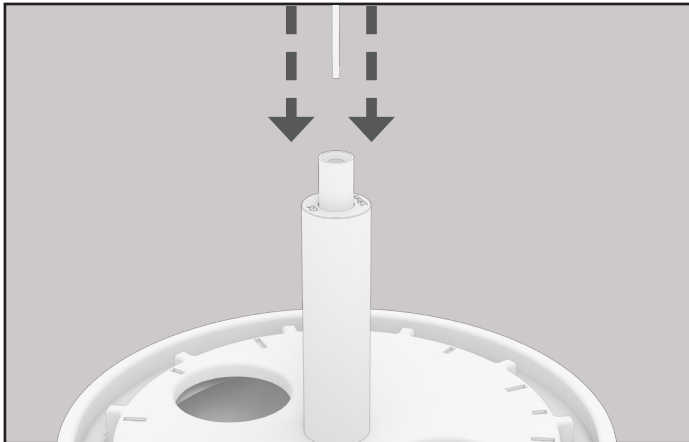
① Cable Gripper Attachment

The Hub must be mounted with the included heavy duty, 3/32" aircraft cable and corresponding oversize gripper hardware. Failure to utilize the correct hardware may result in Pivot Hub failure. The Define Pivot hub **must** be mounted with the included heavy duty, 3/32" aircraft cable and corresponding oversize gripper hardware.



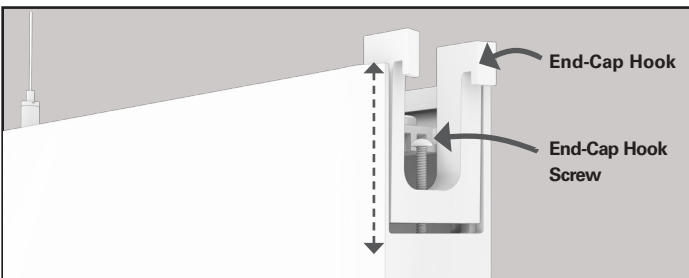
② Insert Aircraft Cable

Pull aircraft cable through cable gripper and adjust to desired height.



③ Define Fixture Attachment to Hub

Ensure End-Cap Hook Screw is fastened with enough thread engagement to support the weight of the Define fixture and the End-Cap Hook can move up and down enough to clear the top lip of the Define Pivot Hub.

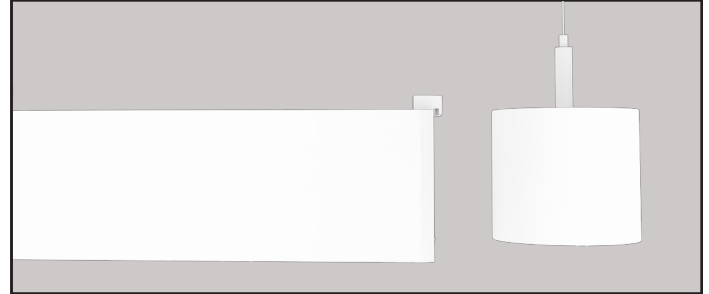


Warning: If End-Cap Hook Screw is not fastened with enough thread engagement, End-Cap Hook will slide off of fixture and result in the fixture falling.

④ Level Fixture

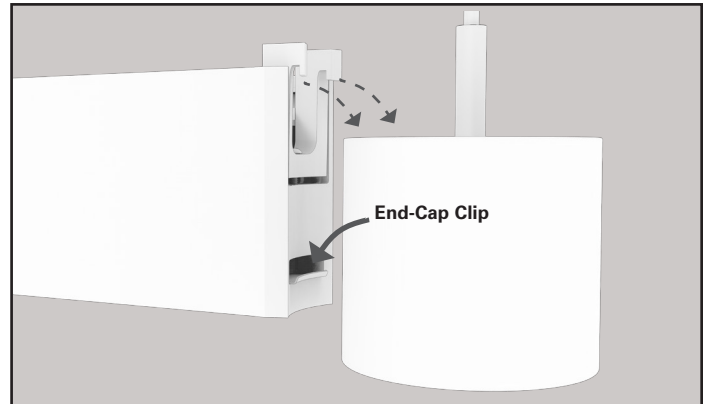
Complete mounting of non-hub side of the Define luminaire. Level fixture to hub.

Refer to Define Suspended installation instructions for more details regarding non-hub side mounting of the Define luminaire.



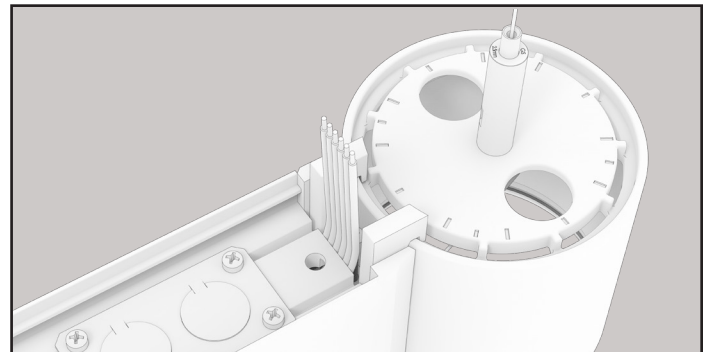
⑤ Attach to Fixture Define Pivot Hub

Attach Define fixture to Pivot Hub by placing End-Cap Hooks over the top lip of the hub. Ensure wires are pulled up and out of the way so End-Cap is flush against the hub. Ensure End-Cap Clip is below the bottom of the Pivot Hub.



⑥ Attach Define Pivot Hub

Move wires to the side and loosely fasten End-Cap Hook Screw further to ensure End-Cap Clip is hooked under the bottom of the Pivot Hub. Do not fully tighten End-Cap Hook Screw to allow for slight leveling and pivoting adjustments.



Warning: Ensure the luminaire is leveled before fastening the End-Cap Hook Screw to prevent damage to the End-Cap Clip.

Installation Instructions - Define Pivot Hub

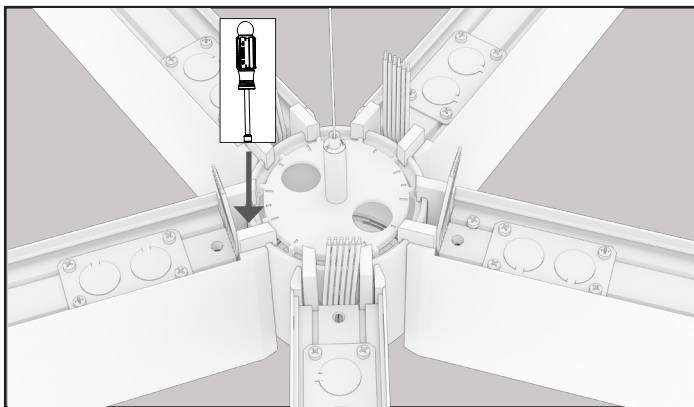
⑦ Repeat Steps

Repeat Steps 3-6 for each luminaire in the Define Pivot Hub pattern.

Note: When using a sensor in the Define Pivot Hub, ensure the luminaire with the sensor wire is aligned nearest to the sensor cable hole in the back of the hub. See Step 11B for reference image.

⑧ Tighten End-Cap Hook Screws

Once all fixtures are attached and leveled, tighten each End-Cap Screw to lock in the position.



Note: For End-Cap Hook Screw, tighten until both the End-Cap Clip, and the End-Cap Hook are engaged with the hub, and torque to 7.1 in-lbs.

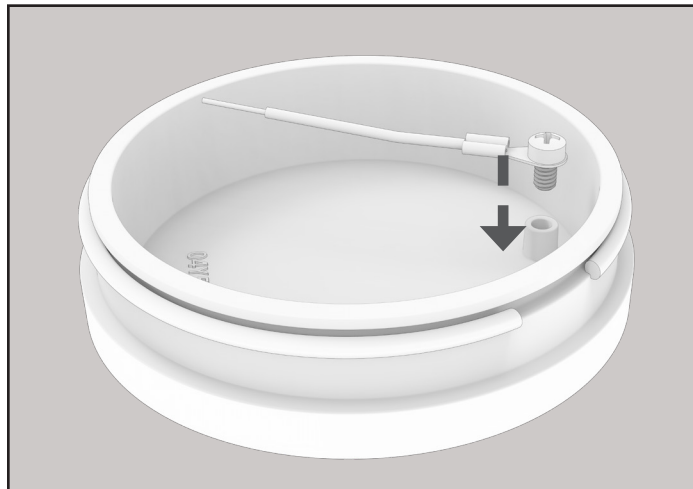
⑨ Attach Ground

Attach ground pigtail to hub utilizing included 8-32 screw.



⑩ Attach Ground

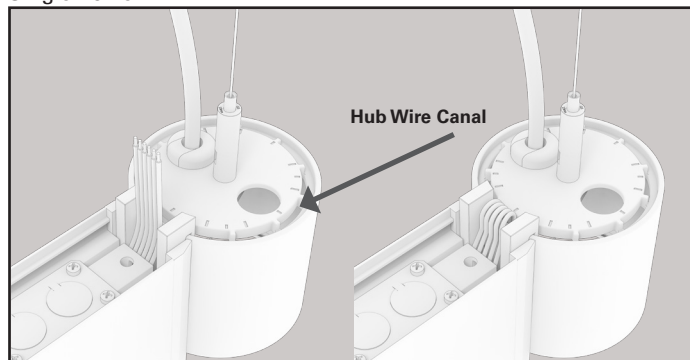
Attach ground pigtail to hub cap utilizing included 8-32 screw.



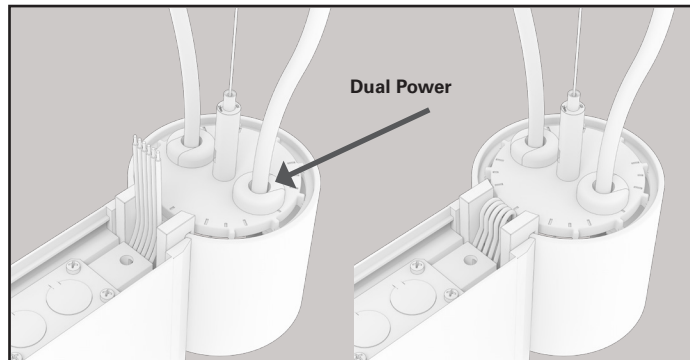
⑪A Inserting Wires

Bring fixture wires into the hub by inserting wires through hub wire canal.

Single Power

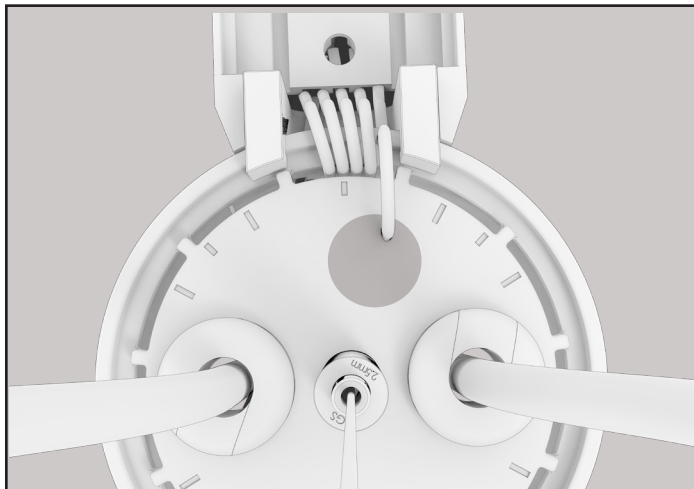


Dual Power



11B Using a Sensor

When utilizing a hub mounted sensor, pass the sensor cable through the sensor hole.

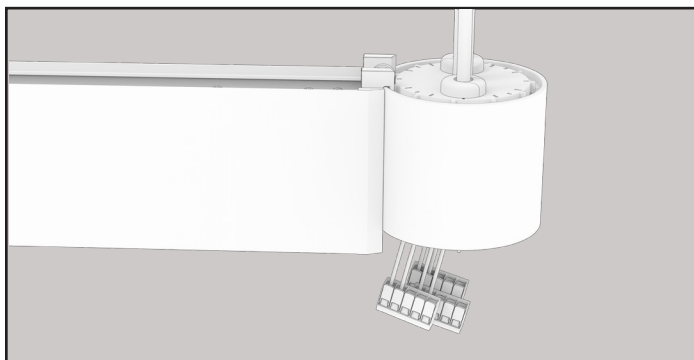


12 Repeat

Repeat Step 11 for each luminaire in the Define Pivot Hub pattern.

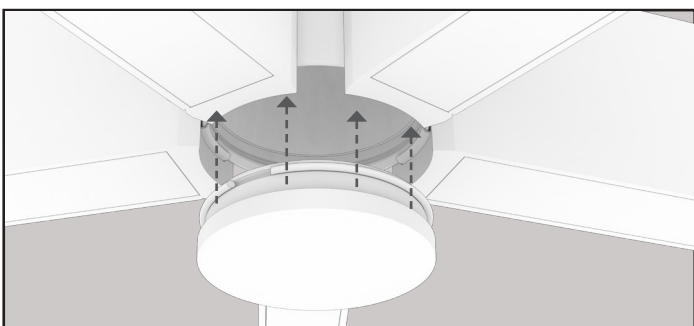
13 Wire Connections

Make appropriate wire connections per Define Suspended installation instructions. Ensure that both the Hub Cap and Hub pigtails are grounded.
Note: For better wire management, wires may be cut down if they are too long for connections.



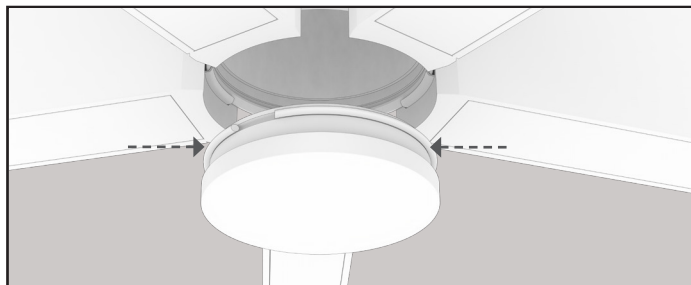
14 Add Hub Cap

Once all wiring is complete, snap in the Hub Cap. Refer to the following instructions for additional detail.



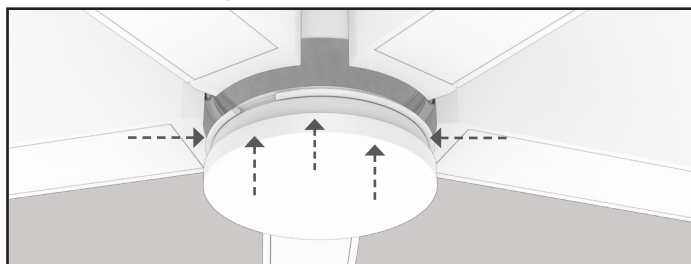
14A Hub Cap Snap Ring

Pinch the Hub Cap Snap Ring as shown in the image.



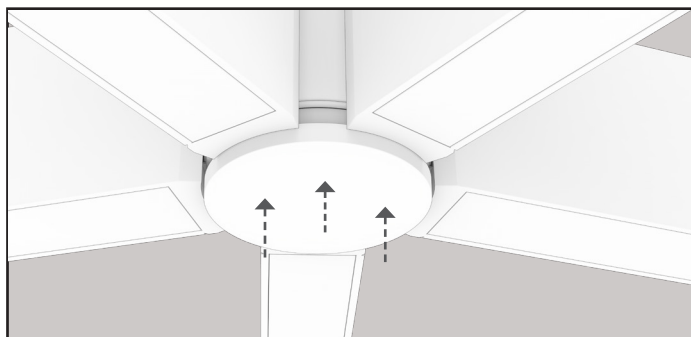
14B Insert Hub Cap

While continuing to pinch the Hub Cap Snap Ring, insert the Hub Cap into the Define Pivot Hub.



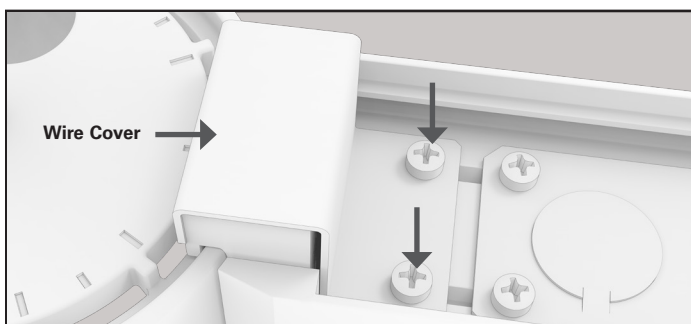
14C Snap Hub Cap

Firmly snap the Hub Cap into the Define Pivot Hub. Adjust the Hub Cap by lightly pulling on the Hub Cap to ensure proper alignment.
Note: The Hub Cap should be flush with the Define luminaires when properly installed.



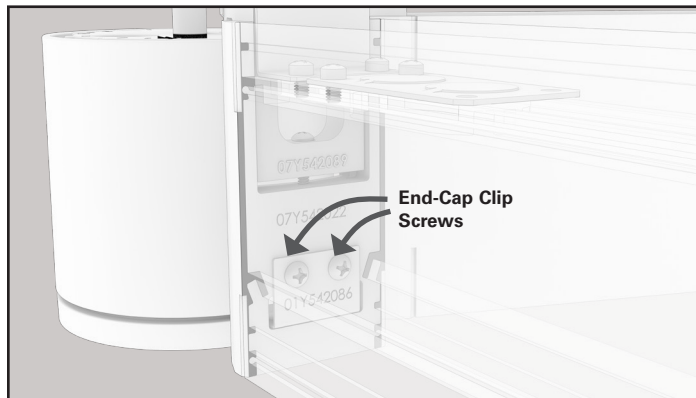
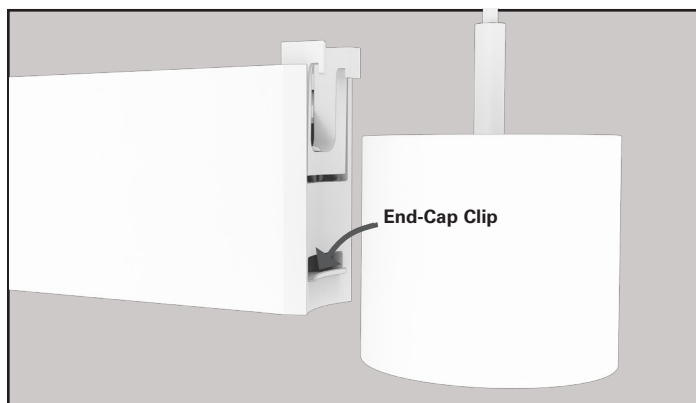
15 Add Top Wire Covers

Install Wire Cover on top of fixture using 2 Included, 8-32 screws.



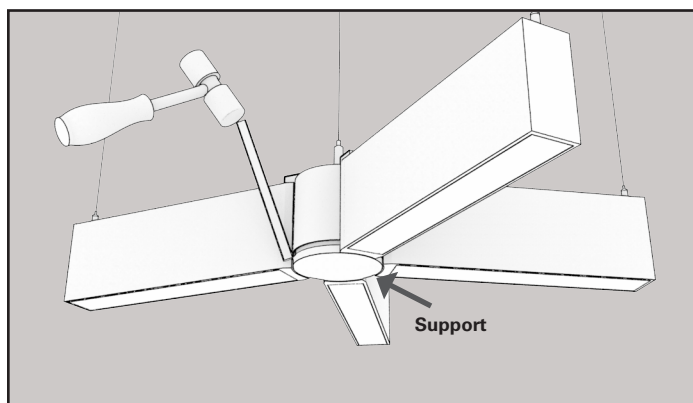
Installation Instructions - Define Pivot Hub

Note: If Define luminaire is installed or leveled improperly, the End-Cap Clip may become damaged. Please contact the factory for replacement End-Cap Clip as this component is required to keep the Define luminaire securely fastened to the Define Pivot Hub. To replace End-Cap Clip, remove the lens to access, and then remove the 2 End-Cap Clip Screws from inside the Define Luminaire housing. Replace the clip and ensure that both screws are tight before reinstalling the lens.



Hub Cap Removal

Note: If the Hub-Cap needs to be removed to adjust wire connections or for service, the following procedure should be utilized to prevent damage to the paint. Take a non-marring tool such as a carpenter's pencil, wooden dowel or fiberglass rod and place it one end onto the edge of the Hub-Cap lip. Tap the back side of the tool with a dead blow or framing hammer, driving the hub cap downwards, while supporting the back of the hubcap with your fingers to prevent horizontal movement. This should dislodge the cap and the Snap Ring from the Hub, allowing free removal the Hub Cap. Refer to the image below for additional details. It should be noted that using a screwdriver or pry bar to remove the cap **will result in paint damage.**



Warranties and Limitation of Liability

Please refer to www.cooperlighting.com/Warranty for our terms and conditions.

Garanties et limitation de responsabilité

Veuillez consulter le site www.cooperlighting.com/Warranty pour obtenir les conditions générales.

Garantías y Limitación de Responsabilidad

Visite www.cooperlighting.com/Warranty para conocer nuestros términos y condiciones.

FCC Statement

• This device complies with Part 15 of the FCC Rules.
Operation is subject to the following two conditions:

- (1) This device may not cause harmful interference.
- (2) This device must accept any interference received, including interference that may cause undesired operation.

Note: The grantee is not responsible for any changes or modifications not expressly approved by the party responsible for compliance. Such modifications could void the user's authority to operate the equipment.

Note: The equipment has been tested and found to comply with the limits for a **Class B** digital device, pursuant to part 15 of the FCC Rules.

These limits are designed to provide reasonable protection against harmful interference in a residential installation. This equipment generates uses and can radiate radio frequency energy and, if not installed and used in accordance with the instructions, may cause harmful interference to radio communications. However, there is no guarantee that interference will not occur in a particular installation. If this equipment does cause harmful interference to radio or television reception, which can be determined by turning the equipment off an on, the user is encouraged to try to correct the interference by one or more of the following measures:

- Reorient or relocate the receiving antenna.
- Increase the separation between the equipment and receiver.
- Connect the equipment into an outlet on a circuit different from that to which the receiver is connected.
- Consult the dealer or an experienced radio/TV technician for help.

This device complies with FCC radiation exposure limits set forth for an uncontrolled environment. This equipment must be installed and operated in accordance with provided instructions and the antenna(s) used for this transmitter must be installed to provide a separation distance of at least 20 cm from all persons.