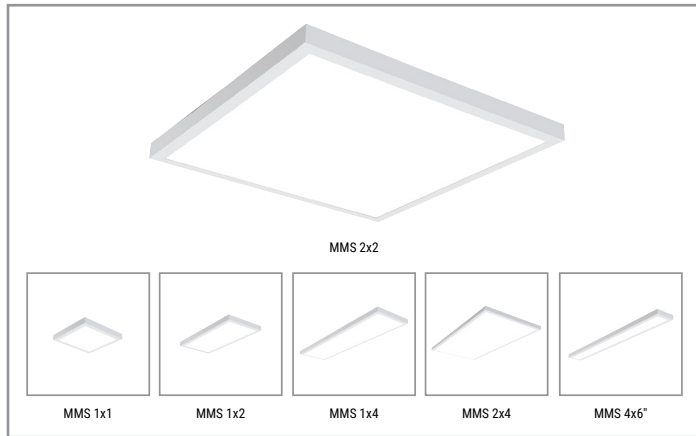


| | | | | | |
|-------------|--|-----------|--|------|--|
| Project | | Catalog # | | Type | |
| Prepared by | | Notes | | Date | |



Metalux

MMS Multi-mount Selectable

1x1 / 1x2 / 4x6" / 1x4 / 2x2 / 2x4
Direct Mount LED Backlit Panel

Typical Applications

Offices • Education • Healthcare • Retail

Interactive Menu

- Order Information [page 2](#)
- Product Specifications [page 5](#)
- Product Warranty

Top Product Features

- Versatile mounting: Surface (no surface mount kit needed), recessed, suspended (with kit) or wall mount
- 1' x 4', 2' x 2', 2' x 4' with standard 90 CRI, (3) CCT Selectable: 3500K, 4000K, 5000K
- 1' x 1', 1' x 2', 6" x 4' with standard 90 CRI, (5) CCT Selectable: 2700K, 3000K, 3500K, 4000K, 5000K
- Selectable switches are located on top of the junction box, for quick adjustment before and after installation
- 0-10V continuous dimming to 5% for increased energy savings
- Acrylic micro-optics provide uniform illumination across the entire lens

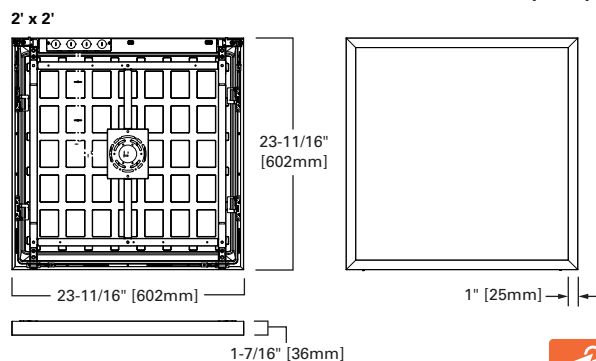
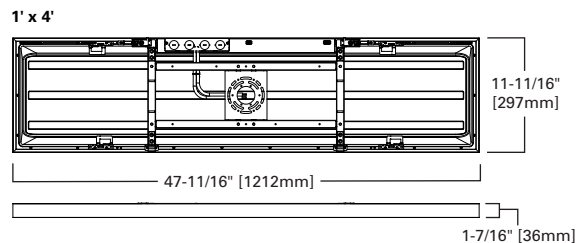
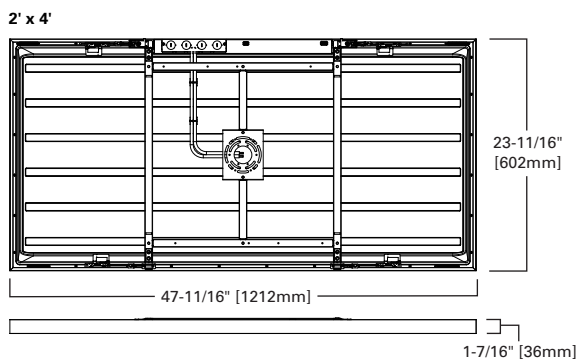
Product Certification



Product Features



MMS Dimensions



[additional product diagrams](#)



MMS Ordering Information/Performance

Default CCT/Lumen Setting: 4000K/Medium

| Size | Catalog | Lumen Setting | CCT | CRI (Min) | Delivered Nominal Lumens | Watts | Efficacy (lm/W) |
|------|----------------|---------------|-------|-----------|--------------------------|-------|-----------------|
| 1x1 | 11MMS-L3C5-UNV | Low | 2700K | 90 | 1008 | 9 | 115 |
| | | | 3000K | 90 | 1046 | 9 | 119 |
| | | | 3500K | 90 | 1088 | 9 | 122 |
| | | | 4000K | 90 | 1108 | 9 | 124 |
| | | | 5000K | 90 | 1114 | 9 | 127 |
| | | Medium | 2700K | 90 | 1510 | 14 | 109 |
| | | | 3000K | 90 | 1567 | 14 | 112 |
| | | | 3500K | 90 | 1630 | 14 | 116 |
| | | | 4000K | 90 | 1659 | 14 | 119 |
| | | | 5000K | 90 | 1669 | 14 | 119 |
| | | High | 2700K | 90 | 1981 | 20 | 99 |
| | | | 3000K | 90 | 2056 | 20 | 102 |
| | | | 3500K | 90 | 2138 | 20 | 106 |
| | | | 4000K | 90 | 2177 | 20 | 108 |
| | | | 5000K | 90 | 2190 | 20 | 109 |
| 1x2 | 12MMS-L3C5-UNV | Low | 2700K | 90 | 1800 | 17 | 107 |
| | | | 3000K | 90 | 1861 | 17 | 109 |
| | | | 3500K | 90 | 1935 | 17 | 113 |
| | | | 4000K | 90 | 1963 | 17 | 115 |
| | | | 5000K | 90 | 1951 | 17 | 115 |
| | | Medium | 2700K | 90 | 2348 | 24 | 99 |
| | | | 3000K | 90 | 2428 | 24 | 102 |
| | | | 3500K | 90 | 2524 | 24 | 105 |
| | | | 4000K | 90 | 2561 | 24 | 107 |
| | | | 5000K | 90 | 2545 | 24 | 107 |
| | | High | 2700K | 90 | 2894 | 32 | 90 |
| | | | 3000K | 90 | 2992 | 33 | 92 |
| | | | 3500K | 90 | 3110 | 33 | 95 |
| | | | 4000K | 90 | 3156 | 33 | 97 |
| | | | 5000K | 90 | 3136 | 32 | 97 |
| 4x6" | 4MMS6-L3C5-UNV | Low | 2700K | 90 | 1820 | 17 | 107 |
| | | | 3000K | 90 | 1868 | 17 | 109 |
| | | | 3500K | 90 | 1936 | 17 | 113 |
| | | | 4000K | 90 | 1977 | 17 | 115 |
| | | | 5000K | 90 | 2010 | 17 | 117 |
| | | Medium | 2700K | 90 | 2400 | 24 | 101 |
| | | | 3000K | 90 | 2464 | 24 | 103 |
| | | | 3500K | 90 | 2554 | 24 | 106 |
| | | | 4000K | 90 | 2607 | 24 | 109 |
| | | | 5000K | 90 | 2650 | 24 | 111 |
| | | High | 2700K | 90 | 2993 | 32 | 94 |
| | | | 3000K | 90 | 3073 | 32 | 95 |
| | | | 3500K | 90 | 3185 | 32 | 98 |
| | | | 4000K | 90 | 3252 | 32 | 100 |
| | | | 5000K | 90 | 3306 | 32 | 102 |



MMS Ordering Information/Performance

Default CCT/Lumen Setting: 4000K/Medium

| Size | Catalog | Lumen Setting | CCT | CRI (Min) | Delivered Nominal Lumens | Watts | Efficacy (lm/W) |
|------|----------------|---------------|-------|-----------|--------------------------|-------|-----------------|
| 1x4 | 14MMS-L3C3-UNV | Low | 3500K | 90 | 2620 | 19 | 137 |
| | | | 4000K | 90 | 2793 | 18 | 153 |
| | | | 5000K | 90 | 2699 | 19 | 141 |
| | | Medium | 3500K | 90 | 3494 | 26 | 133 |
| | | | 4000K | 90 | 3725 | 25 | 148 |
| | | | 5000K | 90 | 3599 | 26 | 137 |
| | | High | 3500K | 90 | 4958 | 40 | 124 |
| | | | 4000K | 90 | 5286 | 38 | 138 |
| | | | 5000K | 90 | 5107 | 40 | 128 |
| 2x2 | 22MMS-L3C3-UNV | Low | 3500K | 90 | 2684 | 20 | 137 |
| | | | 4000K | 90 | 2857 | 19 | 154 |
| | | | 5000K | 90 | 2684 | 20 | 137 |
| | | Medium | 3500K | 90 | 3544 | 27 | 131 |
| | | | 4000K | 90 | 3772 | 26 | 146 |
| | | | 5000K | 90 | 3544 | 27 | 130 |
| | | High | 3500K | 90 | 4948 | 41 | 120 |
| | | | 4000K | 90 | 5267 | 39 | 135 |
| | | | 5000K | 90 | 4947 | 41 | 120 |
| 2x4 | 24MMS-L3C3-UNV | Low | 3500K | 90 | 3689 | 26 | 140 |
| | | | 4000K | 90 | 3839 | 25 | 151 |
| | | | 5000K | 90 | 3732 | 26 | 141 |
| | | Medium | 3500K | 90 | 4769 | 35 | 137 |
| | | | 4000K | 90 | 4963 | 34 | 148 |
| | | | 5000K | 90 | 4825 | 35 | 139 |
| | | High | 3500K | 90 | 6339 | 48 | 132 |
| | | | 4000K | 90 | 6598 | 47 | 142 |
| | | | 5000K | 90 | 6414 | 48 | 133 |

MMS Shipping Data

| Model Number | Weight | Length | Width | Height | UPC |
|----------------|--------|--------|-------|--------|--------------|
| 11MMS-L3C5-UNV | 3.04 | 12.80 | 25.12 | 2.68 | 080083292004 |
| 12MMS-L3C5-UNV | 4.99 | 12.80 | 25.12 | 2.68 | 080083292011 |
| 4MMS6-L3C5-UNV | 5.27 | 6.81 | 49.13 | 2.68 | 080083292028 |
| 22MMS-L3C3-UNV | 8.07 | 24.80 | 25.12 | 2.68 | 080083292042 |
| 14MMS-L3C3-UNV | 7.78 | 12.80 | 49.13 | 2.68 | 080083292035 |
| 24MMS-L3C3-UNV | 12.98 | 24.80 | 49.13 | 2.68 | 080083292059 |

MMS Options

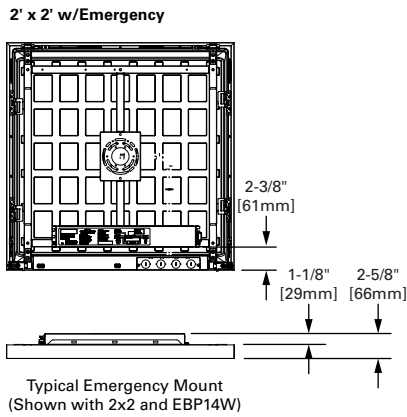
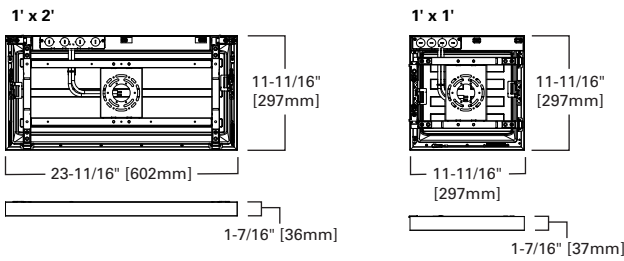
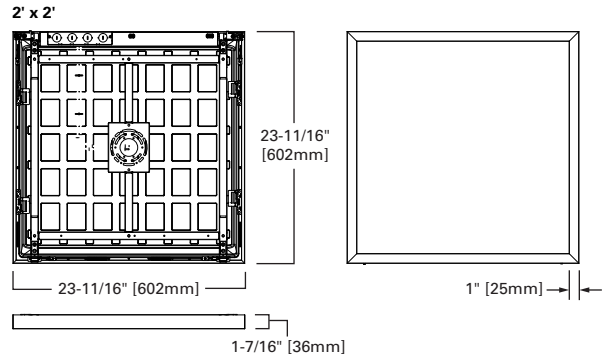
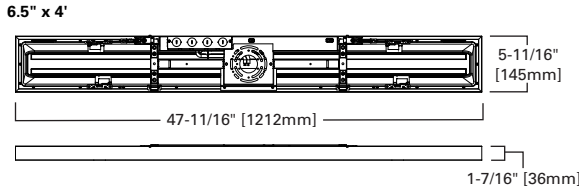
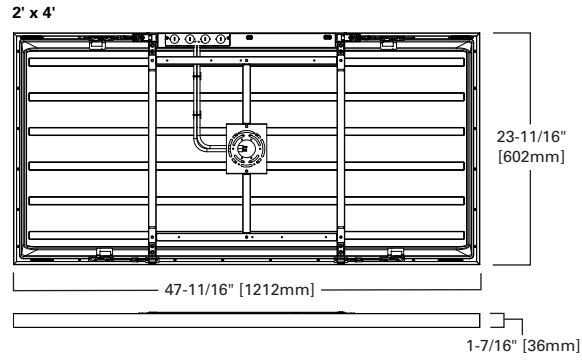
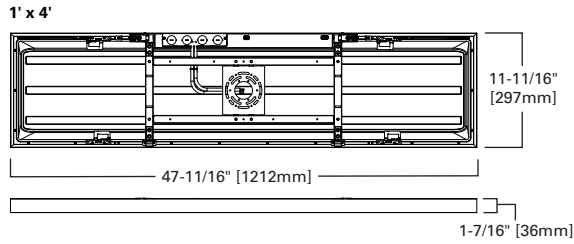
| Catalog | Description | Example | Notes |
|---------------|--|------------------------------|---|
| A3/8-4/18GDIM | 6' Length, 3/8" Cable, 3 Wire, 3 Dimming Leads, Ground | 22MMS-L3C3-UNV-A3/8-5/18GDIM | Factory installed for Recessed or Suspension mount only |

MMS Accessories (order separately)

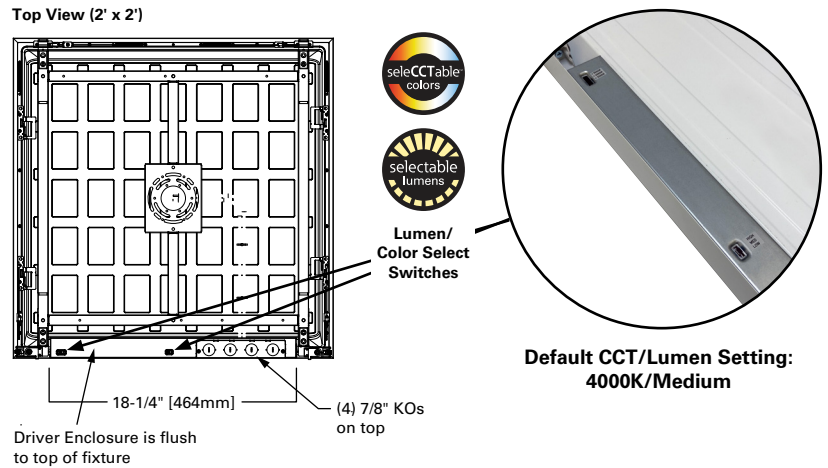
| Catalog | Description | Note |
|----------|---------------------------------------|---|
| EBPLED7 | LED 7 watt emergency battery pack | Field Installed |
| EBPLED14 | LED 14 watt emergency battery pack | Field Installed |
| WTA | WaveLinX PRO Wireless Tilemount Kits | Installs into ceiling tile with pre-wired kit for Recessed or Suspension mount only |
| WTK | WaveLinX LITE Wireless Tilemount Kits | Installs into ceiling tile with pre-wired kit for Recessed or Suspension mount only |

Notes: Emergency Battery and WTA/WTK for Recessed and Suspended mount only.

MMS Dimensions



MMS Driver Enclosure / Junction Box



MMS Accessories

Drywall Frame Kit

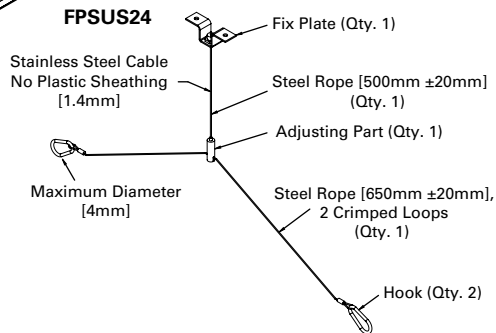
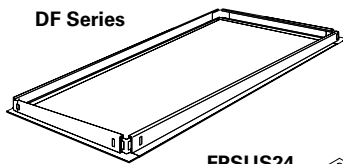
| Catalog No. | Description | UPC |
|-------------|------------------------|---------------|
| DF-24W-U | 2x4 dry wall frame kit | 0662401232970 |
| DF-22W-U | 2x2 dry wall frame kit | 0662401232963 |
| DF-14W-U | 1x4 dry wall frame kit | 0662401232949 |

Suspension Kit

| Catalog | UPC | Description |
|---------|--------------|---|
| FPSUS24 | 080083258895 | 2 point Y-hanger suspension kit includes aircraft cable, carabiner, ceiling connection, SO cord, cord connectors and round 4" J-box cover plate |

Mounting height from ceiling
Min. = 7-1/4" [184mm]
Max. = 27" [286mm]

DF Series



MMS Product Specifications

Construction

- Rigid cold rolled steel housing
- No holes in the housing prevents dust, debris or bug intrusion
- Equipped with steel bracket for easy surface and recessed mounting

Mounting

- Integral grid clips secure fixture to the T-Grid
- Junction box constructed of code gauge galvanized steel with access plate
- Multiple 7/8" KO's provided, suitable for up to 12AWG wiring
- Surface mount bracket included for seamless installation
- Safety fasteners included to allow hands free wiring and safe installation

Controls

- Standard UNV 120 - 277V driver with 0-10V dimming, 5% standard
- Can be used with tile mounted sensor or other remote mount controls

- Selectable driver for up to five color temperature choices and three lumen package choices

Electrical

- MMS projected lumen maintenance based on TM21 testing standards is >L82@60,000 hours
- Driver rated for FCC part 15 Class B for use in residential or commercial applications
- LEDs are 90 CRI (minimum) and switch to 2700K, 3000K, 3500K, 4000K, or 5000K.
- Emergency battery pack options available in 7W, 10W, and 14W (not compatible with surface mounting)
- Default CCT/Lumen Setting: 4000K/Medium

Optical Shielding

- Acrylic micro-optics enable uniform distribution of LEDs for uniform lens illumination
- Smooth, frosted lens delivers uniform illumination across the entire lens
- Durable lens with surface texture to minimize scratch and impact damage

Certifications

- cULus listed for 25C ambient environments, indoor applications
- IC rated for direct insulation contact
- UL damp location listed
- IESNA LM-79 and LM-80 standards compliant
- Qualifies as State of California Title 24 high efficiency luminaire
- DesignLights Consortium® Qualified and classified for DLC Standard, refer to www.designlights.org for details
- FCC part 15 class B (residential) compliant
- Fixture is rated for NSF/ANSI standard 2 - Light fixture for Splash Zone and Non-Food Zone

Warranty

- Five year limited standard warranty

MMS Photometric Data

[View IES files](#)

| | | | |
|--|---|--|---|
| | <p>11MMS-L3C5-UNV-MEDIUM-4000K Electronic Driver Linear LED 4000K Spacing criterion: (II) 1.26 x mounting height, (⊥) 1.26 x mounting height Lumens: 1659 Input Watts: 14W Efficacy: 118.5 LPW Test Report: 11MMS-L3C5-UNV-MEDIUM-4000K.IES</p> | | <p>12MMS-L3C5-UNV-MEDIUM-4000K Electronic Driver Linear LED 4000K Spacing criterion: (II) 1.25 x mounting height, (⊥) 1.26 x mounting height Lumens: 2561 Input Watts: 24W Efficacy: 106.7 LPW Test Report: 12MMS-L3C5-UNV-MEDIUM-4000K.IES</p> |
| | <p>14MMS-L3C3-UNV-MEDIUM-4000K Electronic Driver Linear LED 4000K Spacing criterion: (II) 1.27 x mounting height, (⊥) 1.27 x mounting height Lumens: 3725 Input Watts: 25.2W Efficacy: 147.8 LPW Test Report: 14MMS-L3C3-UNV-MEDIUM-4000K.IES</p> | | <p>22MMS-L3C3-UNV-MEDIUM-4000K Electronic Driver Linear LED 4000K Spacing criterion: (II) 1.26 x mounting height, (⊥) 1.27 x mounting height Lumens: 3772 Input Watts: 25.8W Efficacy: 146.2 LPW Test Report: 22MMS-L3C3-UNV-MEDIUM-4000K.IES</p> |
| | <p>24MMS-L3C3-UNV-MEDIUM-4000K Electronic Driver Linear LED 4000K Spacing criterion: (II) 1.27 x mounting height, (⊥) 1.27 x mounting height Lumens: 4963 Input Watts: 33.5W Efficacy: 148.1 LPW Test Report: 24MMS-L3C3-UNV-MEDIUM-4000K.IES</p> | | <p>4MMS6-L3C5-UNV-MEDIUM-4000K Electronic Driver Linear LED 4000K Spacing criterion: (II) 1.26 x mounting height, (⊥) 1.26 x mounting height Lumens: 2607 Input Watts: 24W Efficacy: 108.6 LPW Test Report: 4MMS6-L3C5-UNV-MEDIUM-4000K.IES</p> |