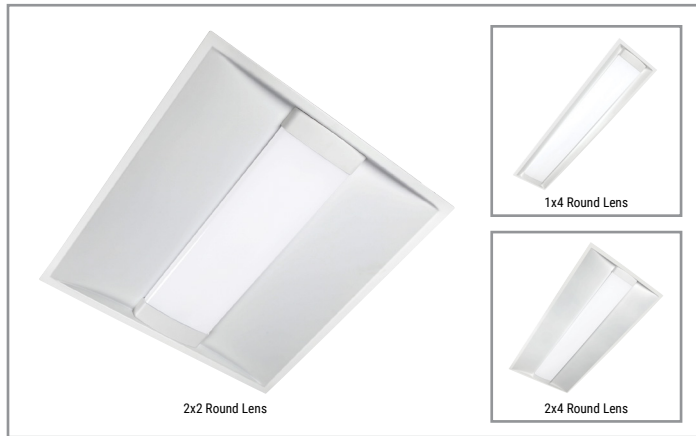


Project		Catalog #		Type	
Prepared by		Notes		Date	



Metalux

Achieva™ Selectable Center Basket

Achieva™ Selectable Lumens and CCT Troffer
1x4 / 2x2 / 2x4

Typical Applications

Offices • Education • Healthcare • Retail

Interactive Menu

- Order Information/Performance [page 2](#)
- Photometric Data [page 6](#)
- Product Specifications [page 7](#)
- Control Solutions [page 8](#)
- Product Warranty

Product Certification



Product Features



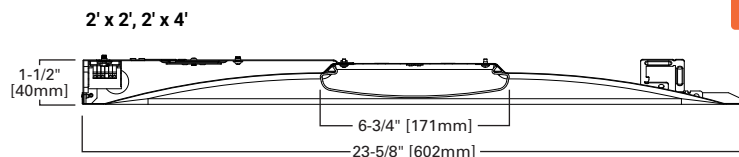
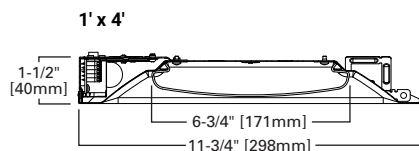
Top Product Features

- Selectable lumens (low/medium/high) and selectable CCT (3500K/4000K/5000K) in both 80 or 90 CRI for use in a variety of applications and stock simplicity
- Selectable lumens offered in both standard selectable and high output selectable options
- Available in Round or Square lens options
- Shallow plenum - 1.5" depth fits the most challenging spaces
- 0-10V dimming to 5% standard with 120-277V UNV
- Fully assembled driver integrated without exposed wires in the plenum
- Emergency, Wavelinx, and Flex options available
- Matches Achieva Surface for one family look across a space (coming Q4)

Achieva Dimensions

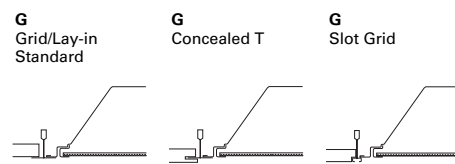
(Full Dimensions on Page 6)

See page 6 for Junction Box details for ARS



[additional product diagrams](#)

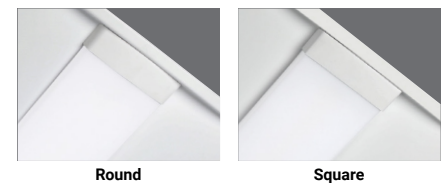
Ceiling Compatibility



Ceiling Type	Trim Type
Exposed Grid	Standard
Concealed T	Standard
Slot Grid	Standard
Flange	*

*See Drywall Frame Kit Accessory in Ordering Information Section

Lens





Achieva Ordering Information/Performance - Round Lens

Default CCT/Lumen Setting: 4000K / Med Power

Size	Catalog Number	Pack	Lumen Setting	CCT	CRI (Min)	Delivered Nominal Lumens	Watts	Efficacy (lm/W)
2x4	24ARS-L3C3-UNV	Single Carton	Low	3500K	80	3407	24.8	137
				4000K	80	3532	24.2	146
				5000K	80	3519	24.9	141
	24ARS-L3C3-UNV-MP2	Multi-Pack (2)	Medium	3500K	80	4566	34.4	133
				4000K	80	4777	33.3	143
				5000K	80	4718	34.5	137
			High	3500K	80	5877	47.0	125
				4000K	80	6254	45.5	138
				5000K	80	5877	47.0	125
2x4	24ARS-L3C39-UNV	Single Carton	Low	3500K	90	3435	24.6	140
				4000K	90	3495	24.0	145
				5000K	90	3443	24.6	140
			Medium	3500K	90	4602	33.9	136
				4000K	90	4710	32.9	143
				5000K	90	4614	33.8	136
			High	3500K	90	6032	45.3	133
				4000K	90	6172	43.9	141
				5000K	90	5939	45.3	131
2x4	24ARS-L3C3-HO-UNV	Single Carton	Low	3500K	80	6331	47.5	133
				4000K	80	6630	46.0	144
				5000K	80	6528	47.6	137
			Medium	3500K	80	6971	53.5	130
				4000K	80	7332	51.6	142
				5000K	80	7186	53.6	134
			High	3500K	80	7652	60.9	126
				4000K	80	8158	58.4	140
				5000K	80	8064	60.7	133
2x2	22ARS-L3C3-UNV	Single Carton	Low	3500K	80	2767	20.8	133
				4000K	80	2867	20.2	142
				5000K	80	2823	20.8	136
	22ARS-L3C3-UNV-MP4	Multi-Pack (4)	Medium	3500K	80	3488	27.2	129
				4000K	80	3646	26.3	139
				5000K	80	3563	27.2	131
			High	3500K	80	4183	33.4	125
				4000K	80	4308	32.9	131
				5000K	80	4229	33.3	127
2x2	22ARS-L3C39-UNV	Single Carton	Low	3500K	90	2729	20.2	135
				4000K	90	2755	19.7	140
				5000K	90	2694	20.1	134
			Medium	3500K	90	3458	26.4	131
				4000K	90	3532	25.6	138
				5000K	90	3424	26.2	131
			High	3500K	90	4157	33.0	126
				4000K	90	4218	32.8	128
				5000K	90	4186	33.0	127

Multi-Pack "MP" option only available for (2) skus listed above.



Achieva Ordering Information/Performance - Round Lens

Default CCT/Lumen Setting: 4000K / Med Power

Size	Catalog Number	Pack	Lumen Setting	CCT	CRI (Min)	Delivered Nominal Lumens	Watts	Efficacy (lm/W)
2x2	22ARS-L3C3-HO-UNV	Single Carton	Low	3500K	80	5001	38.4	130
				4000K	80	5263	37.0	142
				5000K	80	5142	38.4	134
			Medium	3500K	80	5417	42.3	128
				4000K	80	5705	40.7	140
				5000K	80	5551	42.2	131
			High	3500K	80	5973	46.8	128
				4000K	80	6372	45.1	141
				5000K	80	6204	46.8	133
1x4	14ARS-L3C3-UNV	Single Carton	Low	3500K	80	2790	20.5	136
				4000K	80	2890	19.9	145
				5000K	80	2871	20.6	140
			Medium	3500K	80	3530	26.8	132
				4000K	80	3695	25.9	142
				5000K	80	3632	26.9	135
			High	3500K	80	4584	34.4	133
				4000K	80	4647	32.9	141
				5000K	80	4579	34.1	134
1x4	14ARS-L3C39-UNV	Single Carton	Low	3500K	90	2800	20.3	138
				4000K	90	2845	19.8	144
				5000K	90	2796	20.3	138
			Medium	3500K	90	3549	26.5	134
				4000K	90	3628	25.7	141
				5000K	90	3507	26.5	134
			High	3500K	90	4573	33.6	136
				4000K	90	4592	32.5	141
				5000K	90	4514	34.3	134

Multi-Pack "MP" option only available for (2) skus listed above.



Achieva Ordering Information/Performance - Square Lens

Default CCT/Lumen Setting: 4000K / Med Power

Size	Catalog Number	Lumen Setting	CCT	CRI (Min)	Delivered Nominal Lumens	Watts	Efficacy (lm/W)
2x4	24ARS-L3C3-SQR-UNV	Low	3500K	80	3432	24.3	141
			4000K	80	3563	23.3	153
			5000K	80	3565	24.1	148
		Medium	3500K	80	4598	33.7	136
			4000K	80	4818	32.1	150
			5000K	80	4781	33.4	143
		High	3500K	80	5919	46.0	129
			4000K	80	6308	43.9	144
			5000K	80	6201	45.7	136
2x4	24ARS-L3C39-SQR-UNV	Low	3500K	90	3379	24.9	136
			4000K	90	3430	24.2	141
			5000K	90	3391	24.9	136
		Medium	3500K	90	4527	34.2	132
			4000K	90	4623	33.2	139
			5000K	90	4544	34.2	133
		High	3500K	90	5933	45.7	130
			4000K	90	6058	44.2	137
			5000K	90	5850	45.8	128
2x4	24ARS-L3C3-H0-SQR-UNV	Low	3500K	80	6267	46.9	134
			4000K	80	6609	45.3	146
			5000K	80	6515	47.1	138
		Medium	3500K	80	6900	52.8	131
			4000K	80	7310	50.8	144
			5000K	80	7172	53.1	135
		High	3500K	80	7574	60.1	126
			4000K	80	8134	57.6	141
			5000K	80	8047	60.0	134
2x2	22ARS-L3C3-SQR-UNV	Low	3500K	80	2785	20.9	133
			4000K	80	2824	20.2	140
			5000K	80	2815	21.0	134
		Medium	3500K	80	3510	27.4	128
			4000K	80	3593	26.2	137
			5000K	80	3553	27.5	129
		High	3500K	80	4209	33.6	125
			4000K	80	4244	32.9	129
			5000K	80	4217	33.6	126
2x2	22ARS-L3C39-SQR-UNV	Low	3500K	90	2704	20.2	134
			4000K	90	2696	19.7	137
			5000K	90	2645	20.0	132
		Medium	3500K	90	3426	26.3	130
			4000K	90	3456	25.6	135
			5000K	90	3362	26.1	129
		High	3500K	90	4118	32.9	125
			4000K	90	4127	32.8	126
			5000K	90	4111	32.9	125



Achieva Ordering Information/Performance - Square Lens

Default CCT/Lumen Setting: 4000K / Med Power

Size	Catalog Number	Lumen Setting	CCT	CRI (Min)	Delivered Nominal Lumens	Watts	Efficacy (lm/W)
2x2	22ARS-L3C3-H0-SQR-UNV	Low	3500K	80	5006	38.5	130
			4000K	80	5273	37.3	142
			5000K	80	5117	38.6	133
		Medium	3500K	80	5421	42.5	127
			4000K	80	5716	41.0	140
			5000K	80	5524	42.5	130
		High	3500K	80	5978	47.0	127
			4000K	80	6384	45.4	141
			5000K	80	6175	47.0	131
1x4	14ARS-L3C3-SQR-UNV	Low	3500K	80	2748	20.6	133
			4000K	80	2876	20.0	144
			5000K	80	2871	20.8	138
		Medium	3500K	80	3478	27.0	129
			4000K	80	3666	26.0	141
			5000K	80	3632	27.1	134
		High	3500K	80	4515	34.6	130
			4000K	80	4623	33.0	140
			5000K	80	4579	34.5	133
1x4	14ARS-L3C39-SQR-UNV	Low	3500K	90	2787	19.7	142
			4000K	90	2830	19.2	147
			5000K	90	2790	19.3	143
		Medium	3500K	90	3532	25.7	137
			4000K	90	3609	25.0	144
			5000K	90	3500	25.2	139
		High	3500K	90	4551	32.6	140
			4000K	90	4567	31.6	145
			5000K	90	4505	32.6	138
1x4	14ARS-L3C3-H0-SQR-UNV	Low	3500K	80	5307	38.3	139
			4000K	80	5438	36.9	147
			5000K	80	5316	38.2	139
		Medium	3500K	80	5761	42.4	136
			4000K	80	5916	40.7	145
			5000K	80	5759	42.2	136
		High	3500K	80	6258	46.9	133
			4000K	80	6469	45.0	144
			5000K	80	6301	46.7	135

Achieva options

Catalog	Description	Example	Notes
EL7W	7W EM Pack, Installed	22ARS-L3C3-UNV-EL7W	Integrated Indicator/Test Switch into end cap
EL14W	14W EM Pack, Installed	24ARS-L3C3-UNV-EL14W	Integrated Indicator/Test Switch into end cap
A3/8-5/18GDIM	6' Length, 3/8" Cable, 3 Wire, 3 Dimming Leads, Ground	24ARS-L3C3-UNV-A3/8-5/18GDIM	
EL7W-A3/8-5/18GDIM EL14W-A3/8-5/18GDIM	7W/14W EM Pack, Installed, and 6' Flex, 3/8" Cable, 3 Wire, 2 Dimming Leads, Ground	24ARS-L3C3-UNV-EL7W-A3/8-5/18GDIM 22ARS-L3C3-UNV-EL14W-A3/8-5/18GDIM	EL7W and EL14W only use 5/18G flex with emergency. EM pack is always specified before (to the left of) the flex, in the catalog number.
WLS	WaveLinX LITE Wireless Integrated Sensor	22ARS-L3C3-UNV-WLS	Sensor Integrated into end cap
WPS	WaveLinX PRO Wireless Integrated Sensor	24ARS-L3C3-UNV-WPS	Sensor Integrated into end cap

*Emergency + Sensor Available (EL7W/EL14W + WAA/WAB)

Achieva Shipping Data

Size	Fixture Net Weight	Fixture Gross Weight	Fixture Dimension	Carton Dimension	Fixtures per Carton	Pallet QTY (Cartons)	Pallet QTY (Fixtures)
2' x 2'	6.8 lbs.	9 lbs.	23.7" L x 1.8" W x 23.7" H	25.7" L x 2.8" W x 26.2" H	1	54	54
2' x 4'	11.3 lbs.	15.8 lbs.	47.7" L x 1.8" W x 23.7" H	50.4" L x 2.8" W x 26" H	1	27	27
1' x 4'	7 lbs.	10.2 lbs.	47.7" L x 1.8" W x 11.7" H	50.4" L x 2.8" W x 15.2" H	1	27	27
2' x 2' MP4	6.8 lbs.	31.8 lbs.	23.7" L x 1.8" W x 23.7" H	27.2" L x 8.1" W x 27.4" H	4	12	48
2' x 4' MP2	11.3 lbs.	30.1 lbs.	47.7" L x 1.8" W x 23.7" H	51.2" L x 5.1" W x 27.8" H	2	9	18

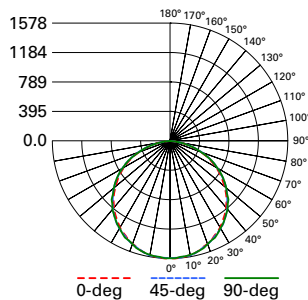
Accessories

Accessories (order separately)

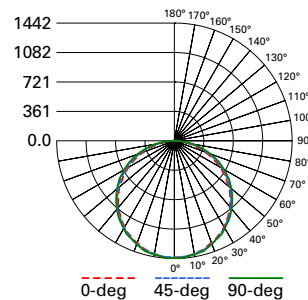
DF-14W-U=1' x 4' Drywall Frame Kit
DF-22W-U=2' x 2' Drywall Frame Kit
DF-24W-U=2' x 4' Drywall Frame Kit
SK-22-WS=2' x 2' Shallow Surface Mount Kit
SK-24-WS=2' x 4' Shallow Surface Mount Kit
SK-14-WT=1' x 4' Tall Surface Mount Kit
SK-22-WT=2' x 2' Tall Surface Mount Kit
SK-24-WT=2' x 4' Tall Surface Mount Kit

Photometric Data

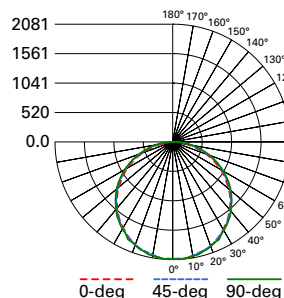
[View IES files](#)



14ARS-L3C3-UNV-4000K-HI
 Electronic Driver
 Linear LED 4000K
 Spacing criterion: (II) 1.26 x mounting height, (L) 1.28 x mounting height
 Lumens: 4647
 Input Watts: 32.9W
 Efficacy: 141 LPW
 Test Report: 14ARS-L3C3-UNV-4000K-HI.IES



22ARS-L3C3-UNV-4000K-HI
 Electronic Driver
 Linear LED 4000K
 Spacing criterion: (II) 1.26 x mounting height, (L) 1.28 x mounting height
 Lumens: 4308
 Input Watts: 32.9W
 Efficacy: 131 LPW
 Test Report: 22ARS-L3C3-UNV-4000K-HI.IES



24ARS-L3C3-UNV-4000K-HI
 Electronic Driver
 Linear LED 4000K
 Spacing criterion: (II) 1.27 x mounting height, (L) 1.29 x mounting height
 Lumens: 6254
 Input Watts: 45.5W
 Efficacy: 138 LPW
 Test Report: 24ARS-L3C3-UNV-4000K-HI.IES

Achieva Product Specifications

Construction

- Die formed of code gauge prime cold rolled steel in one-piece housing design
- Four auxiliary fixture end suspension points
- Integral formed one-piece housing improves aesthetic design removing end plate light gaps
- Integrated T-Grid clip design for screw installation to the grid where required by code and in "earthquake" zones

Integrated Controls

- Standard 0-10V dimming driver down to 5%
- Integrated WaveLinX options provide wireless individual fixture control and enable code compliance, increased energy savings, grouping of fixtures, and connection to WaveLinX control system
- Available in 80 CRI or 90 CRI color quality

LED and Light Engine

- Selectable Color temperature choices 3500K, 4000K, and 5000K
- Selectable lumen output up to 8000 lumens, with choices of low, medium, high
- TM21 life at 60,000 hours up to L94 and calculated L70 exceeds 290,000 hrs.
- Driver 120-277V Standard

Emergency Options

- Optional emergency battery available in 7W and 14W
- 90-minute backup period for code compliance
- Factory installed integral test switch visible from room side

Finish

- Powder Coat matte white
- 90% reflective, matte white enamel finish
- Full fixture housing painted after fabrication

Shielding

- Rounded ribbed frosted lens standard
- Square ribbed frosted lens option

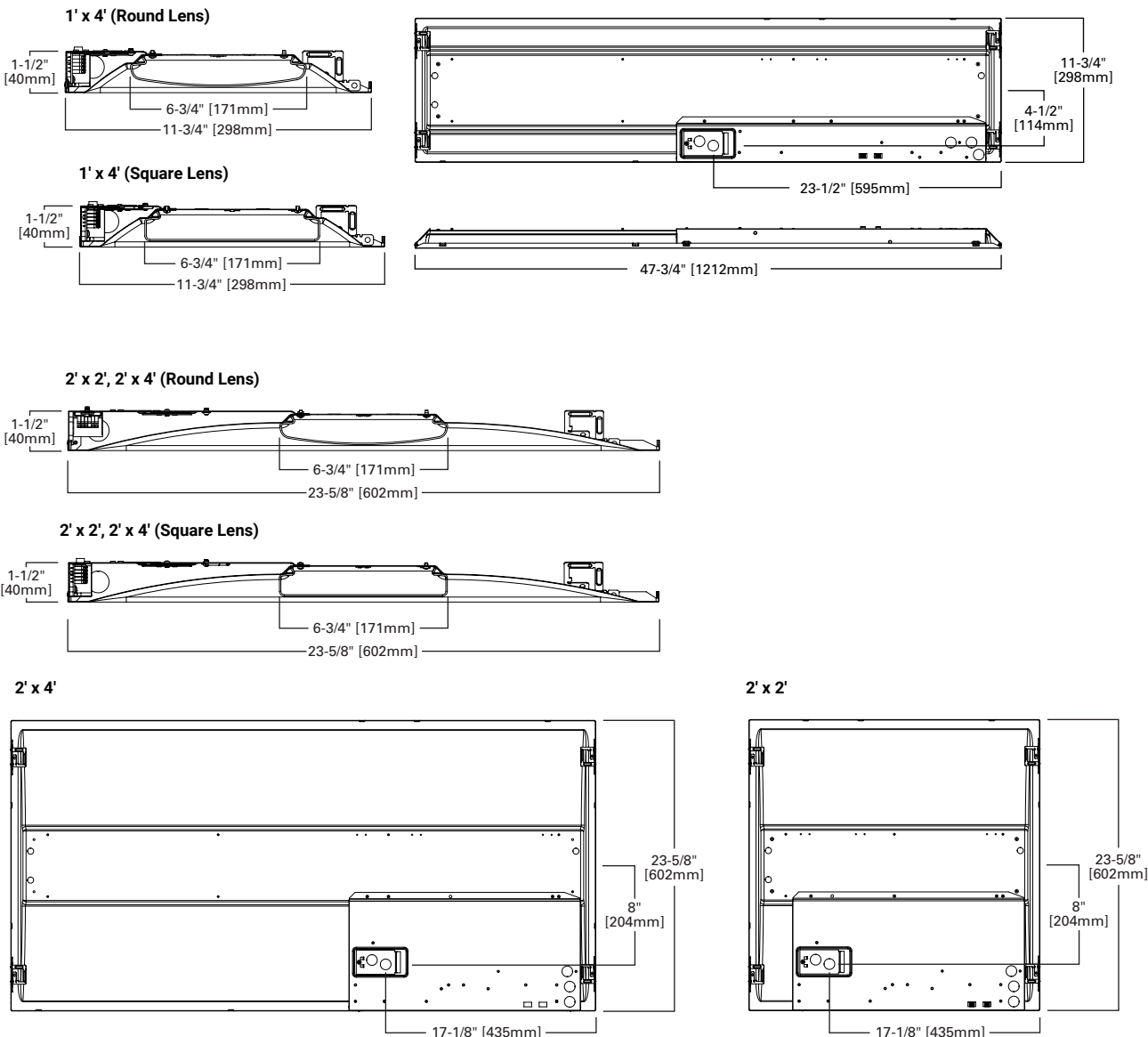
Compliance

- IC rated for insulation contact
- cULus listed for damp locations
- RoHS compliant
- Tested to IESNA LM-79 and LM-80
- Stated life tested to TM21 standards
- Can be used for State of California Title 24 high efficacy luminaire
- Can be used for Non-residential T24
- DesignLights Consortium® Qualified and classified for DLC Standard and DLC Premium (refer to www.designlights.org)

Limited Warranty

- Five-year warranty standard. Optional ten year warranty available.

Dimensional and Mounting Details - Round Lens



Control Solutions

- WaveLinX LITE wireless
- WaveLinX PRO wireless
- WaveLinX CAT wired
- WaveLinX Wired



The ARS with WaveLinX offers no-hassle lighting control with multiple luminaire level control solutions.



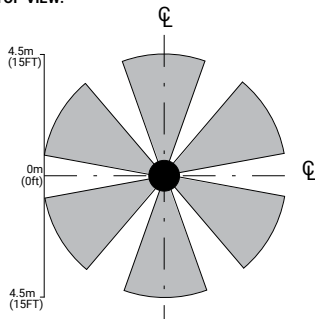
WaveLinX PRO is a wireless lighting control solution, for connected spaces, that significantly reduces a building's energy consumption. From a single floor to an entire campus, WaveLinX PRO connects more than lighting assets; it shares aggregated sensor data with the WaveLinX CORE platform and other building systems, so building owners can improve operations, spaces environment, and tenants' experience. WaveLinX PRO offers a rich portfolio of wireless devices, WaveLinX PRO-enabled luminaires, and an intuitive WaveLinX mobile app for office, education, warehouse, and parking garage applications.



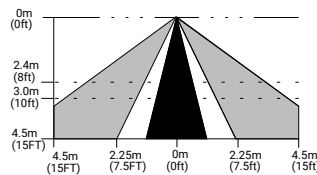
WaveLinX LITE is a cost effective, wireless digital lighting control solution, with out-of-the-box functionality, that saves energy and meets code. It's designed for applications that require occupancy-based, daylighting, or manual light control. Customize installations for office, education, warehouse and parking garages using the secure, simple mobile app.

Integrated Sensor Coverage Pattern

TOP VIEW:

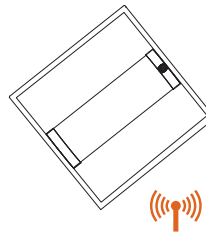


SIDE VIEW:

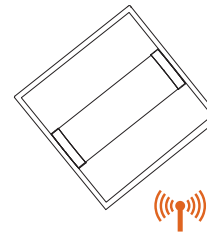


Note: Installation of integrated sensors within 3-ft (1m) of HVAC air vents is not recommended. The pattern shown is intended solely as a general guide and is not to scale.

With Integrated WaveLinX Sensor



With Integrated WaveLinX Node



Add a hidden WaveLinX sensor node (WPN, WLN) to your space lighting design!

Allows to:

- Keeps luminaire aesthetics
- Connect fixtures without the realstate to include sensor option such as downlights
- Connect sealed fixtures without a standard sensor option such as products for clinical space.

Integrated Controls Options

Option	Out of the Box Functionality	Luminaire Level Lighting Control (LLC)	Automatic Dimming Photocell	Occupancy Sensing	CCT Control
WLS	X	X	X	X	
WLN		X			
WPS		X	X	X	X
WPN		X			X

Note: WaveLinX utilizes scenes to allow users to change an area's fixtures Correlated Color Temperature (CCT) and intensity using commissioned manual wireless wallstation scene control. To enable CCT adjustments through WaveLinX, include WPS or WPN devices in addition to VividTune or BioUp technologies for integrated fixture control.

Systems comparison chart

Cooper Lighting Solutions provides many lighting system solutions designed to satisfy code requirements and meet the unique needs of any project.



Luminaire with standalone sensor



Standalone Spaces WaveLinX LITE



Standalone Spaces WaveLinX CAT



Networked Spaces WaveLinX PRO



Enterprise WaveLinX CORE

	Luminaire with standalone sensor	Standalone Spaces WaveLinX LITE	Standalone Spaces WaveLinX CAT	Networked Spaces WaveLinX PRO	Enterprise WaveLinX CORE
Occupancy	Yes	Yes	Yes	Yes	Yes
Daylighting	Yes	Yes	Yes	Yes	Yes
Wallstations	-	Yes	Yes	Yes	Yes
Gateways	-	-	-	1 WAC	300 WACs
Devices (MAX)	-	40 per Area (1120 per space)	40 per Area	200 per WAC2	32,500 per CORE Enterprise
Software	-	WaveLinX LITE Mobile App	WaveLinX CAT Mobile App	WaveLinX Mobile App	CORE
Areas	-	28 per Space	Unlimited	50 per WAC2	up to 3,000
Zones	-	16 per Area	16 per Area	16 per Area	up to 9,000
Scheduling	-	-	-	Local	Global
VividTune™	-	-	-	Yes	Yes
Plug-Load Control	-	Yes	Yes	Yes	Yes
Low-Voltage Power	-	-	Yes	Yes	Yes
Integration	-	-	-	-	BACnet, API
Dashboards	-	-	-	-	Energy, Occupancy
Configuration	-	Installer	Installer	Technician	Technician / IT