

Project		Catalog #		Type	
Prepared by		Notes		Date	



Lumark

Night Harrier Large

Floodlight Luminaire

Product Features



Product Certifications



Interactive Menu

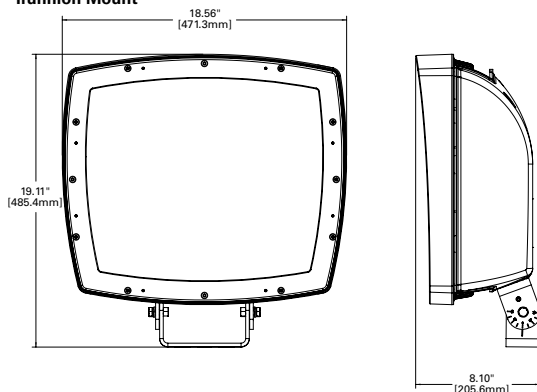
- Ordering Information [page 2](#)
- Product Specifications [page 2](#)
- Mounting & Accessory Details [page 3](#)
- Energy and Performance Data [page 5](#)

Quick Facts

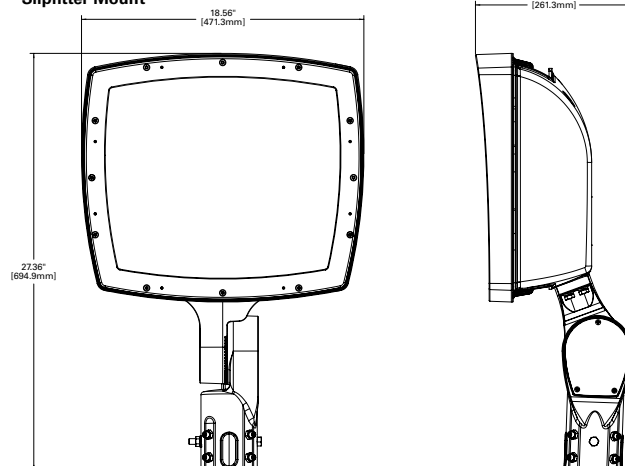
- Selectable CCT 3000K-4000K-5000K
- Selectable lumens 11,000 - 43,000
- Replaces 70W to 1000W HID floodlights
- High efficiency: up to 170 lm/W
- Operates at -40°C to 40°C (-40°F to 104°F)
- Integral 6kV surge protection

Dimensional Details

Trunnion Mount



Slipfitter Mount



NOTES:
 1. 1.5G rated when using a trunnion mount.
 2. 3G rated when using a slipfitter mount.

Stock Ordering Information

Model Number ¹	Lumens/Wattage	CCT Selectable	Voltage	Mounting	Controls
NHRS100UT	Selectable Lumens: 11,000 - 44,000 / 40-155W	3000K-4000K-5000K / 70 CRI	120 - 277V	Trunnion	-
NHRS100US	Selectable Lumens: 11,000 - 44,000 / 40-155W		120 - 277V	Slipfitter ²	-
NHRS100HT	Selectable Lumens: 11,000 - 44,000 / 40-155W		347 - 480V	Trunnion	-
NHRS100HS	Selectable Lumens: 11,000 - 44,000 / 40-155W		347 - 480V	Slipfitter ²	-

NOTES:

- All stock models are NEMA 6H x 6V Wide Distribution and Carbon Bronze finish.
- Fits 2-3/8" O.D. tenon, wire leads run through slipfitter.

Ordering Information

Sample Number: NHRS100U3TBK-PER

Product Family ^{1,2}	Light Engine Configuration	Voltage	Distribution	Mounting	Finish	Options
NHR=Night Harrier Floodlight BAA-NHR=Night Harrier Floodlight, BAA Buy American Act Compliant ³ TAA-NHR=Night Harrier Floodlight, TAA Trade Agreements Act Compliant ³	S100=Up to 1000W HID Replacement, 4 position selectable lumens, 3 CCT Select (3000K-4000K-5000K)	U=Universal, 120-277V H=High Voltage, 347-480V	[Blank]=NEMA 6H x 6V Wide 33=NEMA 3H x 3V Spot	T=Trunnion S=Slipfitter	[Blank]=Carbon Bronze AP=Grey BK=Black BZ=Textured Bronze DP=Dark Platinum GM=Graphite Metallic WH=Textured White WT=Summit White	PER=NEMA 3-PIN Twistlock Photocontrol Receptacle PER7=NEMA 7-PIN Twistlock Photocontrol Receptacle

NOTES:

- DesignLights Consortium® Qualified. Refer to www.designlights.org Qualified Products List under Family Models for details.
- Customer is responsible for engineering analysis to confirm pole and fixture compatibility for applications. Refer to installation instructions and pole white paper WP513001EN for additional support information.
- Only product configurations with these designated prefixes are built to be compliant with the Buy American Act of 1933 (BAA) or Trade Agreements Act of 1979 (TAA), respectively. Please refer to DOMESTIC PREFERENCES website for more information. Components shipped separately, may be separately analyzed under domestic preference requirements.

Accessory Ordering Information

Accessories (Order Separately) ^{2,3,5}	
NHR100-TS2-XX=Top and Side Visors ^{1,4} NHR100-WG=Wire Guard ⁴ NHR100-LK-XX=Lens Kit ¹ NHR100-SK-XX=Slipfitter Kit ¹	OA/RA1013=Photocontrol Shorting Cap OA/RA1014=NEMA Photocontrol - 120V OA/RA1016=NEMA Photocontrol - Multi-Tap 105-285V OA/RA1021=NEMA Photocontrol - 347V OA/RA1027=NEMA Photocontrol - 480V

NOTES:

- Replace XX with paint color.
- For BAA or TAA requirements, Accessories sold separately will be separately analyzed under domestic preference requirements. Consult factory for further information.
- Accessories sold separately will be separately analyzed under domestic preference requirements. Consult factory for further information.
- Cannot combine NHR100-TS2 (Top and Side Visor) and WG (Wire Guard), limited to one external guard per fixture.
- Order accessories as separate items for field installation. Refer to standard ordering information to add options. Refer to In-Stock Guide for availability.

Product Specifications

Construction

- Die-cast aluminum housing
- Durable powder coated surface
- Fully sealed tempered glass
- Top and Side Visor constructed of steel with a poly powder coat finish
- Wire Guard constructed of 11-gauge wire in a 1"x1" cell pattern. Chrome color poly powder coat finish
- Removable faceplate allows easy lens replacement. Lens replacement kit must specify finish and ordered separately as an accessory
- Fixture IK08 rating without wire guard accessory

Controls

- Selectable configurations offer internal toggle switches for adjusting luminaire CCT and lumens.
- Default settings for selectable luminaires are 4000K CCT and maximum lumen output.
- NEMA 3-PIN twistlock photocontrol receptacle and NEMA 7-PIN twistlock photocontrol receptacles are available as options.

Electrical

- Suitable for use in 40°C to 40°C ambient temperatures
- >.9 power factor
- <20% total harmonic distortion
- Class P driver incorporates integral 6kV surge protection
- 3 ft type STWA outdoor rated cable with pre-stripped wires included with trunnion and slipfitter mounting options.

Mounting

- Slipfitter:
Suitable for 2-3/8" OD tenons.
- Trunnion:
Suitable for mounting within 4' (1.2 m) of the ground.

Tilt degree

- Slipfitter:
-5° to +145° in 5° increments
- Trunnion:
-90° to +90° in 22.5° increments

Finish

- Carbon Bronze standard / other colors available

Typical Applications

- Parking Lot Illumination
- Building lighting
- Sign lighting
- Commercial lighting

EPA

- Effective Projected Area (Sq. Ft.): EPA 2.33

Shipping Data

- Case Dimensions and Approximate Net Weight:
20.6 x 24.2 x 11.9 (in) | 43 lbs.
- Full pallet Dimensions and Approximate Net Weight:
42 x 50 x 52.4 (in) | 735 lbs.
Maximum pallet height: 54 in.
Pallet qty: 16
Layers x Cases: 4 x 4

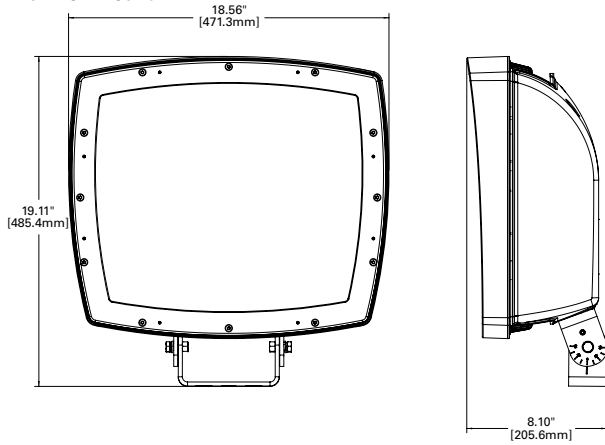
Warranty

- Five-year limited warranty. Consult website for details. www.cooperlighting.com/legal

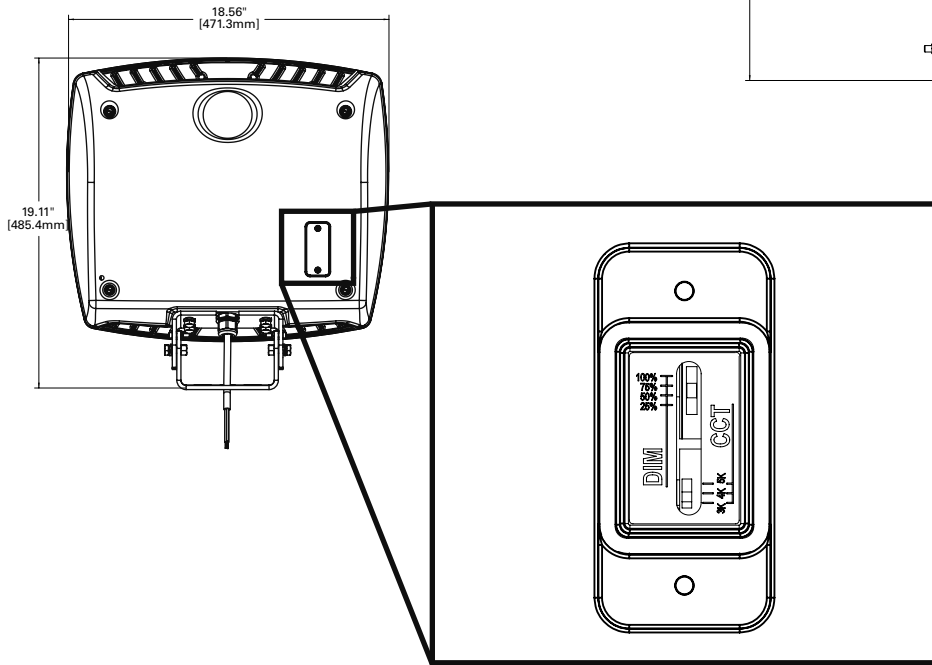
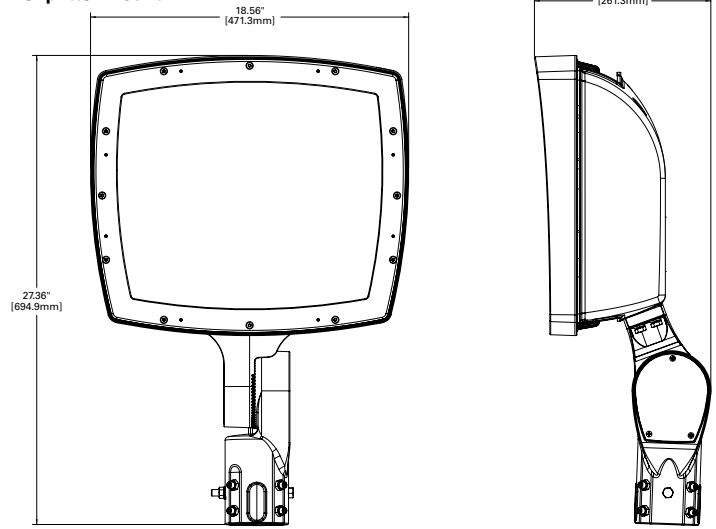
Mounting & Accessory Details

Mounting Types

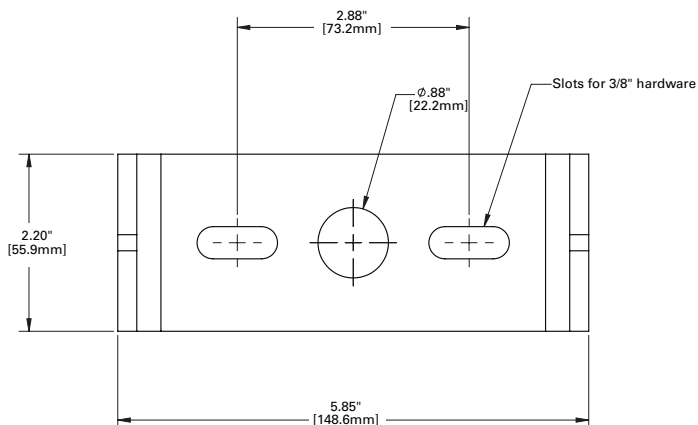
Trunnion Mount



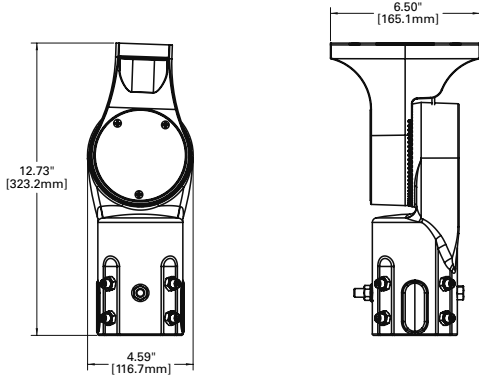
Slipfitter Mount



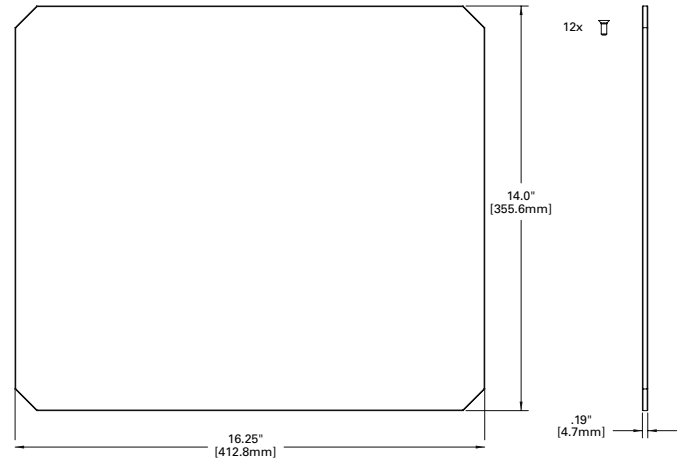
Mounting hole pattern



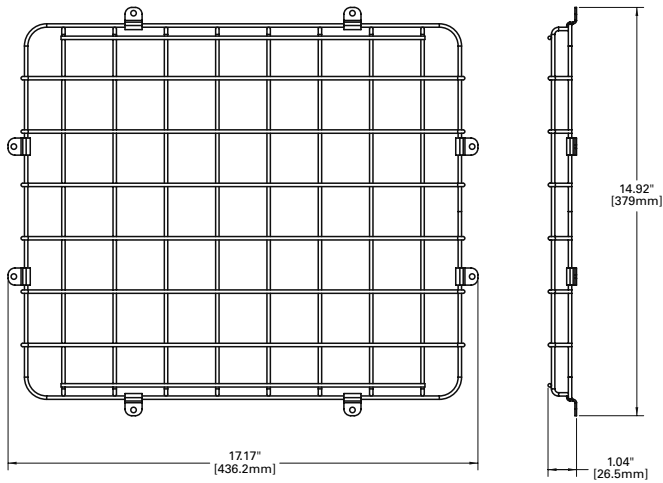
NHR100-SK-XX = Slipfitter Kit



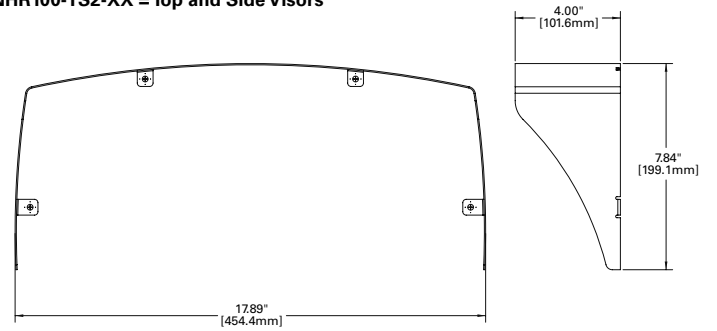
NHR100-LK-XX = Lens Kit



NHR100-WG = Wire Guard



NHR100-TS2-XX = Top and Side Visors



Energy and Performance Data

Power and Lumens

S100	6x6			3x3		
	NHRS100730	NHRS100740	NHRS100750	NHRS100730	NHRS100740	NHRS100750
Power(Watts)	293	288	297	293	288	297
Lumens	36329	42365	39518	35036	40688	37966
Lumens per Watt	123.9	147	133	119.5	141.2	127.8
Input Current @ 120V (A)	2.5	2.4	2.5	2.5	2.4	2.5
Input Current @ 277V (A)	1.08	1.05	1.1	1.08	1.05	1.1
Input Current @ 347V (A)	0.87	0.85	0.88	0.87	0.85	0.88
Input Current @ 480V (A)	0.63	0.61	0.64	0.63	0.61	0.64

Lumen Maintenance

Ambient Temperature	TM-21 Lumen Maintenance 50,000 hours*	Theoretical L70 (Hours)
Up to 40°C	94.18%	> 60,000

Lumen Multiplier

Ambient Temperature	Lumen Multiplier
10°C	1.04
15°C	1.02
25°C	1.00
40°C	0.96

Selectable Lumen Settings

Dim Switch Position	Percent of Typical Lumen Output
25	25%
50	50%
75	75%
100	100%