

Project		Catalog #		Type	
Prepared by		Notes		Date	



Lumark

Night Harrier Medium

Floodlight Luminaire

Product Features



Interactive Menu

- Ordering Information page 2
- Product Specifications page 2
- Mounting Details page 3
- Energy and Performance Data page 4

Quick Facts

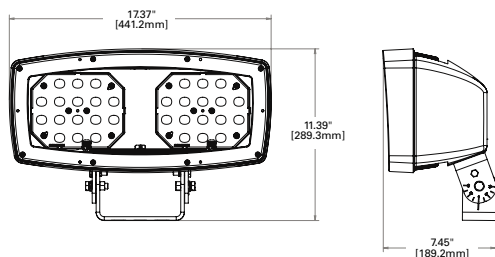
- Selectable CCT 3000K-4000K-5000K
- Selectable lumens 5,500-22,000
- Replaces 70W to 500W HID floodlights
- High efficiency: up to 145 lm/W
- Operates at -40°C to 40°C (-40°F to 104°F)
- Integral 6kV surge protection

Product Certifications

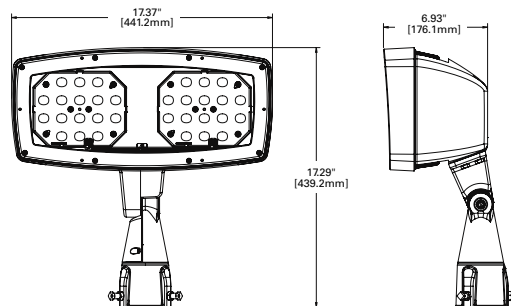


Dimensional Details

Trunnion Mount



Slipfitter Mount



Stock Ordering Information

Model Number ¹	Lumens/Wattage	CCT Selectable	Voltage	Mounting	Controls
NHRS50UT	Selectable Lumens: 5,500 - 22,000 / 40-155W	3000K-4000K-5000K / 70 CRI	120 - 277V	Trunnion	-
NHRS50US	Selectable Lumens: 5,500 - 22,000 / 40-155W		120 - 277V	Slipfitter ²	-
NHRS50HT	Selectable Lumens: 5,500 - 22,000 / 40-155W		347 - 480V	Trunnion	-
NHRS50HS	Selectable Lumens: 5,500 - 22,000 / 40-155W		347 - 480V	Slipfitter ²	-
NHRS50UT-BPC	Selectable Lumens: 5,500 - 22,000 / 40-155W		120 - 277V	Trunnion	Button-type photocontrol
NHRS50US-BPC	Selectable Lumens: 5,500 - 22,000 / 40-155W		120 - 277V	Slipfitter ²	Button-type photocontrol

NOTES:

- All stock models are NEMA 6H x 6V Wide Distribution and Carbon Bronze finish.
- Fits 2-3/8" O.D. tenon, wire leads run through slipfitter.

Ordering Information

Sample Number: NHRS50U33TBK-BPC

Product Family ^{1,2}	Light Engine Configuration	Voltage	Distribution	Mounting	Finish	Options
NHR = Night Harrier Floodlight BAA-NHR = Night Harrier Floodlight, BAA Buy American Act Compliant ³ TAA-NHR = Night Harrier Floodlight, TAA Trade Agreements Act Compliant ³	S50 = Up to 500W HID Replacement, 4 position selectable lumens, 3 CCT Select (3000K-4000K-5000K)	U = Universal, 120-277V H = High Voltage, 347-480V	[Blank]=NEMA 6H x 6V Wide 33=NEMA 3H x 3V Spot	T=Trunnion S=Slipfitter	[Blank]=Carbon Bronze AP= Grey BK= Black BZ=Textured Bronze DP=Dark Platinum GM=Graphite Metallic WH=Textured White WT=Summit White	BPC= Buttontype Photocontrol ⁴

NOTES:

- DesignLights Consortium® Qualified. Refer to www.designlights.org Qualified Products List under Family Models for details.
- Customer is responsible for engineering analysis to confirm pole and fixture compatibility for applications. Refer to installation instructions and pole white paper WP513001EN for additional support information.
- Only product configurations with these designated prefixes are built to be compliant with the Buy American Act of 1933 (BAA) or Trade Agreements Act of 1979 (TAA), respectively. Please refer to DOMESTIC PREFERENCES website for more information. Components shipped separately, may be separately analyzed under domestic preference requirements.
- Not available with H (347-480V) Voltage option.

Accessory Ordering Information

Accessories (Order Separately) ^{2,3,5}
NHR50-TS2-XX = Top and Side Visors ^{1,4} NHR50-WG = Wire Guard ⁴ NHR50-LK-XX = Lens Kit ¹ NHR50-SK-XX = Slipfitter Kit ¹

NOTES:

- Replace XX with paint color.
- For BAA or TAA requirements, Accessories sold separately will be separately analyzed under domestic preference requirements. Consult factory for further information.
- Accessories sold separately will be separately analyzed under domestic preference requirements. Consult factory for further information.
- Cannot combine NHR50-TS2 (Top and Side Visor) and WG (Wire Guard), limited to one external guard per fixture.
- Order accessories as separate items for field installation. Refer to standard ordering information to add options. Refer to In-Stock Guide for availability.

Product Specifications

Construction

- Die-cast aluminum housing
- Durable powder coated surface
- Fully sealed tempered glass

Controls

- Selectable configurations offer internal toggle switches for adjusting luminaire CCT and lumens.
- Default settings for selectable luminaires are 4000K CCT and maximum lumen output.
- Optional integrated button-type photocontrol for dusk-to-dawn operation.
- To disable the photocontrol, place the provided cap over the sensor.

Electrical

- 40°C minimum operating temperature
- 40°C maximum operating temperature
- >.9 power factor
- <20% total harmonic distortion
- Class P driver incorporates internal fusing designed to withstand 6kV surge

Mounting

- Slipfitter:
Suitable for 2-3/8" OD tenons.
- Trunnion:
Suitable for mounting within 4' (1.2 m) of the ground.

Finish

- Carbon Bronze standard / other colors available

Typical Applications

- Facade
- Wall washing
- Landscape lighting
- Building lighting
- Sign lighting
- Commercial lighting

EPA

- Effective Projected Area (Sq. Ft.):
EPA 1.25

Shipping Data

- Case Dimensions and Approximate Net Weight:
18.85 x 17.85 x 8.35 (in) | 26 lbs.
- Full pallet Dimensions and Approximate Net Weight:
37.7 x 35.7 x 41.75 (in) | 520 lbs.
Maximum pallet height: 55 in.
Pallet qty: 20
Layers x Cases: 4 x 5

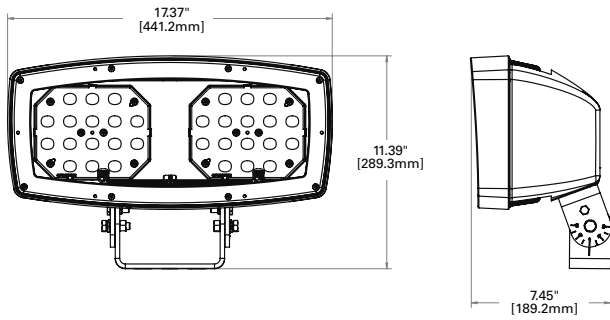
Warranty

- Five-year limited warranty. Consult website for details. www.cooperlighting.com/legal

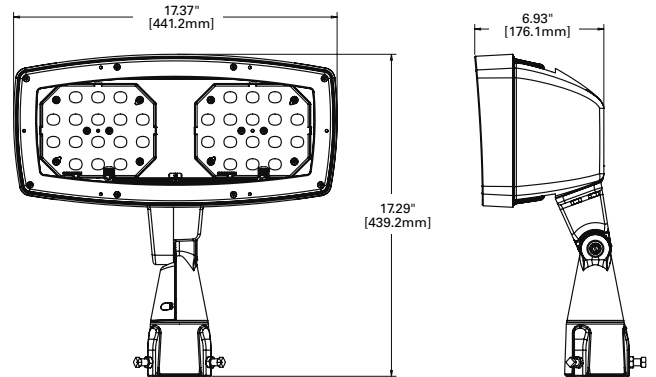
Mounting Details

Mounting Types

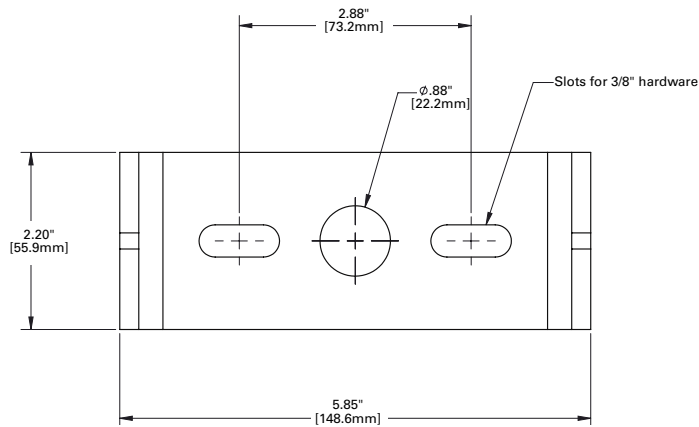
Trunnion Mount



Slipfitter Mount



Mounting hole pattern



Energy and Performance Data

 [View Night Harrier Medium IES files](#)

Power and Lumens

S50	6x6			3x3		
	NHRS50730	NHRS50740	NHRS50750	NHRS50730	NHRS50740	NHRS50750
Power(Watts)	154	150	155	154	150	155
Lumens	19074	21718	20645	17922	20287	19309
Lumens per Watt	124.20	145.10	133.50	116.60	135.70	124.90
Input Current @ 120V (A)	1.28	1.25	1.29	1.28	1.25	1.29
Input Current @ 277V (A)	0.55	0.54	0.56	0.55	0.54	0.56
Input Current @ 347V (A)	0.44	0.43	0.45	0.44	0.43	0.45
Input Current @ 480V (A)	0.32	0.31	0.32	0.32	0.31	0.32

Lumen Maintenance

Ambient Temperature	TM-21 Lumen Maintenance 50,000 hours*	Theoretical L70 (Hours)
Up to 40°C	94.18%	> 60,000

Lumen Multiplier

Ambient Temperature	Lumen Multiplier
10°C	1.04
15°C	1.02
25°C	1.00
40°C	0.96

Selectable Lumen Settings

Dim Switch Position	Percent of Typical Lumen Output
25	25%
50	50%
75	75%
100	100%