

Catalog #		Date		Prepared by	
Project		Type		Notes	

# HALO™

OUTDOOR LIGHTING



## WXP - SEMI CUTOFF TRADITIONAL WALL PACK

WITH ADJUSTABLE BRIGHTNESS & CCT SELECT TECHNOLOGY

**SMALL WALLPACK**

**4000K BRIGHT WHITE** | **4000 LUMENS**

**ON** **OFF**  
Turn Photocell ON/OFF

**DIE-CAST METAL CONSTRUCTION**

**SLIM PROFILE**

TRADITIONAL SEMI-CUTOFF LED WALL PACK | 120-277V INPUT | SMALL & MEDIUM-SIZE BRONZE HOUSING | GLASS LENS WITH ADJUSTABLE BRIGHTNESS & CCT SELECT TECHNOLOGY

The WXP Wall Pack is a slim-profile traditional wall pack that offers a modern design and features while remaining an economical solution. With its lightweight design and versatile range of features, the WXP is excellent for any job, large or small.

### TOP PRODUCT FEATURES

**Selectable up to 12000 LUMENS**



**MEDIUM WALLPACK**

**Selectable LUMENS** | **3 selectable CCT colors**

**ON** **OFF**  
Turn Photocell ON/OFF

**DIE-CAST METAL CONSTRUCTION**

**SLIM PROFILE**



- 2 Sizes available in small and medium size that cover traditional HID footprints
- Small size has dedicated 4000 lumen and 4000K color temperature
- Medium Sizes come with 3 Selectable light color temperatures (3000K, 4000K, & 5000K)
- Medium Sizes come with 3 adjustable brightness settings (Low, Medium, High)
- Integrated Photocell for Dusk to Dawn operation that can be turned off for manual switch operation
- Constructed of rugged die-cast aluminum housing in textured bronze finish.
- 50,000 hours of rated life
- UV-resistant prismatic Glass lens distributes light evenly with low glare
- IP65 rated for outdoor use
- Universal power supply 120-277V, with 0-10V Dimmability down to 10%
- 5-year warranty

### PRODUCT CERTIFICATION



\*DLC listing will be completed within Q1-2023

### Interactive Menu

- [Order Information](#) page 2
- [Product Specification](#) page 4
- [Product Warranty](#) page 4
- [Product Dimensions](#) page 3
- [Photometric Data](#) page 4

### TYPICAL APPLICATIONS



#### COMMERCIAL OUTDOOR

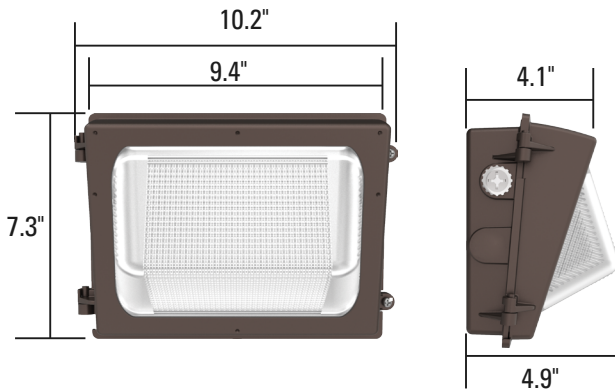
- Garages
- Carports
- Loading Bays
- Warehouses
- Apartment Complexes
- Hotels
- Offices and General Security Lighting

### ORDER INFORMATION

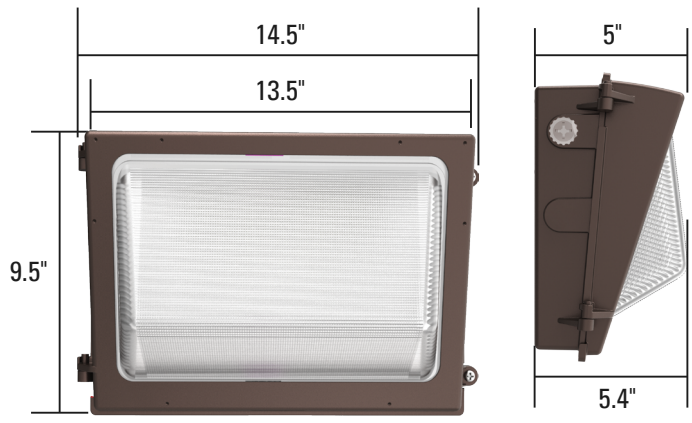
Catalog Number	Description	Material no.	UPC	Case Qty	Case Dimensions (in.)			Weight (lbs)
					L	W	H	
WXPS40UNVDBZ	TRD WPX DCST 30W 3.7KLM 4000K D2D UNV BZ	13605828	080083260720	2	12.8	9.3	11.5	11.0
WXPM80LSFSUNVDBZ	TRD WPX DCST 60W 7.8KLM 3CCT D2D UNV BZ	13605829	080083260744	2	13.3	10.7	16.3	19.3
WXPM120LSFSUNVDBZ	TRD WPX DCST 100W 11.7KLM 3CCT D2D UNV BZ	13605830	080083260768	2	14.0	12.0	16.3	19.8

### PRODUCT DIMENSIONS

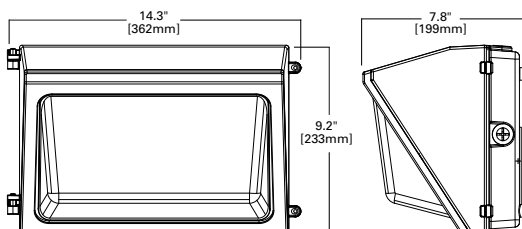
#### SMALL - 30W



#### MEDIUM - 60W / 90W



### OLDER GENERATION LED WALL PACK



### PRODUCT SPECIFICATIONS

#### Construction

- Durable die-cast aluminum housing that is IP65 Rated protected against water and dust.
- Glare-free UV, & impact resistant Glass prismatic lens
- Rust-resistant powder-coated bronze finish
- Suitable for wall mounting on recessed Junction boxes or surface mounted using one of 4 conduit entry points on each side.
- 2 Weep holes located on the bottom of the fixture to allow water to drain in event fixture not properly sealed with silicone bead

#### Integrated Controls

- Dusk to Dawn (Nighttime on / Daytime off) via Integrated photocell sensor that can be manually turned off with switch-activated control

#### Mounting

- Easily mounts to standard recessed junction boxes

- Contains (4) 1/2-inch NPT threaded knockout on the bottom, top & sides of the fixture for surface wiring
- Mounting hardware included in package

#### Electrical

- Small Wall Pack - 30W 3600 lumens of maximum brightness.
- Medium Wall Pack - 60W 7500 lumens of maximum brightness and 90W 11700 lumens of maximum brightness
- Medium Wall Pack - Low, Medium, & High Lumen Selectable settings for adjusting the fixture's brightness.
- 3 Selectable light color temperature settings – 3000K / 4000K / 5000K
- Maintenance -free LEDs with estimated 50,000 hours lifespan based on LM-80 results and TM-21 calculations.
- Rated for ambient operating temperature range from -40°F (-40°C) to 104°F (40°C)
- Electrical operating voltage 120-277V, 50/60Hz
- THD ≤ 20%; Power factor ≥ 90%
- CRI >70

- 0-10V Dimmable down to 10%
- Surge Protection
  - Small Wallpack - 2kV
  - Medium Wallpack - 4kV

#### Compliance

- UL certified for USA and Canada for wet locations
- Contains no mercury or lead - RoHS compliant (RoHS 2.0)
- DLC 5.1 Standard Listed
- IP65 rated & sealed against dust & water perfect for demanding outdoor applications

#### Finish

- Rust-resistant textured bronze powder coat finish that provides superior resistance to weathering and corrosion

#### Warranty

- Five year limited warranty, consult website for details. [www.cooperlighting.com](http://www.cooperlighting.com)

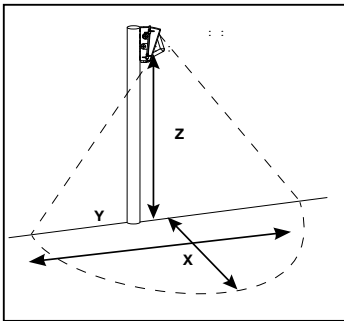
### PHOTOMETRIC DATA

Catalog Number	Power	CCT	Lumens	Efficacy	Voltage	Dimming	CRI	Lifespan	Photocell	Legacy Equivalent
WXPS40UNVDBZ	30W	4000K	3719	123	120-277V	0-10V	>70	50,000 Hrs	Integrated Button On/Off	100W Metal Halide
WXPM80LSFSUNVDBZ	60W	3000K	6948	118						250W Metal Halide
		4000K	7583	134						
		5000K	7520	128						
	50W	3000K	5914	122						
		4000K	6459	138						
		5000K	6461	133						
40W	3000K	4942	127							
	4000K	5372	141							
	5000K	5477	139							
WXPM120LSFSUNVDBZ	90W	3000K	10815	120						400W Metal Halide
		4000K	12027	138						
		5000K	12000	133						
	80W	3000K	9613	125						
		4000K	10520	141						
		5000K	10622	138						
	70W	3000K	8727	127						
		4000K	9548	143						
		5000K	9794	142						

### ELECTRICAL DATA

Catalog Number	Power	120V	208V	240V	277V
WXPS40UNVDBZ	30W	0.31A	0.18A	0.15A	0.13A
WXPM80LSFSUNVDBZ	60W	0.62A	0.35A	0.31A	0.26A
WXPM120LSFSUNVDBZ	90W	0.92A	0.53A	0.46A	0.40A

### SUGGESTED MOUNTING HEIGHT



X = Forward Throw  
Y = Wall Spread  
Z = Mounting Heights

Notes:  
Forward throw X = 1/2 Y for wall-mount applications only  
See IES files for detailed photometry

Minimum Footcandles (FC)		0.50 FC									
Mounting Height (Z)		10'		15'		20'		30'		35'	
Catalog Number	Lumens	X	Y	X	Y	X	Y	X	Y	X	Y
WXPS40UNVDBZ	3719	25	25	27	28	29	33	/	/	/	/
WXPM80LSFSUNVDBZ	7583	34	30	36	34	42	44	45	51	/	/
WXPM120LSFSUNVDBZ	12027	39	34	42	39	49	48	53	54	57	58