

IL51879322

**HALO**

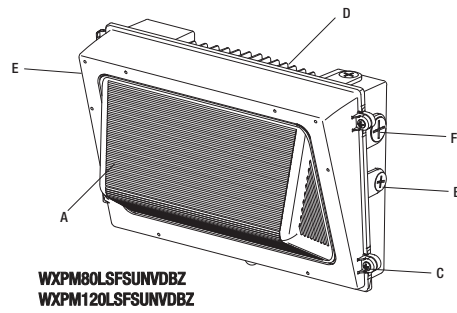
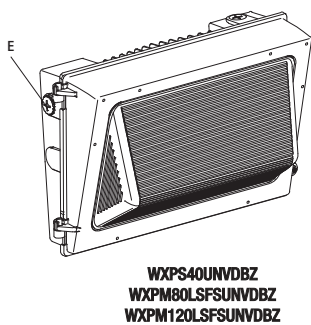
## LED Wall Pack Instructions

Instructions pour le projecteur à LED

Instrucciones de luz de inundación LED

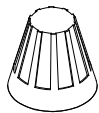
WXPS40UNVDBZ  
WXPM80LSFSUNVDBZ  
WXPM120LSFSUNVDBZ

### Packaging Contents | Contenu de l'emballage | Contenidos del embalaje



Part	Description	Quantity
A	Light fixture	1
B	Conduit entry plug	4
C	Mounting base screw (pre-installed)	2
D	Mounting base	1
E	Photocell	1
F	CCT/Wattage Switch	1

### Hardware Included | Matériel inclus | Herrajes incluidos



AA



BB



CC

Part	Description	Quantity
AA	P3 Wire nut / P3 Fil écrou / Tuerca de cable P3	3
BB	P2 Wire nut / P2 Fil écrou / Tuerca de cable P2	2
CC	EVA foam	1

#### ITEMS REQUIRED

(Purchase separately)

1. Philips Screwdriver
2. Safety Goggles
3. Silicone Sealant
4. Wire Strippers / Cutter
5. Circuit Tester
6. Adjustable Wrench
7. Work Gloves
8. Ladder
9. Power Drill

#### ARTICLES NÉCESSAIRES

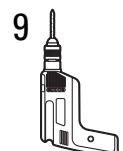
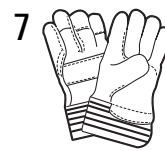
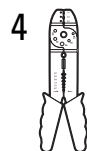
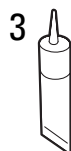
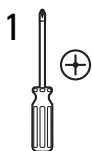
(à acheter séparément)

1. Tournevis Philips
2. Lunettes de sécurité
3. Scellant au silicone
4. Pincés à dénuder/Cutter
5. Testeur de circuit
6. Clé à molette
7. Gants de travail
8. Échelle
9. Perceuse électrique

#### ARTÍCULOS NECESARIOS

(se compran por separado)

1. Destornillador Philips
2. Gafas protectoras
3. Sellador de silicona
4. Pelacables/Cortador
5. Probador de circuitos
6. Llave ajustable
7. Guantes de trabajo
8. Escalera
9. Taladro eléctrico



Before installing the light fixture, ensure that all parts are present. Compare parts with the hardware Included and Package contents sections. If any part is missing or damaged, do not attempt to assemble, install or operate this light fixture.




Estimated installation time: 20 minutes


# IMPORTANT SAFETY INSTRUCTIONS

THIS PRODUCT MUST BE INSTALLED IN ACCORDANCE WITH THE APPLICABLE NATIONAL ELECTRICAL CODE AND LOCAL BUILDING CODES BY A PERSON FAMILIAR WITH THE CONSTRUCTION AND OPERATION OF THE PRODUCT AND THE HAZARDS INVOLVED.

- Please read and understand this entire manual before attempting to assemble, install or operate this light fixture.
- Save these instructions and warnings
- This light fixture requires a 120-277 Volt AC power source. Any other connection voids the warranty.
- Fixture should be installed by persons with experience in household wiring or by a qualified electrician.
- This light fixture must be properly grounded.
- Make sure connections are secure using wire nuts, crimp-on plugs or other UL approved connecting devices.
- This fixture should be installed outdoors to a wall or a pole.
- Disassembling your fixture will void the warranty.
- Always turn OFF the power before adjusting or servicing this light fixture, wear rubber soled shoes and use a wooden or insulated (non-grounded) ladder.
- This product may contain chemicals known to be hazardous. Thoroughly wash hands after installing, handling, cleaning or otherwise touching the product.

## **WARNING** READ AND FOLLOW THESE INSTRUCTIONS

 <b>WARNING:</b> Before installation or servicing, turn the power OFF at the circuit breaker or fuse. Place tape over the circuit breaker switch and verify power is OFF at the light fixture	 <b>WARNING:</b> RISK OF FIRE. Keep the lamp heads at least 3 in. (76 mm) from combustible materials.	<b>NOTICE:</b> Do not connect this fixture to a dimmer switch unless listed on dimmer compatibility list.
 <b>CAUTION:</b> BURN HAZARD. Allow the light fixture to cool before touching		<b>NOTICE:</b> FCC Regulations state that any unauthorized changes or modifications to this equipment not expressly approved by the manufacturer could void the user's authorization to operate this equipment.

 **IMPORTANT:** This device complies with part 15 Class A of the FCC Rules. Operation is subject to the following two conditions: (1) This device may not cause harmful interference, and (2) this device must accept any interference received, including interference that may cause undesired operation. These limits are designed to provide reasonable protection against harmful interference in a residential installation. This equipment generates, uses, and can radiate radio frequency energy and, if not installed and used in accordance with the instructions, may cause harmful interference to radio communications. However, there is no guarantee that interference will not occur in a particular installation. If this equipment does cause harmful interference to radio or television reception, which can be determined by turning the equipment OFF and ON, the user is encouraged to try to correct the interference by one or more of the following measures:

- Reorient or relocate the receiving antenna.
- Increase the separation between the equipment and receiver.
- Connect the equipment into an outlet on a circuit different from that to which the receiver is connected.
- Consult the dealer or an experienced radio/TV technician for help.

## PREPARING FOR INSTALLATION


### 1.The fixture can be mounted in the following two ways:

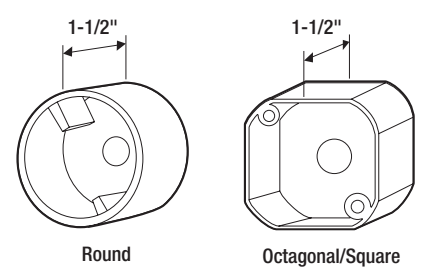
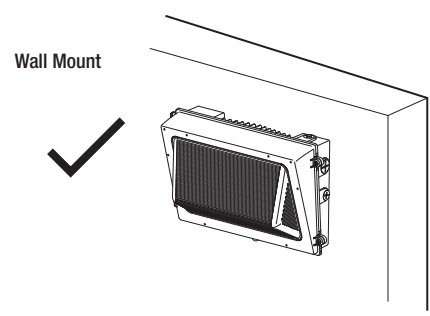
- Junction Box Mount: Use a junction box to mount the fixture.
- Surface Conduit Mount: The fixture can also be mounted directly on the wall surface using conduit entry.

**2.To ensure proper dusk-to-dawn operation, ensure the photocell is oriented at the top for a wall mount installation, in an area that receives daylight. Do not place too close to reflective surfaces.**

**3.When installing two fixtures on one switch,make sure the switch is rated for at least a 1A inductive load.**

**4.If dimming,use with 0-10V dimming switch.**

 **NOTE:** The mounting base (D) mounts to recessed mounted standard junction boxes or to the surface directly. Junction box must be at least 1-1/2 in. in depth for proper installation for a recessed mount application.

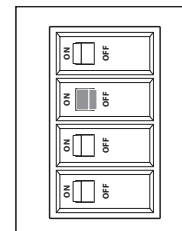


# INSTALLATION

## 1. TURN OFF THE ELECTRICITY

- Verify the wall switch is in the OFF position.
- Turn off power at the circuit breaker that supplies power to the outlet box you are working on.
- For screw-in type fuses unscrew the fuse that supplies power to the outlet box you are working on.

**WARNING:** Risk of electric shock. Disconnect power at fuse or circuit breaker before installing or servicing.



## 2. REMOVING THE MOUNTING BASE

**NOTE:** The mounting base screws (C) come pre-installed on the light fixture.

- Loosen the two mounting base screws (C) using a Phillips screwdriver to open the fixture.(Fig.1)
- The fixture opens sideways from the mounting base (D) and stays connected on the hinge. (Fig. 2)

**CAUTION:** DO NOT touch the LED and photocell lens (E) inside the fixture.DO NOT damage or soil the reflector.

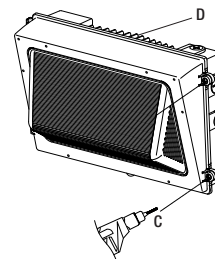


Fig. 1

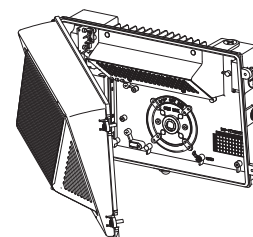
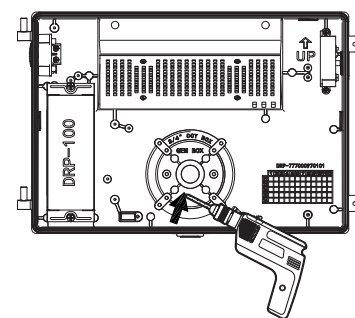


Fig. 2

## 3. REMOVING THE KNOCK OUTS ON THE MOUNTING BASE

- For junction box mount: Measure the size of your junction box and refer to the guide in the figure to select the holes to knock out.
- For 3-1/4 in. junction box: Knock out two holes in the inner ring.
- For 4 in. junction box: Knock out two holes on the outer ring.
- For surface mount: Measure the distance between two holes, pre-drill holes into the mounting surface, and drill holes on the desired ring accordingly.
- Use a power drill with a 1/4" drill bit to drill out the holes.

**NOTE:** If necessary, you may drill out mounting holes through the back plate housing to correspond with the junction box or wall surface for level mounting.



## 4. INSTALLING THE MOUNTING BASE AND CAULK

### Junction Box

- Align the holes in the fixture mounting base (D) and the EVA foam (CC) then attach the EVA foam to the mounting base.
- Caulk around the EVA Foam (CC) and surface with silicone sealant (not included).
- Remove the entry plug in the mounting base and Route the junction box wires through the large center hole in the mounting base (D).
- Align the holes on the mounting base (D) with the holes on your junction box. Use two (2) or four (4) screws, depending on the size of the holes in your junction box, to attach the mounting base (D) to your junction box. (Fig. 1)

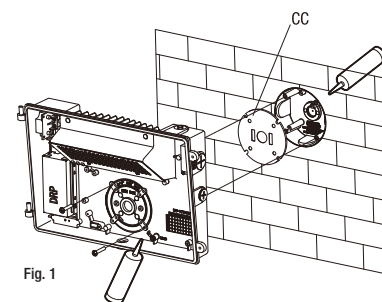


Fig. 1

### Surface Conduit Mount

- Mark and drill two to four holes on the wall surface as per the desired location for installing the mounting base (D).
- Use two or more suitable screws (not included) applicable to the surface of mounting and attach the mounting base (D) on the surface. (Fig. 2)

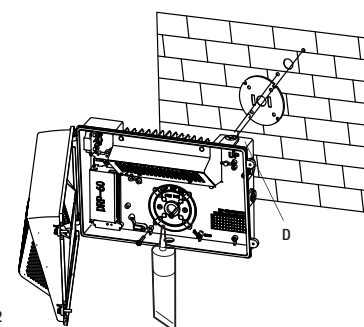


Fig. 2

**NOTICE:** Failure to properly caulk around the surface and mounting base (D) could lead to water damage and is not covered under warranty.

**NOTE:** When attaching this fixture (A) to an external surface mount junction box, caulk the inside of the light fixture before attaching to the mounting base (D).

**5.MAKING THE ELECTRICAL CONNECTIONS**

**Junction Box**

- Follow the wiring instructions given below to make the electrical connections. (Fig. 1).

**Surface Conduit Mount**

- Remove desired conduit plug (B) from one of the fixture's sides from the where conduit will enter. (Fig. 2)
- Make wiring connections inside the fixture as per the instructions given below.
- If necessary, strip 3/8 in. of insulation from junction box or fixture (A) wires (Fig.2).

**ON/OFF Wiring (Non Dimming) Method**

- Connect the fixture black wire to the supply black wire ((+) line),and fixture white wire to the supply white wire ((-) common) by twisting the exposed wires together and using the wire nuts (AA). Ensure there are no loose wires.
- Connect the supply ground wire to the green fixture ground wire by twisting the exposed wires together and using the wire nuts (AA).

**0-10V Dimmable Wiring Method**

- Connect the fixture black wire to the supply black wire ((+) line),and fixture white wire to the supply white wire ((-) common) by twisting the exposed wires together and using the wire nuts (AA). Ensure there are no loose wires.
- Connect the supply ground wire to the green fixture ground wire by twisting the exposed wires together and using the wire nuts (AA).
- Connect the purple wire to the (V+) DIM wire and the gray wire with (V-) DIM wire by twisting the exposed wire together.

**NOTE:** Hold stripped ends near each other and align any frayed strands (do not twist wires). Push the wires into wire nut (AA) and use your fingers to twist the wire nut clockwise until tight. Check for tightness by pulling wires.

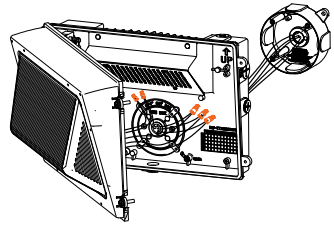


Fig. 1

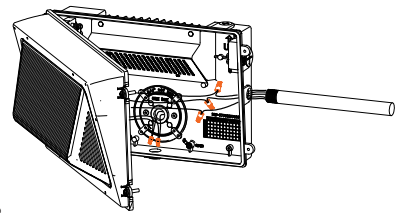
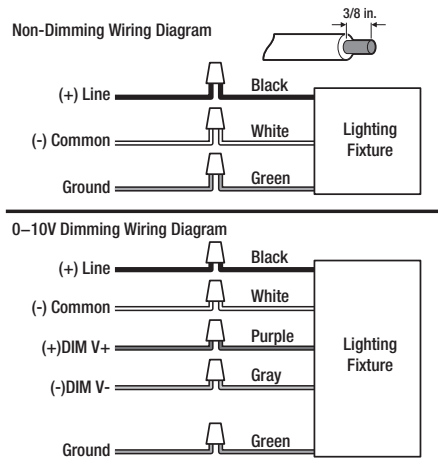
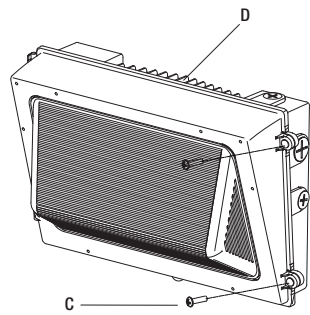


Fig. 2



**6.MOUNTING THE LIGHT FIXTURE**

- Close the fixture by tightening the two mounting base screws (C), using a Phillips screwdriver.



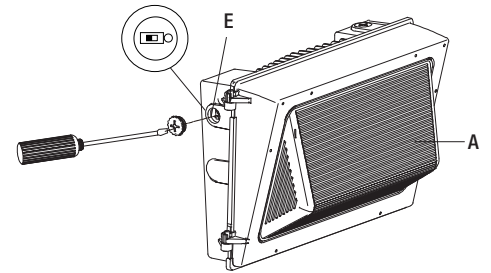
# OPERATION

## SELECTING DUSK-TO-DAWN AND PHOTOCELL ON/OFF SWITCH

### 1. DUSK-TO-DAWN OPERATION

Dusk-to-dawn operation enables the light fixture to automatically turn ON when dark outside and turn OFF when the sun rises, thus saving you energy.

- Ensure the switch powering the outlet connected to the light fixture is turned to the ON position and leave it ON at all times to enable dusk-to-dawn functionality to operate automatically.

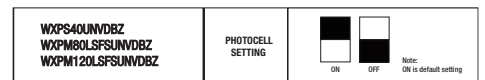


**IMPORTANT:** To test if the light fixture (A) and photocell (E) works properly run power to the fixture and cover the photocell to turn fixture ON. Shine a light into the photocell to see if fixture turns OFF.

**NOTE:** If photocell (E) is located in an area under heavy shade the photocell may not detect enough light and may turn the light fixture ON.

### 2. SWITCH CONTROLLED

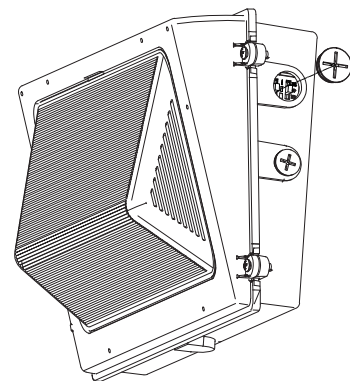
- Switch controlled operation enables the light fixture to turn ON and OFF by flipping a switch that controls the electricity to the outlet powering the fixture. The light fixture will not turn ON and OFF automatically, but is manually controlled.
- To enable switch activated operation, leave the photocell switch to OFF position.



## SELECTING CCT AND WATTAGE

Remove the CCT and Wattage selectable cap by selecting the combination on the DIP switches, Wattages and CCT can be set as required.

<b>CCT selectable setting</b>	WXPM80LSFSUNVDBZ WXPM120LSFSUNVDBZ	<p>Note: 4000K is default setting</p>
<b>Wattage selectable setting</b>	WXPM80LSFSUNVDBZ	<p>Note: 60W is default setting</p>
	WXPM120LSFSUNVDBZ	<p>Note: 90W is default setting</p>



## CARE AND CLEANING

- Shut off the main power supply before cleaning the product. To prolong the original appearance, clean the light fixture with clean water and a soft, damp cloth only.
- Do not use abrasive cleaners or cleaners that contain alcohol. Do not apply paints, solvents or any other chemicals on this light fixture. They could cause a premature deterioration of the finish and may void the warranty.
- Do not spray the light fixture with a hose or power washer.

## TROUBLESHOOTING

PROBLEM	POSSIBLE CAUSE	SOLUTION
The light does not turn ON.	There is no power to the fixture	<ul style="list-style-type: none"> <li>• Check if circuit breaker is tripped.</li> <li>• Confirm wall switch is ON. Verify wiring to the fixture is correct (turn power OFF to fixture beforehand).</li> </ul>
	The fixture senses daylight	Cover the photocell. wait a short time until the fixture turns ON.
The light cycles ON and OFF continuously.	The photocell light sensor is sensing reflected light	<ul style="list-style-type: none"> <li>• Relocate the light fixture to a location where there is no reflected light.</li> <li>• OR place the optional photocell cover over the photocell light sensor and use the wall switch to turn the light ON and OFF.</li> </ul>
The light flickers.	The light fixture wired through a dimmer switch	Do not use a dimmer switch to control the light fixture. Replace the dimmer with a standard ON/OFF switch.
The light stays ON.	The light sensor is in a shaded area.	<ul style="list-style-type: none"> <li>• Shine a flashlight into the light sensor and wait a minute. If the light turns OFF, the fixture should be moved to a location with enough light in the daylight hours for the light sensor to work.</li> <li>• OR place the optional opaque cover over the photocell light sensor and use the wall switch to turn the light ON and OFF.</li> </ul>
	The light sensor is faulty.	If the light does not turn OFF when a flashlight is shined on the light sensor for a minute, then the sensor may be faulty. Please contact customer service.