

Project		Catalog #		Type	
Prepared by		Notes		Date	



## HALO

### LTE56 5 1/6" Recessed Baffle LED Trim Bulk Packs

This 5 1/6" LTE LED Trim is an economical version of our LT Series with the same non-conductive, dead-front baffle trim and flat diffuse lens for installation into most 5" or 6" recessed housings. Available in 3000K and 10% flicker-free dimming in convenient 12- or 18-count bulk packs.

**Typical Applications** Residential

#### Interactive Menu

- Order Information page 2
- Product Specifications page 3
- Photometric Data page 4
- Energy & Performance Data page 4
- Product Warranty

#### Product Certification\*



Refer to ENERGY STAR® Certified Products List.  
Can be used to comply with California Title 24 High Efficacy requirements.  
Certified to California Appliance Efficiency Database under JAB.  
**NOTE:** Due to T20 changes as of July 1<sup>st</sup> 2019 consult factory for current catalog number and availability for T20 compliant products.

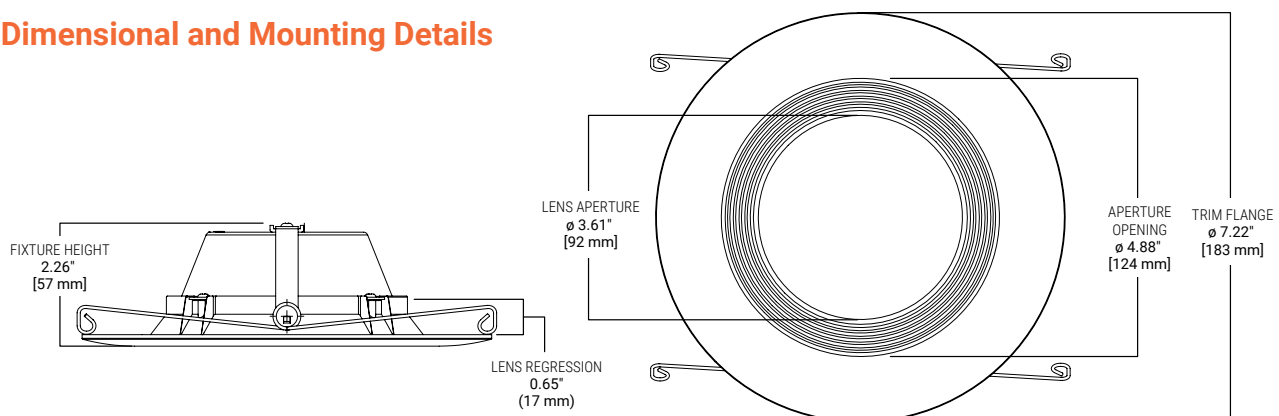
#### Product Features



#### Top Product Features

- Round 5 1/6" Recessed LED Trim suitable for new construction, remodel, and retrofit installation in most 5" or 6" IC (insulation contact) or non-IC housings
- **Lens & Trim:** Recessed baffle trim and smooth flat diffuse lens
- **Color Temperature (CCT):** Dedicated 3000K (Bright White); 90+ CRI
- **Brightness:** 600 lumens (nominal)
- **Dimming:** Dims to 10% (phase cut LE/TE); 120V input
- Includes preinstalled torsion springs; orange LED Quick Connect and E26 medium socket adapter
- Meets AIR-TITE and code compliance for additional energy savings
- 35,000 hrs of maintenance-free operation in damp or wet locations
- 5-year warranty

#### Dimensional and Mounting Details



\*T24 and RoHS are self-tested by Cooper Lighting Solutions. Not a third party certification.

## Order Information

A complete luminaire consists of a housing and a LED integrated trim, order separately.

Catalog Number	Module	Lumens	CRI/CCT	Packaging
LTE566930-12PK	5/6-inch Recessed Baffle LED Trim	600 lumen, 90+ CRI, 3000K CCT	120V 60Hz, Phase Cut dimming 10%, Matte White	12 pack
LTE566930-18PK	5/6-inch Recessed Baffle LED Trim	600 lumen, 90+ CRI, 3000K CCT	120V 60Hz, Phase Cut dimming 10%, Matte White	18 pack

### Accessories

#### Accessories

**HE26LED** = Replacement medium base (E26) screw base adapter (one included with unit)  
**ML7RAB** = Retrofit Adapter Band (required for housings without torsion spring receivers)

## Compatible Housings

### HALO - 6" Housings <sup>1</sup>

HALO LED	H750ICAT, H750RICAT, H750T, H750TCP, H2750ICAT, H2750RICAT, H550ICAT, H550RICAT, E550ICAT, E550RICAT, E750ICAT, E750RICAT
Standard Housings	H7ICAT, H7ICT, H7T, H7ICATNB, H7ICTNB, H7TNB, H7UICAT, H7TCP, H7RICAT, H7RICT, H7RT, E7ICAT, E7ICATNB, E7RICAT, E7RTAT, E7TAT, E7TATNB, H7UICAT, H7ICATNB, H7ICTNB, H7TNB, H7UICAT
Shallow Housings	H27ICAT, H27RICAT, H27ICT, H27RICT, H27T, H27RT, EI2700AT, EI2700, EI2700R, ET2700, ET2700R, E27ICAT, E27RICAT, E27TAT, E27RTAT
Fire Rated Housings	H750FR2ICATD010

### HALO - 5" Housings <sup>1</sup>

HALO LED	H550ICAT, H550RICAT, E550ICAT, E550RICAT, H550FR2ICAT
Standard Housings	H5ICAT, H5ICATNB, H5RICAT, H5T, H5TNB, H5RT, E5ICAT, E5ICATNB, E5RICAT, E5RTAT, E5TAT, E5TATNB
Shallow Housings	H25ICAT, H25RICAT, H25ICATNB
Fire Rated Housings	H550FR2ICATD010

## LUMINAIRES - UL Classified for retrofit compatibility

**Note:** Compatible with any 5" or 6" diameter recessed luminaire with an internal volume that exceeds 115 in<sup>3</sup> in addition to those listed below.

Juno	Standard Housings	IC22, IC22R, IC22W, IC22S, IC23, IC23W, TC2, TC2R, IC2
	Shallow Housings	IC21, IC21R
Capri	Standard Housings	CR1, PR1, QL1
	Shallow Housings	R9ASIC/PS9RM
Elco		HL7ICA (EL7ICA)
Thomas		PS1
Commercial Electric		C7ICA, H3

Lithonia Lighting	Standard Housing	LC6, L7X
	Shallow Housing	L7XP
Progress Lighting	Standard Housing	P87-AT**
	Shallow Housing	P86TG
Lightolier		1104ICS*, 1104ICR**

**1.** This fixture is UL Certified for use with any 5" or 6" diameter recessed luminaire constructed of steel or aluminum with an internal volume that exceeds 107.9 in<sup>3</sup> in addition to those noted below and does not exceed the input rating of the luminaire.

## Specification Features

### Module

- The LED module consists of an LED array, optical assembly, driver, and self-flanged trim
- Round recessed baffle trim and smooth flat lens
- Integral aluminum heat sink provides passive thermal cooling achieving L70 at 35,000 hrs in IC (insulation contact) and non-IC applications

### LED Array

- Color Temperature (CCT): Available in dedicated 3000K (Bright White)
- Mid-power LED array provides a uniform light source with high efficiency, long life, and no pixilation
- 90+ CRI minimum, R9 greater than 50
- Color accuracy at 4 SDCM in between endpoints provides color consistency and uniformity

### Optical Assembly

- Optical assembly provides wide light distribution – useful for general area and task lighting
- Diffuse injection molded lens with smooth flat profile
- Meets ENERGY STAR® color angular uniformity requirements

### Driver

- Integral 120V 60Hz constant current driver provides noise-free, high- efficiency operation
- **Dimmable:** Continuous, flicker-free dimming from 100% to 10% with compatible leading or trailing edge (LE/TE) 120V phase cut dimmers. (See Dimming Guide for compatible dimmers.)
  - **Tip:** For optimal dimming performance, consider dimmers with low-end trim adjustment. Note that some dimmers require a neutral wire in the box.
- **Wiring:** Includes inline electrical orange LED Quick Connect and E26 medium socket adapter for mains connection

### Retention

- Preinstalled steel torsion springs hold the module securely in the housing (requires torsion spring receivers)
- Ships with torsion springs in the 6" position, adjusts to 5" position with two Phillips-head screws

### Trim

- The one-piece step baffle and self-flanged trim ring provide lens regression and reduce light leaks
- Injection molded plastic construction is impact-resistant and non-corrosive
- Non-conductive construction meets most local dead-front code requirements

### Gasket

- Not included – due the HALO LT/LTE design, a gasket is not required to achieve AIR-TITE code requirements (caulking can be used for additional sealing if necessary for local code)

### Compliance

- UL-Certified for US and Canada, type IC suitable for direct contact with air permeable insulation
- UL-Certified for US and Canada for use with HALO housings, classified for use with others' housings; see instruction sheet for conditions of acceptability
- Wet location-listed and IP66 ingress protection-rated
- Airtight per ASTM-E283
- Suitable for use in clothes closets when installed in accordance with the NEC 410.16 spacing requirements
- EMI/RFI emissions per FCC47CFR Part 15 consumer limits
- Contains no mercury or lead and is RoHS compliant
- Photometric testing in accordance with IES LM-79-08
- Lumen maintenance projections in accordance with IES LM-80-08 and TM-21-11
- Can be used for State of California Title 24 high-efficacy luminaire compliance; reference the California Energy Commission Title 20 Appliance Efficiency Database for current listings
- ENERGY STAR® listed; reference database for current listings
- Meets State of California voluntary lamp standards
- Lighting Facts labeled

### Warranty

- Five year limited warranty, consult website for details. [www.cooperlighting.com/warranty](http://www.cooperlighting.com/warranty)

## Energy Data

Lumens	600 Series
Input Voltage	120V
Input Current	0.089 (mA)
Input Power	10.4 (W)
Efficiency	Up to 73 (LPW)
Inrush (A)	
THD: ≤ 24%	
PF: ≥ 0.90	
T Ambient -30 - +40°C	
Sound Rating ≤ 23dba	

## Photometric Data

**LTE566930 - 3000K**  
 Spacing criterion:  
 (0-180) 1.21 | (90-270) 1.21 | (Diagonal) 1.23  
 Beam Angle: 93.3  
 Field Angle: 137.9°  
 Lumens: 698  
 Input Watts: 10 W  
 Efficacy: 69.8 LPW  
 UGR: 18  
 Test Report: P199328

Zonal Lumen	Lumens	% Lumens
0-30	253	36.3
0-40	405	58.0
0-60	632	90.6
0-90	698	100.0

TM-30-15	Rf = 93
	Rg = 103
CRI/CIE	Ra = 96.6
	R9 = 89

93

## Product Specifications

### LT560WH6930R - 90 CRI

PRODUCT SPECIFICATIONS

<b>Lumens</b>	<b>720</b>
<b>Watts</b>	<b>9</b>
<b>Lumens Per Watt (Efficacy)</b>	<b>80</b>
<b>Color Accuracy (CRI)</b>	<b>91</b>
<b>Light Color (CCT)</b>	<b>3000K</b>
<small>Correlated Color Temperature (CCT)</small>	
<small>warm white</small>	<small>soft white</small>
<small>2700K</small>	<small>3000K</small>
<small>4500K</small>	<small>6500K</small>