

Project		Catalog #		Type	
Prepared by		Notes		Date	



additional product images

# HALO

## JBD Slim Surface Mount LED Downlight

A slim 4" surface mount LED downlight that mounts directly to most standard 4" junction boxes and offers interchangeable designer trims.

### Typical Applications

Residential

### Interactive Menu

- Order Information [page 2](#)
- Product Specifications [page 3](#)
- Energy Data [page 4](#)
- Photometric Data [page 4](#)
- Product Warranty

### Product Certification



Refer to ENERGY STAR® Certified Products List.  
Can be used to comply with California Title 24 High Efficacy requirements.  
Certified to California Appliance Efficiency Database under JAB.

### Product Features

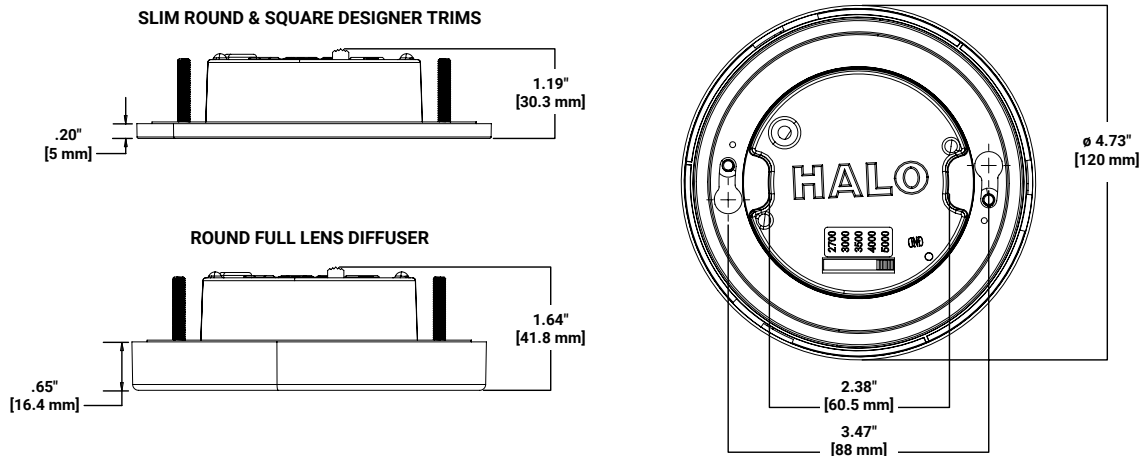


### Top Product Features

- Slim 4" design mounts below the ceiling to most standard 4" junction boxes, no clips or plates needed
- Interchangeable designer trims available in round, square, and Full Lens Diffuser
- **5-position Field-SeleCCTable:** 2700K, 3000K, 3500K, 4000K, 5000K; 90+ CRI
- **Brightness (Lumens):** 700 lms (nominal)
- **Dimming:** Dims to 5% (Phase Cut LE/TE) 120V input
- **Life:** 50,000 hrs of maintenance free operation

### Dimensional and Mounting Details

additional product diagrams



## Order Information

Catalog Number	Description	Lumens (nominal)	CCT	Driver	Included Designer Trim	Compliance
JBD4079FS1EWH	4" Slim Surface LED Downlight	700 lumens	5-color field-selectable CCT: 2700K, 3000K, 3500K, 4000K, 5000K; 90+CRI	5% phase cut LE/TE dimming, 120V 60Hz	Round, Matte White Trim (Paintable)	(non-California version)
JBD4079FS1EWH-CA	4" Slim Surface LED Downlight	700 lumens	5-color field-selectable CCT: 2700K, 3000K, 3500K, 4000K, 5000K; 90+CRI	5% phase cut LE/TE dimming, 120V 60Hz	Round, Matte White Trim (Paintable)	California SKU*

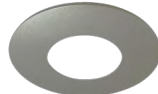
\* California version does not include E26 adapter and hardware for alternate installation into recessed housings.

Accessories	
<p><b>Round Flat Designer Trims</b>                      JBD4TRMMW = JBD Round Trim, Paintable Matte White                      JBD4TRMSN = JBD Round Trim, Satin Nickel                      JBD4TRMTBZ = JBD Round Trim, Tuscan Bronze                      JBD4TRMMB = JBD Round Trim, Matte Black</p> <p><b>Round Baffle Designer Trims</b>                      JBD4TRMMWB = JBD Round Baffle Trim, Paintable Matte White                      JBD4TRMSNB = JBD Round Baffle Trim, Satin Nickel                      JBD4TRMTBZB = JBD Round Baffle Trim, Tuscan Bronze                      JBD4TRMMBB = JBD Round Baffle Trim, Matte Black</p> <p><b>Round Full Lens Diffuser</b>                      JBD4DIFF = JBD Round Trim, Full Lens Diffuser</p>	<p><b>Square Flat Designer Trims</b>                      JBD4STRMMW = JBD Square Trim, Paintable Matte White                      JBD4STRMSN = JBD Square Trim, Satin Nickel                      JBD4STRMTBZ = JBD Square Trim, Tuscan Bronze                      JBD4STRMMB = JBD Square Trim, Matte Black</p> <p><b>Square Baffle Designer Trims</b>                      JBD4STRMMWB = JBD Square Baffle Trim, Paintable Matte White                      JBD4STRMSNB = JBD Square Baffle Trim, Satin Nickel                      JBD4STRMTBZB = JBD Square Baffle Trim, Tuscan Bronze                      JBD4STRMMBB = JBD Square Baffle Trim, Matte Black</p>

### Flat Designer Trims



**JBD4TRMMW**  
Paintable  
Matte White



**JBD4TRMSN**  
Satin Nickel



**JBD4TRMTBZ**  
Tuscan Bronze



**JBD4TRMMB**  
Matte Black



**JBD4STRMMW**  
Paintable  
Matte White



**JBD4STRMSN**  
Satin Nickel



**JBD4STRMTBZ**  
Tuscan Bronze



**JBD4STRMMB**  
Matte Black

### Baffle Designer Trims



**JBD4TRMMWB**  
Paintable  
Matte White, Baffle



**JBD4TRMSNB**  
Satin Nickel, Baffle



**JBD4TRMTBZB**  
Tuscan Bronze, Baffle



**JBD4TRMMBB**  
Matte Black, Baffle



**JBD4STRMMWB**  
Paintable  
Matte White, Baffle



**JBD4STRMSNB**  
Satin Nickel, Baffle



**JBD4STRMTBZB**  
Tuscan Bronze, Baffle



**JBD4STRMMBB**  
Matte Black, Baffle

### Full Lens Diffuser



**JBD4DIFF**  
Full Lens Diffuser

## Alternate Recessed Housing Installation



### JBD4079FS1EWH

(non-California version)

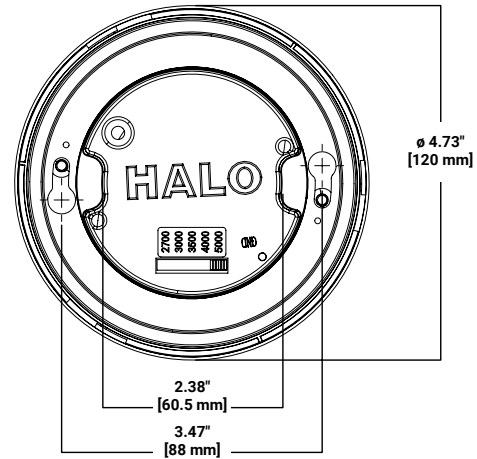
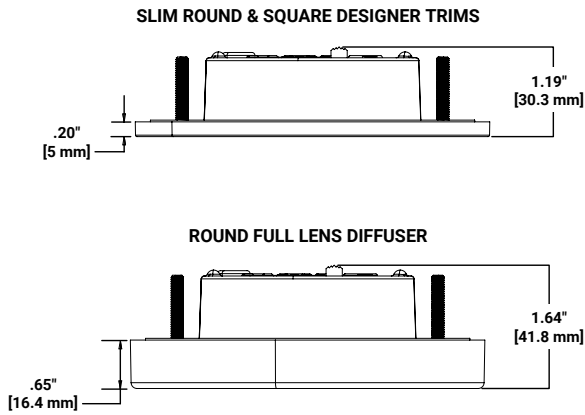
- Product includes striped wires on back of fixture.
- Package includes
  - Wire nuts
  - Orange LED housing connector
  - E26 adapter

Compatible with for use in 4" Halo housings.

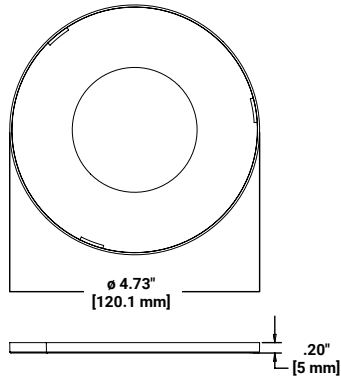
**E4ICATSB, E4TATSB, E4RTATSB**

**JBD4079FS1EWH-CA** is not compatible for installation into recessed housings.

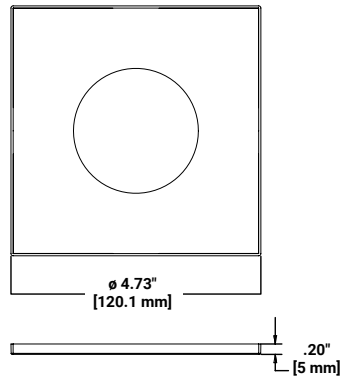
## Dimensional and Mounting Details



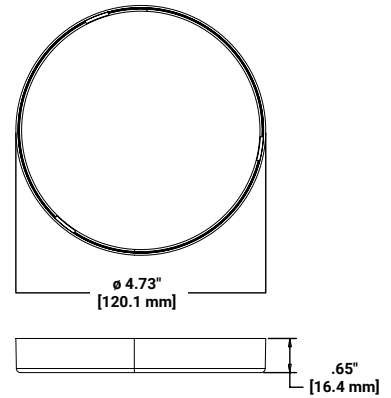
**FLAT & BAFFLE ROUND DESIGNER TRIMS**



**FLAT & BAFFLE SQUARE DESIGNER TRIMS**



**ROUND FULL LENS DIFFUSER**



## Product Specifications

### Construction

- Slim, die cast aluminum fixture and interchangeable designer trims
- High impact diffuse polystyrene lens provides shielding to the light guide with no pixilation

### Gasket

- Closed cell gasket achieves restrictive airflow and wet location requirements without additional caulking

### Optics

- Precision acrylic light guide organizes source flux into wide distribution with 1.2 – 1.4 spacing criteria useful for general area illumination

### LED

- Mid power led array provide a uniform source with high efficiency and long life
- 5-position field-selectable color temperatures include: 2700K, 3000K, 3500K, 4000K, and 5000K
- 90+ CRI
- L70 at 50,000 hours projected in accordance with TM 21

### Designer Trims (Sold Separately)

- Interchangeable Designer Trims are available in both round and square
- Twist locking mechanism attaches trims directly to the fixture
- Slim Designer Trims are available in:
  - Paintable Matte White
  - Satin Nickel
  - Tuscan Bronze
  - Matte Black
- The Full Lens Diffuser expands the JBD's light source into a fully illuminated diffuse lens that extends 1/2" down from the ceiling

### Driver

- Integral 120V 50/60Hz constant current driver provides noise free operation
- Continuous, flicker-free dimming from 100% to 5% with select leading (LE) or trailing edge (TE) 120V phase cut dimmers.
- Dimming to 5% is best assured using dimmers with low end trim adjustment.
- Consult dimmer manufacturer for compatibility and conditions of use. (Note some dimmers require a neutral in the wallbox.)
- Inline electrical quick connect and E26 adapter (provided) provides mains connections.

### Mounting

- Designed for installation into both junction boxes and recessed housings.

### Electrical Junction Box Mounting

- Install from below the ceiling design
- Suitable for installation in many 4" octagon and round electrical junction boxes
- Installer must ensure compatibility of fit, wiring, and proper mounting in the electrical junction box (This includes all applicable national and local electrical and building coded NEMA LSD 57 2013)

### Recessed Housing Mounting

- May be installed in IC recessed housings in direct contact with insulation Note: Not for use in recessed housing in direct contact with spray foam insulation. Refer to NEMA LSD 57-2013
- E26 medium base socket adapter and 2 extension springs are included for installation in 4" nominal recessed housings

### Compliance

- UL Certified for US and Canada
- Wet Location listed for showers and covered outdoor ceilings
- Suitable for use in clothes closets when installed in accordance with the NEC 410.16 spacing requirements
- EMI/RFI emissions per FCC 47CFR Part 15B
- Contains no mercury or lead and RoHS compliant
- Photometric testing in accordance with IES LM 79 08
- Lumen maintenance projections in accordance with IES LM 80 08 and TM 21 11
- Can be used for State of California Title 24 high efficacy luminaire compliance
- Can be used for International Energy Conservation Code (IECC) and Washington State Energy Code high efficiency luminaire compliance
- ENERGY STAR® Certified luminaire consult ENERGY STAR® Certified Product List

### Warranty

- Five year limited warranty, consult website for details. [www.cooperlighting.com/warranty](http://www.cooperlighting.com/warranty)

## Compatible Junction Boxes<sup>1</sup>



**4" octagon light fixture/ fan steel box**  
4" x 4" x 2-1/8"  
(102mm x 102mm x 54mm)



**4" octagon steel box**  
4" x 4" x 1-1/2"  
(102mm x 102mm x 38mm)



**4" round surface mount box**  
4" diameter x 1-1/2"  
(102mm x 38mm)



**TP316**  
for non-metallic cable  
4" x 4" x 2-1/8"  
(102mm x 102mm x 54mm)



**TP317**  
for metal clad cable  
4" x 4" x 2-1/8"  
(102mm x 102mm x 54mm)



**4" round new work non-metallic light fixture/fan box**  
4" diameter x 2-3/16"  
(102mm x 56mm)



**4" round new work non-metallic box with hanger bar assembly**  
4" diameter x 2-3/16" (102mm x 56mm)



**3-1/2" round old work non-metallic box**  
4-1/4" O.D. flange, 3-1/2" I.D. x 2-5/8"  
(108mm O.D., 89mm I.D. x 67mm)

1. This is a representative list of compatible junction boxes only. Information contained in this literature about other manufacturers' products is from published information made available by the manufacturer and is deemed to be reliable, but has not been verified. Cooper Lighting Solutions makes no specific recommendation on product selection and there are no warranties of performance or compatibility implied. Installer must determine that site conditions are suitable to allow proper installation of the mounting bracket in the box.

## Compatible Housings

### HALO - 4" Housings<sup>2</sup>

Standard Housing	E4ICATSB, E4TATSB, E4RTATSB
------------------	-----------------------------

2. The JBD4 is UL Certified for use with any 4" diameter recessed housing constructed of steel or aluminum with an internal volume that exceeds 62.3 in<sup>3</sup> in addition to those noted above.

## Energy Data

### JBD4079FS1EWH - 3000K

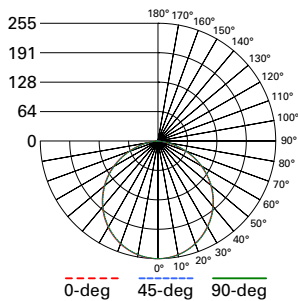
Lumens	733lm
Input Voltage (VAC)	120V
Input Current (A)	0.082A
Input Power	9.7W
LPW	75.54lm/W
Inrush Current (A)	2.4
Inrush Duration (ms)	7.2uS
THD (%)	16.8%
PF	0.982
T Ambient	25°C
Sound Rating	18.36 dBA

Catalog Number	CCT	Watts	lumens	LPW	CRI
JBD4079FS1EWH	2700K	9.8	710	72.4	93
	3000K	9.9	715	72.2	93
	3500K	9.9	725	73.2	93
	4000K	9.9	720	72.7	93
	5000K	9.8	720	73.5	93

## Photometric Data

### JBD4079FS1EWH-10W-3000K

Spacing criterion:  
 (0-180) 1.25 | (90-270) 1.25 |  
 (Diagonal) 1.37  
 Beam Angle: 112°  
 Field Angle: 160°  
 Lumens: 713  
 Input Watts: 10 W  
 Efficacy: 71.3 LPW  
 UGR: 20.6  
 Test Report: P701313



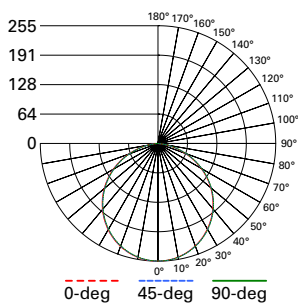
Zonal Lumen	Lumens	% Lumens
0-30	197	27.7
0-40	323	45.3
0-60	570	80
0-90	712	99.9

TM-30-15	Rf = 91
	Rg = 104
CRI/CIE	Ra = 95.6
	R9 = 85.4



### JBD4079FS1EWH-CA-10W-3000K

Spacing criterion:  
 (0-180) 1.25 | (90-270) 1.25 |  
 (Diagonal) 1.37  
 Beam Angle: 112°  
 Field Angle: 160°  
 Lumens: 713  
 Input Watts: 10 W  
 Efficacy: 71.3 LPW  
 UGR: 20.6  
 Test Report: P701314



Zonal Lumen	Lumens	% Lumens
0-30	197	27.7
0-40	323	45.3
0-60	570	80
0-90	712	99.9

TM-30-15	Rf = 91
	Rg = 104
CRI/CIE	Ra = 95.6
	R9 = 85.4

