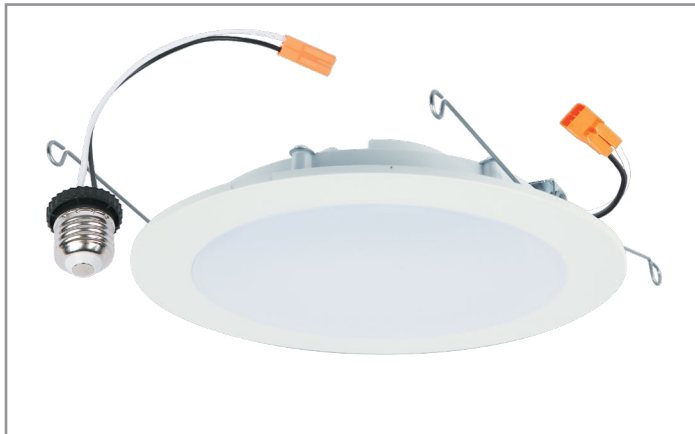


Project		Catalog #		Type	
Prepared by		Notes		Date	



HALO

HLBT 6" Slim LED Trim

The HLBT Slim LED Trims are designed to install into new construction or remodel recessed housings. They match the look and feel of our best-selling canless fixtures, the HLB, and allow installers to offer consistent lighting across multiple installation methods. HLBT fixtures are 5-color field-seleCCTable and offer flicker-free 5% dimming making for easy lighting customization.

Interactive Menu

- Order Information page 2
- Product Specifications page 3
- Energy Data page 4
- Photometric Data page 4
- Product Warranty

Product Certification¹



Refer to ENERGY STAR® Certified Products List.
Can be used to comply with California Title 24 High Efficacy requirements.
Certified to California Appliance Efficiency Database under JAB.

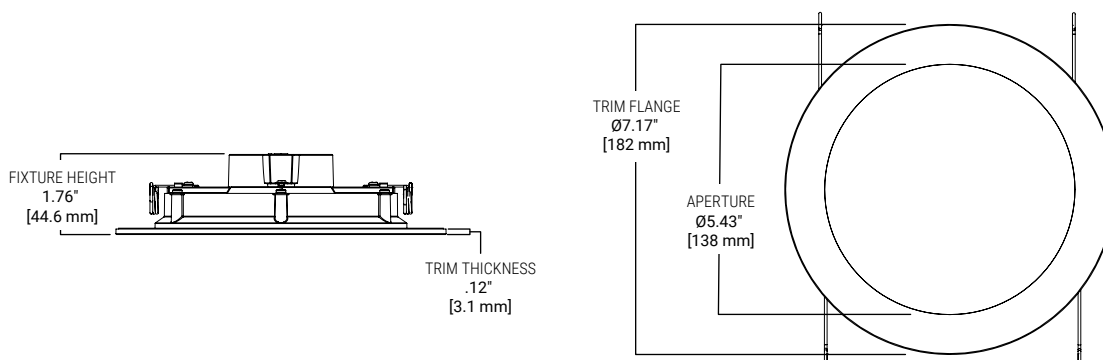
Product Features



Top Product Features

- Round 6" slim LED trim - installs in most 6" new construction or remodel recessed housings
- **Lens & Trim:** Slim polymer trim with smooth lens
- **Color Temperature (CCT):** 5-color Field-SeleCCTable (2700K, 3000K, 3500K, 4000K, 5000K); 90+ CRI
- **Brightness (Lumens):** 765 lm (nominal)
- **Dimming:** Dims to 5% (phase cut LE/TE); 120V input
- Includes preinstalled torsion springs, orange LED Quick Connect and E26 medium socket adapter
- AIR-TITE, wet location-listed, and ENERGY STAR®
- 50,000 hrs of maintenance-free operation
- 5-year warranty

Dimensional and Mounting Details



Order Information

Catalog Number	Description	Lumens (nominal)	CRI/CCT	Driver/Dimming	Finish	Packaging
HLBT609FS5	6" HLBT Slim LED Trim	965 lumens	90+ CRI, field selectable CCT: 2700K, 3000K, 3500K, 4000K, 5000K	120V 60Hz, LE & TE phase cut 100-5% dimming	Matte White	Plastic-free Recyclable

Optional Accessories – Decorative Overlays (order separately)

Catalog Number	Description	Finish
HLBT6DOMW	6" HLBT Decorative Overlay	Paintable Matte White
HLBT6DOMB	6" HLBT Decorative Overlay	Matte Black
HLBT6DOSN	6" HLBT Decorative Overlay	Satin Nickel
HLBT6DOTBZ	6" HLBT Decorative Overlay	Tuscan Bronze
HE26LED	Replacement medium E26 screw base adapter (1 is already included with unit)	
ML7RAB	Retrofit Adapter Band – use with existing 6" housings that do not have torsion spring receivers	

Decorative Overlays



Compatible Housings

HALO - 6" Housings²

HALO LED	H750ICAT, H750RICAT, H750T, H750TCP, H2750ICAT, H2750RICAT, E750ICAT, E750RICAT
Standard Housing	H71CAT, H71CT, H7T, H71CATNB, H71CTNB, H7TNB, H7UICAT, H7TCP, H7RICAT, H7RICT, H7RT, E71CAT, E71CATNB, E7RICAT, E7RTAT, E7TAT, E7TATNB, H7UICAT, H71CATNB, H71CTNB, H7TNB, H7UICAT
Shallow Housing	H271CAT, H27RICAT, H271CT, H27RICT, H27T, H27RT, EI2700AT, EI2700, EI2700R, ET2700, ET2700R, E271CAT, E27RICAT, E27TAT, E27RTAT
Fire Rated Housing	H750FR2ICAT

2. The fixture is UL Certified for use with any 6" diameter recessed luminaire constructed of steel or aluminum with an internal volume that exceeds 97.4 in³ in addition to those noted below and does not exceed the input rating of the luminaire.

Product Specifications

Module

- The LED module consists of an LED array, optical assembly, driver, and self-flanged trim
- Achieves L70 at 50,000 hrs in IC (insulation contact) and non-IC applications

Selectable System

- Use the CCT select switch to choose between 2700K, 3000K, 3500K, 4000K, and 5000K CCT
- Factory default color temperature (CCT) is set to bright white (3000K)

LED Array

- Mid-power LED array provides a uniform light source with high efficiency and no pixilation
- 90+ CRI minimum, R9 greater than 50
- Color accuracy at 4SCDM at the endpoints and 6 SCDM in the middle provides color consistency and uniformity

Driver

- Integral 120V 60Hz constant current driver provides noise-free, high-efficiency operation
- Dimmable: Continuous, flicker-free dimming from 100% to 5% with compatible leading or trailing edge (LE/TE) 120V phase cut dimmers; (See Dimming Guide for compatible dimmers.)
 - Tip: For optimal dimming performance, consider dimmers with low-end trim adjustment; Note that some dimmers require a neutral wire in the box.
- Wiring: Includes inline electrical orange LED Quick Connect and E26 medium socket adapter to provide mains connection

Retention

- Preinstalled steel torsion springs hold the module securely in the housing (requires torsion spring receivers)
- If installing in a housing that does not have torsion spring receivers, order the Retrofit Adapter Band and install in housing prior to fixture installation.

Trim

- The one-piece step self-flanged round trim ring provides reduced light leaks
- Injection-molded plastic construction is impact-resistant and non-corrosive
- Non-conductive construction meets most local dead-front code requirements

Gasket

- Closed-cell gasket achieves restrictive airflow requirements without additional caulking

Designer Overlays (sold separately)

- Overlays are accessory trims that attach to the fixture for a decorative finish

Recessed Housing Mounting

- Installs from below the ceiling to compatible 6" recessed housings with preinstalled steel torsion springs
- Not for use in recessed housings in direct contact with spray foam insulation refer to NEMA LSD 57-2013
- The included LED connector, and E26 medium socket adapter provide easy mounting to recessed housings
- Reference installation instructions for complete mounting step

Compliance

- cULus certified for US and Canada
- Wet location-listed
- Airtight per ASTM-E283
- Suitable for use in clothes closets when installed in accordance with the NEC 410.16 spacing requirements
- EMI/RFI emissions per FCC 47CFR Part 15 Class B consumer limits
- Contains no mercury or lead and RoHS compliant¹
- Photometric testing in accordance with IES LM-79-08
- Lumen maintenance projections in accordance with IES LM-80-08 and TM-21-11
- ENERGY STAR® certified, reference Certified Light Fixtures database
- Certified to State of California Title 20, State regulated LED Lamp; reference Modernized Appliance Efficiency Database System (MAEDBS) for State-regulated LED Lamp
- Can be used for State of California Title 24 high efficacy LED compliance under JA8¹, reference Modernized Appliance Efficiency Database System (MAEDBS) for 2022 JA8 High Efficacy Lighting

Warranty

- Five year limited warranty, consult website for details. www.cooperlighting.com/warranty

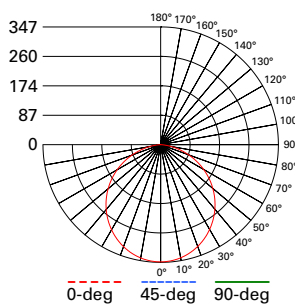
Energy Data

HLBT609FS5	
Lumens	900
Input Voltage	120V
Input Current	0.092A
Input Power	10.67W
Efficiency	79.31%
Inrush(A)	1.24A@92USEC
THD	9.80%
PF	0.978
T Ambient	-30 to +40 °C
Sound Rating	<22 dBA @1feet
Efficacy(LPW)	101.74

HLBT609FS5				
CCT	Watts	Lumens	LPW	CRI
2700K	9.8	935	95.6	93
3000K	9.7	965	99.5	93
3500K	10.0	965	97.0	93
4000K	10.0	965	96.2	93
5000K	9.9	975	98.7	93

Photometric Data

[View IES files](#)



HLBT609FS5*-930

Spacing criterion:
 (0-180) 1.26 | (90-270) 1.26 | (Diagonal) 1.38
 Beam Angle: 111°
 Field Angle: 160°
 Lumens: 965
 Input Watts: 9.7 W
 Efficacy: 99.5 LPW
 UGR: 26.8
 Test Report: P832732

Zonal Lumen	Lumens	% Lumens
0-30	268.2	27.8
0-40	438	45.4
0-60	770.3	79.8
0-90	965	100

TM-30-15	Rf = 92
	Rg = 103
CRI/CIE	Ra = 93
	R9 = 90

CCT - Range of 2700K-5000K

