

io LED

Covio

Architectural LED Cove Lighting



 **COOPER**
Lighting Solutions



CoviO™

Architectural LED Cove Lighting

iO revolutionized the architectural lighting market when it launched in 2007 with a commitment to all LED products, tight optical control, small size and high performance fixtures.

CoviO builds on this rich history with a new integral driver luminaire which delivers three output options ranging from functional illumination to a soft glow in an easy to install, exterior rated fixture which enables long runs of consistent illumination.

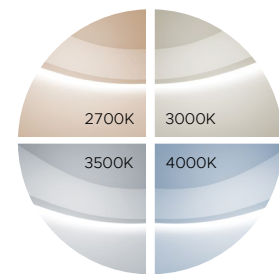


The CoviO enables continuity in illumination from indoor to outdoor spaces such as in the coves in both the outdoor portico and the lobby without socket shadows as well as the illumination of the roof line.

An Elegant Package Designed to Perform

The CoviO delivers a comprehensive range of high performance features with flexibility and easy installation in mind. Its compact construction, low energy consumption, and remarkably powerful lumen packages make it a valuable linear lighting design tool that extends its use far beyond cove lighting.

Many traditionally high-performance specification features come as standard in the CoviO making it perfect for architectural specifications.



The proof is in the color

With a standard color rendering index of 90+CRI and standard CCT options of 2700K, 3000K, 3500K or 4000K the CoviO enhances architectural spaces.

Indoor / Outdoor Versatility

The CoviO is perfect for indoor and exterior locations allowing continuity in illumination from indoor to outdoor spaces. The integral silicone lens gasket delivers IP66 and UL wet location ratings for exterior installations.

High efficacy and lumen output

LED board is available in three lumen output options up to 1500 lm/ft and category leading efficacy up to 130 lm/W.

Self-closing end cap

The proprietary, self-closing end cap ensures a risk-free end-of-run even in a wet exterior locations.

Integral driver

An integral driver reduces installation costs without the hassle of finding remote driver locations.

CoviO – 2 ft.

Dimming to 1%

Standard 0-10V dimming from 100% to 1%. An optional beginning-of-run control module also enables 1% dimming with ELV, Triac or DALI controls.

CoviO – 1 ft.

Runs up to 300ft.

Designed for long runs from a single power drop to make installation easy and cost effective.

Quick connect System

Quick connects save time and money on installation costs with easy to install quick connects. Exterior (IP66) rated quick connectors easily snap together and enables runs of more than 300 ft from a single power drop.

Wireless Dimming

Wireless dimming to 1% is available with the WaveLinx Wireless Connected Lighting System.

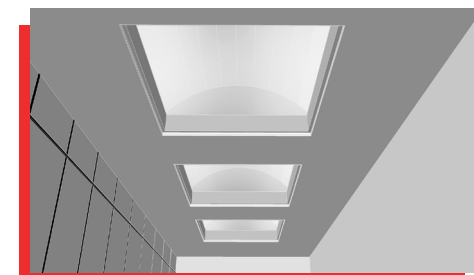




The CoviO provides a sleek light source that doesn't need to be limited to coves. Here the CoviO provides indirect up light from the support trusses and from the tops of the columns as well as direct light from the niches around the doors.

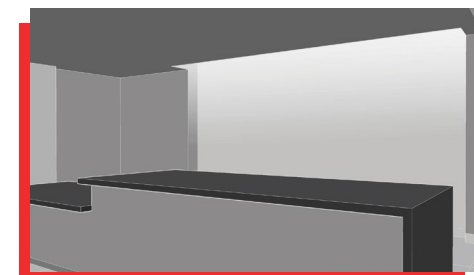
Designed for Versatility

The CoviO series offers the designer a flexible design tool to be utilized in many traditional cove installations, or in new applications even outside a cove. With a small footprint, an outdoor rating, three output options, four standard CCTs, dimming to 1%, 90 CRI standard and multiple dimming protocols, the application possibilities are wide open.



Up light cove

Use the CoviO to fill a traditional cove with rich high quality light and accentuate high-end finishes.



Down light Cove

CoviO creates indirect smooth even illuminance on an accent wall from above.



Floating Ceiling

Even illumination without socket shadows of the perimeter of an architectural element draws attention and creates a floating surface effect.

Designed for simple control

The CoviO is control agnostic, working seamlessly with standard 0-10V, ELV, Triac, DALI or WaveLinx. The luminaire also provides smooth digital dimming down to 1%. The proprietary integral driver in the CoviO is a 0-10V driver with standard dimming capability from 100% to 1%. The proprietary control module options enable compatibility with a wide variety of dimming protocols from the standard CoviO fixture with only a single control module per run. Control module options include ELV, Triac and DALI.

Wireless control is also available through the WaveLinx Wireless Connected Lighting System.

		Run Length Limits (ft)								
Fixture Length		1F=12"			2F=24"			4F=48"		
Lumen Package		05L (500lm)	10L (1000lm)	15L (1500lm)	05L (1000lm)	10L (2000lm)	15L (3000lm)	05L (1000lm)	05L (1000lm)	05L (1000lm)
Fixture Input Wattage		5.1W	9.9W	14.6W	9.9W	18.8W	28.9W	5.1W	9.9W	14.6W
Dimming Protocol	0-10V (STD)									
	ELV (ELV)									
	Triac (TR)									
	WaveLinx (WL)									
DALI (5LT)	Maximum Run Length Limit (ft) @ 120V	140	70	50	140	70	50	140	70	50
	Maximum Run Length Limit (ft) @ 277V	300	170	120	340*	170	120	300	170	120
DALI (5LT)	Maximum Run Length Limit (ft) @ 120V	92	47	32	92	48	32	92	47	32
	Maximum Run Length Limit (ft) @ 277V	216	110	76	216	110	76	216	110	76

* Note: Run must be limited to 300 fixtures when using both 1F and 2F fixtures in a single 05L run @ 277V



CoviO delivers functional cove lighting that can eliminate the need to additional fixtures in applications like this hospital corridor while also providing softer indirect ambient light like the coves over and under this nurse's station.



Technical data

FIXTURE

LM CoviO Linear LED

LIGHT LEVEL (NOMINAL FOR 12" SECTION)

05L 500 lumen/ft (5 W/ft)
 10L 1000 lumen/ft (10 W/ft)
 15L 1500 lumen/ft (15 W/ft)

LED CRI & CCT STANDARD CRI

927 90 CRI, 2700K CCT
 930 90 CRI, 3000K CCT
 935 90 CRI, 3500K CCT
 940 90 CRI, 4000K CCT

OPTICAL DISTRIBUTION

120 Standard lambertian

ENVIRONMENT

ID Indoor
 OD Outdoor

VOLTAGE

UNV 120V-277V
 277 277V

HOUSING COLOR

S Standard Silver

MOUNTING

SM Surface mount

CONTROL OPTIONS

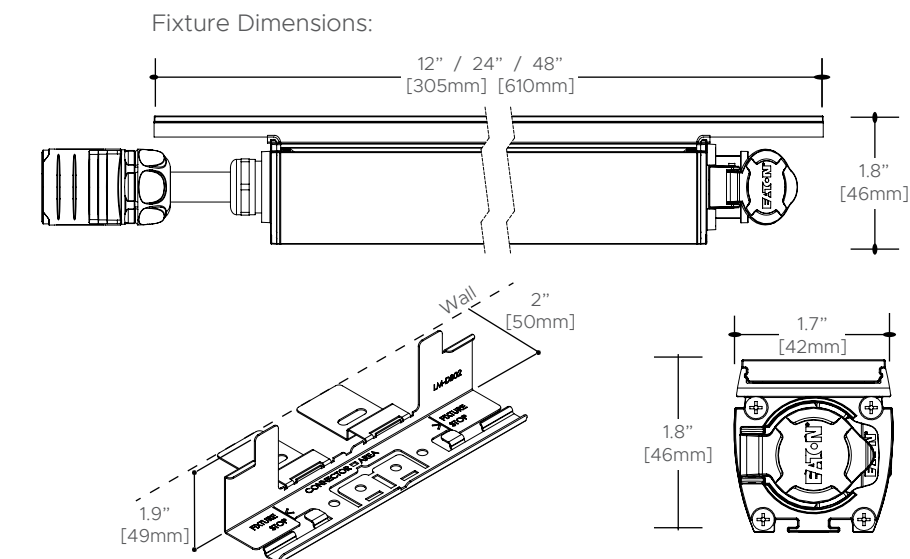
STD 0-10V (1%-100%)
 ELV ELV
 TR Triac
 5LT DALI
 WL Wavelinx wireless

CONTROL OPTIONS

1F 12" Individual fixture
 2F 24" Individual fixture
 4F 48" Individual fixture
 ___F Specify nominal run length in feet
 ___F/1 Specify nominal run of 1ft fixtures

ORDERING EXAMPLE

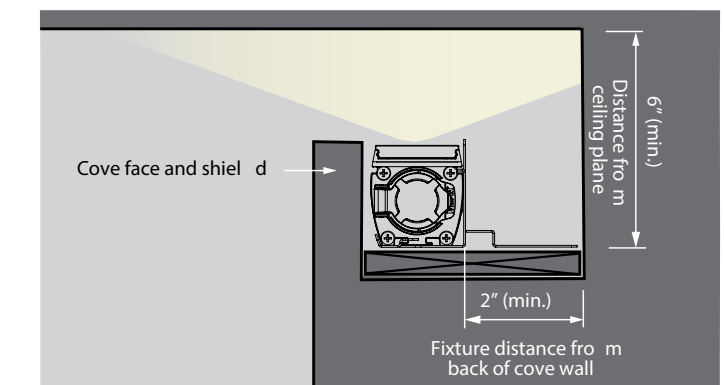
LM-10L-935-120-OD-277-S-SM-STD-50F



Typical Linear Module Performance (90+ CRI, 3500K CCT, 24" fixture)

Lumen Package	Delivered Lumens/ft	Wattage/ft	Efficacy (lm/W)
05L	616	5	123
10L	1187	9.4	126
15L	1736	14.5	120

Cove Design Guidelines



io LED



Lighting Product Lines

Ametrix
AtLite
Corelite
Ephesus
Fail-Safe
Halo
Halo Commercial
Invue
io
Iris
Lumark
Lumière
McGraw-Edison
Metalux
MWS
Neo-Ray
Portfolio
RSA
Shaper
Streetworks
Sure-Lites

Controls Product Lines

Fifth Light Technology
Greengate
iLight (International Only)
iLumin
Zero 88

Connected Lighting Systems

Distributed Low-Voltage Power
HALO Home
iLumin Plus
LumaWatt Pro
WaveLinX

Cooper Lighting Solutions
18001 East Colfax Avenue
Aurora, CO 80011
P: 303-393-1522
F: 303-393-1477
www.cooperlightingsolutions.com

Canada Sales
5925 McLaughlin Road
Mississauga, Ontario L5R 1B8
P: 905-501-3000
F: 905-501-3172

© 2020 Cooper Lighting Solutions
All Rights Reserved
Printed in USA
Publication No. BR522001EN
August, 2020

Cooper Lighting Solutions is a registered trademark.

All other trademarks are property of their respective owners.

Product availability, specifications, and compliances are subject to change without notice.

