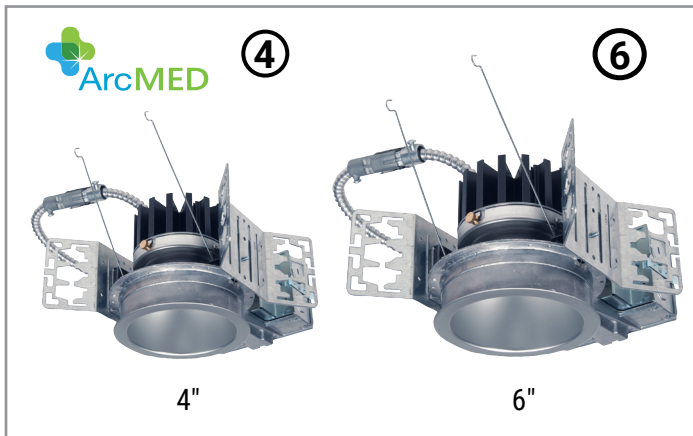


Project		Catalog #		Type	
Prepared by		Notes		Date	



Fail-Safe



MRI-FLD4C MRI-FLD6C

MRI Round Downlight/Non-Ferrous
4", 6" Aperture
Remote Drivers/Enclosures
RF Filters

Typical Applications
MRI

Interactive Menu

- Order Information [page 2](#)
- Wiring Diagram [page 5](#)
- Product Specifications [page 6](#)
- Energy and Performance Data [page 6](#)
- Product Warranty

Product Certification



Product Features



Top Product Features

- Choose from a 4" or 6" aperture downlight, for a choice of aesthetics and illumination requirements
- Non-ferrous construction to ensure trouble-free operation in the MRI suite
- Remote drivers and multi-channel MRI filters ensure proper operation and output of the MRI equipment
- IP65 rated standard, for ingress protection from dust and water
- NSF rated to ensure easy cleaning and wipe down
- Options to meet Buy American Act requirements

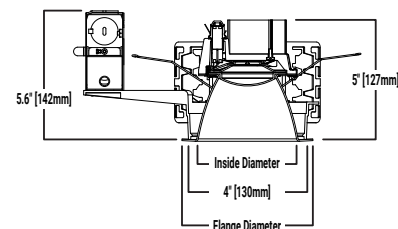
Example MRI suite Bill of Material

4" Downlights, 8 qty, 1500 lumens, 3500K, 90 CRI
1% dimming driver, Haze trims, wide distribution

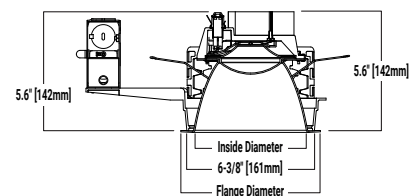
Description	Catalog Number	Quantity
4" Downlight Housing	MRI-FLD4C	8
Remote Driver for (3) 1500 Lumen 4" Downlights	MRI-DRV-D010-UNV-FLD4C-15-3	2
Remote Driver for (2) 1500 Lumen 4" Downlights	MRI-DRV-D010-UNV-FLD4C-15-2	1
4" Downlight Module	MRI-FEU4C-1020-15-L930	8
3 or 4 Channel Filter	MRI-RF4	1
Remote Driver Enclosure	MRI-RDE	1
4" Trim, Haze, wide distribution	MRI-F4LC-W-1-H	8
Aluminum Hanger Bar, 26" (2/unit)	MRI-HB26	8

[additional product diagrams](#)

MRI-FLD4C



MRI-FLD6C



1. Housing

SAMPLE CATALOG NUMBER: **MRI-FLD4C**
MRI-FLD6C
BAA-MRI-FLD4C

Domestic Preferences	Series	Fixture
Domestic Preferences ⁽⁶⁾	Series	Fixture
[Blank] =Standard BAA =Buy American Act Notes (6) Only product configurations with this designated prefix are built to be compliant with the Buy American Act of 1933 (BAA). Please refer to DOMESTIC.PREFERENCES website for more information. Components shipped separately may be separately analyzed under domestic preference requirements.	MRI	FLD4C =4" Downlight FLD6C =6" Downlight

2. Remote Driver

SAMPLE CATALOG NUMBER: **MRI-DRV-5LTD-347-FLD4C-15-2**
MRI-DRV-D010-UNV-FLD6C-25-2

Domestic Preferences	Series	Component	Driver	Voltage	Fixture	Lumens	Number of downlights, one driver can power
Domestic Preferences ⁽⁶⁾	Series	Component	Driver	Voltage	Fixture	Lumens	Number of downlights, one driver can power
[Blank] =Standard BAA =Buy American Act	MRI	DRV =Remote Driver	D010 =0-10V Dimming (1%) DE010 =0-10V Dimming (0%) 5LTD =DALI (10%)	UNV =Universal Voltage 120-277V 347 =347V	FLD4C =4" Downlight FLD6C =6" Downlight	4" 05=500 Lumens 10=1000 Lumens 15=1500 Lumens 20=2000 Lumens 25=2500 Lumens 6" 10=1000 Lumens 15=1500 Lumens 20=2000 Lumens 25=2500 Lumens 30=3000 Lumens 35=3500 Lumens 40=4000 Lumens	1=1 downlight powered by 1 driver 2=2 downlights powered by 1 driver 3=3 downlights powered by 1 driver 4=4 downlights powered by 1 driver 5=5 downlights powered by 1 driver 6=6 downlights powered by 1 driver 7=7 downlights powered by 1 driver Notes See table below for maximum number of downlights per driver at each output.

3. Module

SAMPLE CATALOG NUMBER: **MRI-FEU4C-1020-15-L927**
MRI-FEU6C-3040-35-L930

Domestic Preferences	Power Module	Lumen Levels	CRI/Color
Domestic Preferences ⁽⁶⁾	Power Module	Lumen Levels	CRI/Color
[Blank] =Standard BAA =Buy American Act	MRI-FEU4C 4"	1020 05=500 Lumens 10=1000 Lumens 15=1500 Lumens 20=2000 Lumens 2540 25=2500 Lumens	L924=90 CRI, 2400K L927=90 CRI, 2700K L930=90 CRI, 3000K L935=90 CRI, 3500K L940=90 CRI, 4000K
	MRI-FEU6C 6"	1025 10=1000 Lumens 15=1500 Lumens 20=2000 Lumens 25=2500 Lumens 3040 30=3000 Lumens 35=3500 Lumens 40=4000 Lumens	

Maximum number of downlights per remote driver

	Fixture	Lumens	0-10V UNV	0-10V 347V	DALI
4"	MRI-FLD4C-05	500	7	6	7
	MRI-FLD4C-10	1000	5	4	5
	MRI-FLD4C-15	1500	3	3	3
	MRI-FLD4C-20	2000	2	2	2
	MRI-FLD4C-25	2500	1	1	1
6"	MRI-FLD6C-10	1000	5	4	5
	MRI-FLD6C-15	1500	3	3	3
	MRI-FLD6C-20	2000	2	2	2
	MRI-FLD6C-25	2500	1	1	1
	MRI-FLD6C-30	3000	1	1	1
	MRI-FLD6C-35	3500	1	1	1
MRI-FLD6C-40	4000	1	1	1	

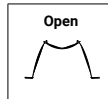
4. Remote Driver Enclosure

SAMPLE CATALOG NUMBER: **MRI-RDE**

Domestic Preferences	Driver Enclosure
Domestic Preferences ⁽⁶⁾	Driver Enclosure
[Blank] =Standard BAA =Buy American Act Notes (6) Buy American Act of 1933 (BAA). Please refer to DOMESTIC.PREFERENCES website for more information. Components shipped separately may be separately analyzed under domestic preference requirements.	MRI-RDE =MRI Remote Driver Enclosure ⁽⁵⁾ Notes (5) Remote Driver Enclosure can accommodate up to 4 Drivers.

5. Trim/Reflector 4" & 6"

SAMPLE CATALOG NUMBER: **MRI-F4LC-M-2-H**
MRI-F6LC-M-1-LI



Domestic Preferences	Base Trim	Distribution	Flange	Reflector Finish
Domestic Preferences ⁽⁶⁾	Base Trim	Distribution ⁽¹¹⁾	Flange	Reflector Finish
[Blank] =Standard BAA =Buy American Act	MRI-F4LC =(open) MRI-F6LC =(open)	M =Medium (50° Beam), Spun Aluminum W =Wide SW =Single Wall Wash Spun Aluminum (not IP rated) ⁽¹²⁾	1 =Self-flanged 2 =White Painted Self-flanged (not available with MW, or AMF reflector finish)	LI =Specular Clear H =Semi-Specular Clear WMH =Warm Haze MW =Matte White AMF =Antimicrobial Matte White GW =Gloss White
Notes (6) Only product configurations with this designated prefix are built to be compliant with the Buy American Act of 1933 (BAA). Please refer to DOMESTIC PREFERENCES website for more information. Components shipped separately may be separately analyzed under domestic preference requirements.		Notes (11) Product is marked spacing and must be installed with the following minimum spacing. Center to center of adjacent luminaires: 36". Center of luminaire to side of building member: 18" Minimum overhead: 1/2". (12) Not available on Vandal Resistant Open.		

6. Filter

SAMPLE CATALOG NUMBER: **MRI-RF2**

Domestic Preferences	Filter
Domestic Preferences ⁽⁶⁾	Filter
[Blank] =Standard	MRI-RF2 =MRI Filter, 1 or 2 Channels ⁽⁴⁾ MRI-RF4 =MRI Filter, 3 or 4 Channels ⁽⁴⁾
	Notes (4) 1 Channel required for each driver.



MRI-RF2
(1 or 2 channel)



MRI-RF4
(3 or 4 channel)

Materials

- Steel enclosure
- Steel threaded pipe
- Easy connect terminal blocks

Electrical

- Class II output 100W
- 3A / up to 40VDC

Specifications

- Insertion Loss (typical):
-100dB between 10Khz 1Ghz
- Operating temperature rating:
-10°C to +60°C

Mechanical Dimensions

Catalog Part Number	Length	Width	Depth (add 2.52" for metal pipe)
MRI-RF2	8.70"	3.98"	1.93"
MRI-RF4	8.70"	6.73"	1.93"

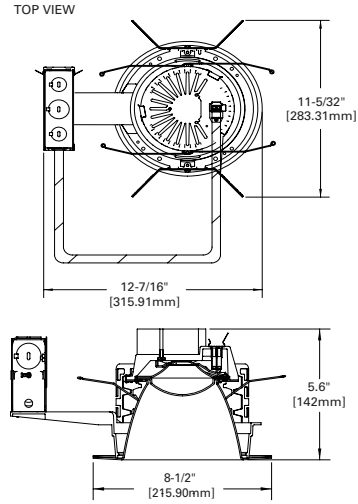
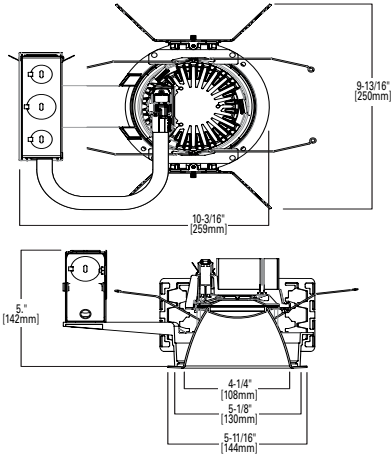
7. Aluminum Hanger Bar, 26"

SAMPLE CATALOG NUMBER: **MRI-HB26** (consists of (2) hanger bars)

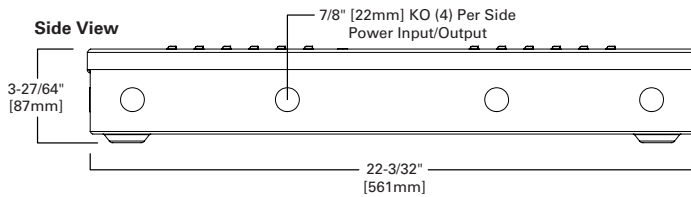
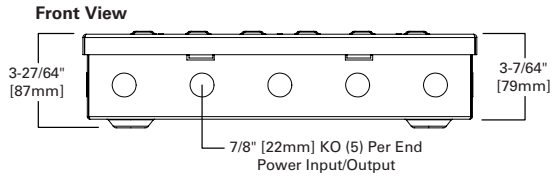
Domestic Preferences	Mounting Accessory
Domestic Preferences ⁽⁶⁾	Mounting Accessory
[Blank] =Standard BAA =Buy American Act	MRI-HB26 =Aluminum Hanger Bar, 26" ⁽¹³⁾
Notes (6) Only product configurations with this designated prefix are built to be compliant with the Buy American Act of 1933 (BAA). Please refer to DOMESTIC PREFERENCES website for more information. Components shipped separately may be separately analyzed under domestic preference requirements. (13) MRI-HB26 consists of 2 hanger bars.	

MRI-FLD4C - Dimensional and Mounting Details

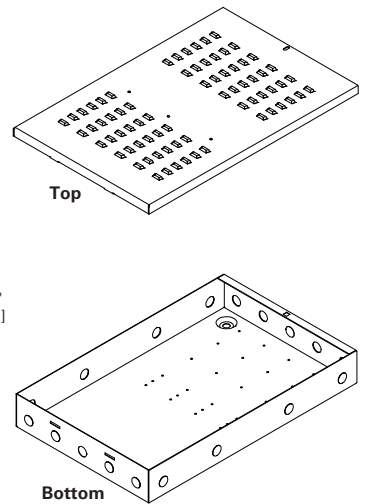
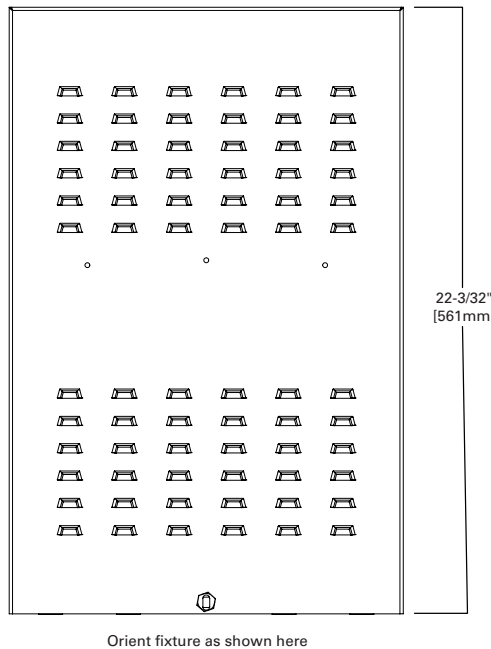
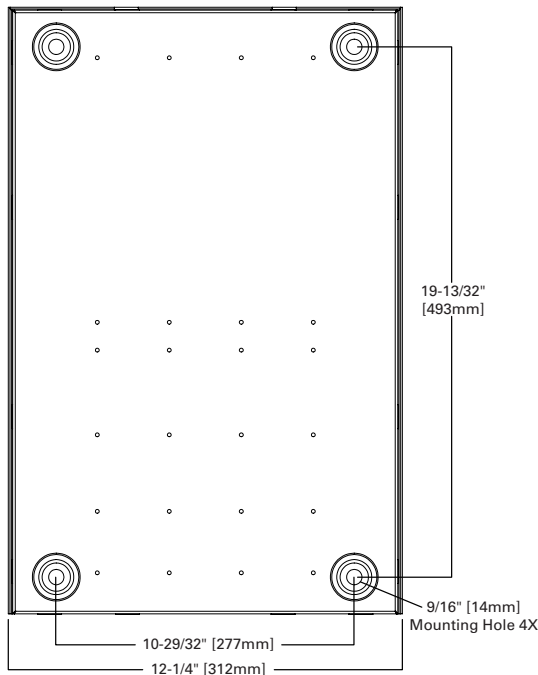
MRI-FLD6C - Dimensional and Mounting Details



Remote Driver Enclosure (4 drivers maximum per enclosure)

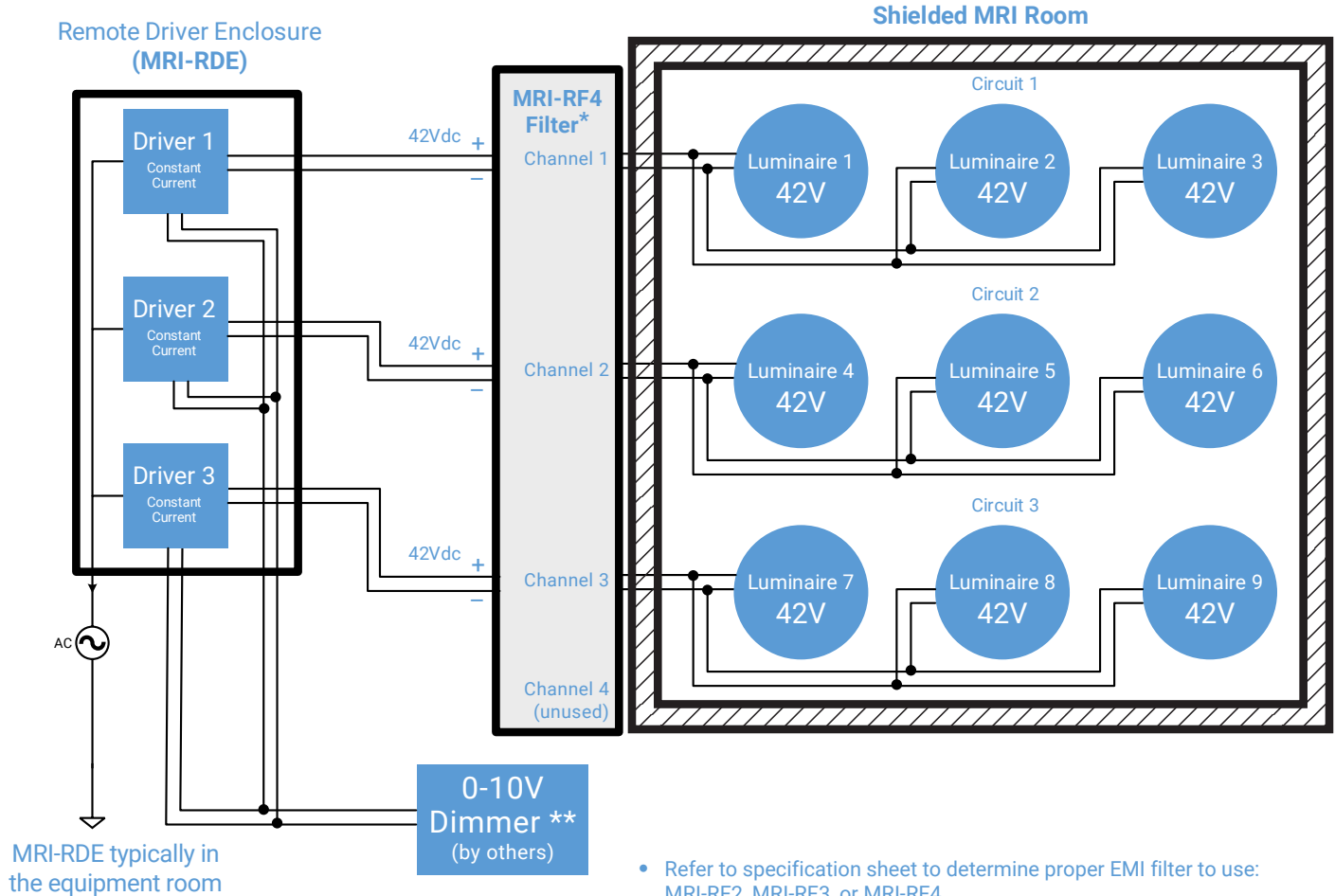


Mounting Detail



Wiring Diagram

Single MRI Room 9 Luminaires / 3 Drivers / Single Dimming Circuit



- Refer to specification sheet to determine proper EMI filter to use: MRI-RF2, MRI-RF3, or MRI-RF4
- Each luminaire circuit is the same catalog logic (wattage)
- All luminaires wired in parallel
- * 3 channel filter shown. Filters with 2, 3, or 4 channels (MRI-RF2, MRI-RF3, or MRI-RF4). One driver is connected to one filter channel. 4 channel (MRI-RF4) filter can be used with up to 4 drivers if necessary. A 4 channel filter (MRI-RF4) can be used with 1, 2, 3, or 4 drivers. Only use the necessary number of channels of the filter.
- ** Dimmer is outside the shielded MRI room, often in the control room.

Product Specifications

Lower Shielding Reflector

- Self-flanged, spun .050" thick aluminum lower reflector in combination with a lensed upper optical chamber provides superior lumen output with minimal source brightness.

Trim Retention

- Non-ferrous torsion springs (2) pull trim flush to the ceiling.

LED

- High brightness LED's combined with a high reflectance upper reflector and convex lens for even distribution with no pixilation.
- Lumen output shall not decrease by more than 10% over the minimum life of 55,000 hours (L90 > 55,000 hours).
- Auto resetting, thermally protected, LED's turn off if safe operating temperatures exceeded.
- Color variation within 3-step MacAdam ellipses.
- Disconnect allows for tool-less replacement of LED engine from below ceiling.
- Available 90 CRI.

Plaster Frame Collar

- Die-cast aluminum 1 1/2" deep collar.
- Accommodates up to 2" ceiling thickness.

Driver/Electrical

- Combination 120-277V 0-10V driver provides flicker free dimming from 100% to 1%.
- Available 0-10V 347V and DALI.

Construction

- Fixture housing and power module constructed of non-ferrous material.
- Remote driver enclosure constructed of galvanized steel.

Lenses

- All versions include a nonremovable upper lens, 0.060" thick frosted polycarbonate.

Compliance

- UL listed for damp locations
- Non-ferrous construction with remote drivers for MRI use.

Warranty

- Five year warranty.

Energy and Performance Data

	Housing	Module	Lumens	Input Wattage	LPW
4"	MRI-FLD4C	MRI-FEU4C-05	500	7.8	64
	MRI-FLD4C	MRI-FEU4C-10	1000	10.4	96
	MRI-FLD4C	MRI-FEU4C-15	1500	16.6	90
	MRI-FLD4C	MRI-FEU4C-20	2000	22.6	88
	MRI-FLD4C	MRI-FEU4C-25	2500	32.6	77
6"	MRI-FLD6C	MRI-FEU6C-10	1000	10.4	96
	MRI-FLD6C	MRI-FEU6C-15	1500	16.6	90
	MRI-FLD6C	MRI-FEU6C-20	2000	22.6	88
	MRI-FLD6C	MRI-FEU6C-25	2500	32.6	77
	MRI-FLD6C	MRI-FEU6C-30	3000	36.2	83
	MRI-FLD6C	MRI-FEU6C-35	3500	39.8	88
	MRI-FLD6C	MRI-FEU6C-40	4000	47.9	84

(Input wattage @ 277V supply)