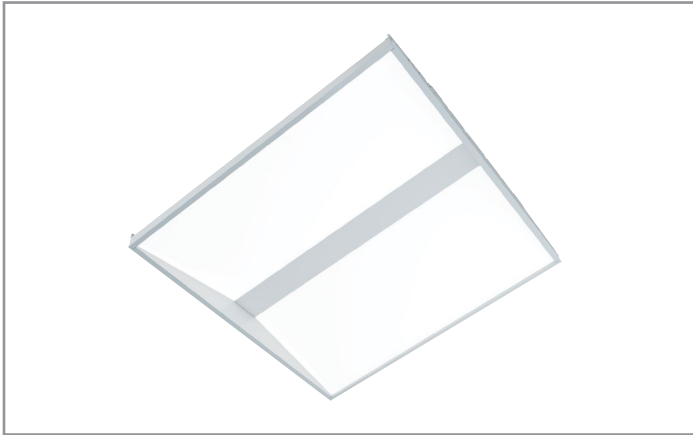


Project		Catalog #		Type	
Prepared by		Notes		Date	



Metalux

Encounter 22EN LED

2' x 2' Troffer LED Module
Specification Grade Troffer

Typical Applications

- Commercial Office Spaces • Schools • Hospitals • Retail
- Other Indoor Ambient Applications

Product Certification



Product Features



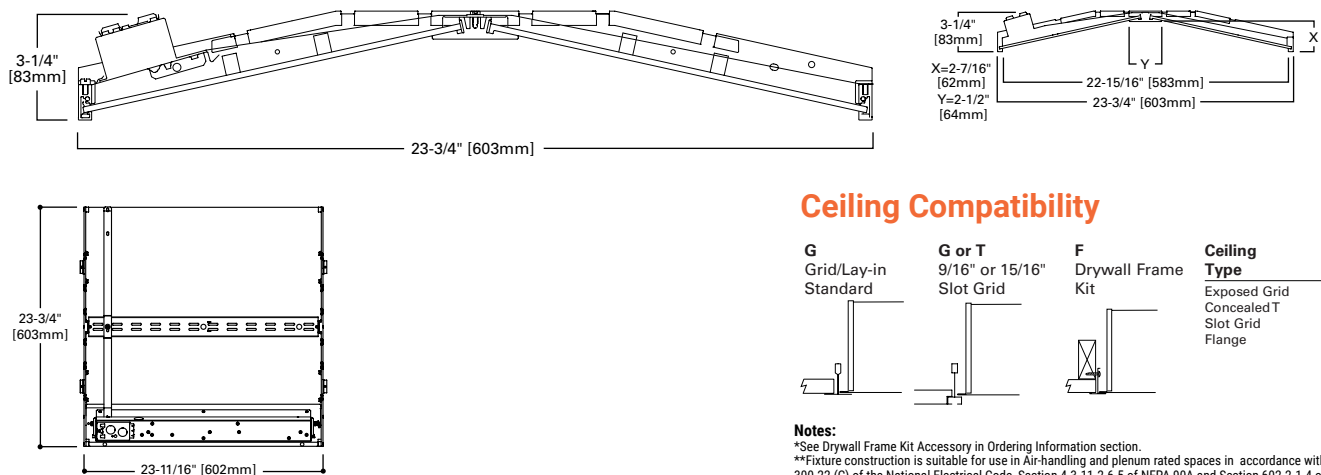
Interactive Menu

- Order Information [page 2](#)
- Photometric Data [page 3](#)
- Control Solutions [page 4](#)
- Product Warranty

Top Product Features

- Available in 1' x 2', 1' x 4', 2' x 2' and 2' x 4' recessed versions
- Leverages our patented WaveStream Technology with AccuAim™ optics
- Four CCT options: 3000K, 3500K, 4000K, and 5000K at 80CRI or 90 CRI
- White tuning solutions available, either 3000K - 5000K or 2700K - 6500K
- Efficacy up to 143 lumens per watt
- Options to meet Buy American and other domestic preference requirements

Dimensional and Mounting Details



Ceiling Compatibility

G	G or T	F	Ceiling Type	Trim Type
Grid/Lay-in Standard	9/16" or 15/16" Slot Grid	Drywall Frame Kit	Exposed Grid	G
			Concealed T	G or T
			Slot Grid	G or T
			Flange	*

Notes:
 *See Drywall Frame Kit Accessory in Ordering Information section.
 **Fixture construction is suitable for use in Air-handling and plenum rated spaces in accordance with Section 300.22 (C) of the National Electrical Code, Section 4.3.11.2.6.5 of NFPA 90A and Section 602.2.1.4 of ICC.

Order Information

SAMPLE ORDER NUMBER: **22EN-LD2-34-UNV-L835-CD1-WPN-U**

Domestic Preferences	Rating	Series	Air	Lamp Type	Lumen Outputs	Voltage
Domestic Preferences ⁽¹⁾	Rating	Series ⁽³⁾	Air	Lamp Type	Lumen Outputs	Voltage ⁽⁶⁾
[Blank] =Standard BAA =Buy American Act TAA =Trade Agreements Act	[Blank] =Standard ATW-SW4 = Chicago Rated ⁽²⁾	22EN =2' x 2' Encounter Series	[Blank] =Standard A =Air (Vented) ⁽⁴⁾	LD2 =LED 2.0	Stock 25 =2500 Lumens ^{(5),(6)} 34 =3400 Lumens ^{(5),(6)} MTQ 19 =1900 Lumens ^{(5),(6),(7)} 30 =3000 Lumens ^{(5),(6)} 39 =3900 Lumens 43 =4300 Lumens	UNV =Universal Voltage 120-277 347V =347 Volt ⁽⁹⁾ 120V =120 Volt ⁽¹⁰⁾ 277V =277 Volt ⁽¹⁰⁾
Notes (1) Only product configurations with these designated prefixes are built to be compliant with the Buy American Act of 1933 (BAA) or Trade Agreements Act of 1979 (TAA), respectively. Please refer to DOMESTIC.PREFERENCES website for more information. Components shipped separately may be separately analyzed under domestic preference requirements.	Notes (2) Chicago rated version does not allow for row mounting.	Notes (3) DesignLights Consortium® Qualified and classified for both DLC Standard and DLC Premium, refer to www.designlights.org for details.	Notes (4) Air version is vented but does not meet air handling requirements.		Notes (4) 1900, 2500, 3000 and 3400 lumen option are not available with a Fifth Light DALI (SLTD) driver. (5) Step-dim driver not available with 1900, 2500, 3000 and 3400 lumen option. (7) White tuning not available with 1900 lumen option.	Notes (8) Products also available in non-US voltages and frequencies for international markets. (9) 347V emergency option not available. (10) Must specify voltage as 120V or 277V when ordering GTR2 option.

Emergency Options	CCT	Flex	Driver Type
Emergency Options	CCT	Flex	Driver Type
EL7W =7-watt 120V-277V emergency battery pack ⁽¹¹⁾ EL10W =10-watt 120V-277V emergency battery pack ⁽¹¹⁾ EL14W =14-watt 120V-277V emergency battery pack ⁽¹¹⁾ EL10WSD =10W emergency battery pack with self-diagnostic installed ^{(11),(14)} EL14WSD =14W emergency battery pack with self-diagnostic installed ^{(11),(14)} GTR2 =Bodine Generator Transfer Relay ^{(12),(13)} ETRD =Emergency Transfer Relay with dimming control ⁽¹²⁾	L830 =3000K L835 =3500K L840 =4000K L850 =5000K L930 =3000K L935 =3500K L940 =4000K L950 =5000K L83050 =80CRI 3000K-5000K White Tuning ⁽¹⁵⁾ L93050 =90CRI 3000K-5000K White Tuning ⁽¹⁵⁾ L82765 =80CRI 2700K-6500K White Tuning ⁽¹⁵⁾ L92765 =90CRI 2700K-6500K White Tuning ⁽¹⁵⁾	A3/8-4/18GDIM =3/8" Flex with 0-10V Dimming Leads Multiple other configurations available. See below for details. A3/8-5/18GDIM =Flex with 0-10V Dimming leads and Blue for alternate wiring. See below for details.	CD =0-10V Driver (1%-100% Dimming) SLTD =DALI Driver (5%-100% Dimming) ⁽¹⁶⁾ SLTHD =DALI Driver (1%-100% Dimming) SD =Step Dimming Driver (50% or 100% Dimming) ⁽¹⁷⁾ LH =Lutron HiLume (LDE1 series) 1%-100% EcoSystem Driver with Soft-on Fade to Black dimming ⁽¹⁷⁾ W2A =White Tuning, 2ch, Intensity and CCT Control ⁽¹⁸⁾ SR =Sensor-ready Driver (1%-100% Dimming)
Notes (11) Factory installed with integral test switch/indicator/laser test. For approximate delivered lumens multiply the lumens per watt of the desired fixture by the wattage of the emergency battery pack (100 lm/W x 7=700 lumens). IES-format photometry for luminaire under emergency operation available. Battery option increases total height by 1 inch. (12) Used to bypass local control during outage. Must be used in conjunction with UL 1008 device (provided by others). GTR2 option includes 2 relays on fixtures with dimming drivers. ETRD option only requires one relay when used on a dimming fixture. (13) Must specify voltage as 120V or 277V when ordering GTR2 option. (14) EL10WSD and EL14WSD not available with 347V.	Notes (15) White tuning provides correlated color temperatures (CCT) between 3000K (warm) to 5000K (cool) or 2700K (warm) to 6500K (cool). Must be used in conjunction with W2A driver only. Must be used with two (2) 10V dimming control channels, 1 color, 1 intensity.	Flexible Metal Conduit Options Flex options available for 0-10V dimming control, DALI dimming control, emergency and night light functions. 72-inch factory-installed and pre-wired to driver, fitted to luminaire housing access plate with 90° enclosed FMC connector. Not all options may be combined and installation ratings vary by type. A3/8-4/18GDIM series notes: Factory installed dimming option 3/8" flexible metal conduit with 2-#18 power and ground wires and 2-#18 UL-listed jacketed 0-10V +/- control wires. Meets UL 66, 83, 1479, 1569, 1581, 2556. NEC® 250.118, 300.22(C), 392, 396, 330, 501, 502, 503, 530, 504, 505, 518, 520, 530, 645, 72; Federal Specification A-A-59544 (formerly J-C-308); all applicable OSHA and HUD Requirements. UL Classified 1-, 2-, and 3-hour through penetration with applicable fire stop product (not included). May be surface mounted, fished and/or embedded in plaster. Cable tray and approved raceway rated, install per NEC®; Environmental Air-Handling Space Installation per NEC® 300.22(C).	Notes (16) 1900, 2500, 3000 and 3400 lumen options not available with DALI (SLTD) driver. (17) Step-dim (SD) driver not available with 1900, 2500, 3000 and 3400 lumen option. (18) White tuning provides correlated color temperatures (CCT) between 3000K (warm) to 5000K (cool) or 2700K (warm) to 6500K (cool). Must be used in conjunction with W2A driver only. Must be used with two (2) 10V dimming control channels, 1 color, 1 intensity. Integrated options must be used in conjunction with the associated system and may not be compatible with other options or accessories. Please refer to the following: (F) Consult Marketplace Options - Lutron system pages for additional details and compatibility. Compatible only with driver series shown, and may require two or more drivers. Requires field commissioning to operate or dim. Contact Lutron at www.lutron.com .

Number of Drivers	Integrated Sensing Systems	Packaging	Accessories
Number of Drivers	Integrated Sensing Systems	Packaging	Accessories (order separately) ⁽²¹⁾
1=1 Driver	[Blank] =No Sensor WLS (formerly WAB) =WaveLinX LITE Wireless Sensor, Occupancy w/ photocell, Independent & Networked ^{(20),(B)} WPS (formerly WAA) =WaveLinX PRO Wireless Sensor, Occupancy w/ photocell, Networked ^{(19),(A)} WLN =WaveLinX LITE Wireless Control Node, without sensor ^{(20),(B)} WPN =WaveLinX PRO Wireless Control Node, without sensor ^{(19),(A)}	U =Unit Pack PALC =Job Pack, in carton	T3A END E.Q. BRACKET PARTS BAG (Standard with fixture) DF-22W-U =2' x 2' Drywall Frame Kit SK-22-WS =2' x 2' Shallow Surface Mount Kit SK-22-WT =2' x 2' Tall Surface Mount Kit
	Notes (19) WPS sensor and WPN node to be used with CD or W2A driver. Consult factory for WPN with tunable white W2A driver. (20) WAB sensor and WLN node to be used with CD driver. Integrated options must be used in conjunction with the associated system and may not be compatible with other options or accessories. Please refer to the following: (A) Consult WaveLinX PRO system pages for additional details and compatibility. (B) Consult WaveLinX LITE system pages for additional details and compatibility.		Notes (21) Accessories sold separately will be separately analyzed under domestic preference requirements. Consult factory for further information. Integrated options must be used in conjunction with the associated system and may not be compatible with other options or accessories.

Product Specifications

Construction

- Shallow 3-1/16" deep housing extruded aluminum frame
- Injected molded composite end plates
- End plates screws for strength, rigidity and gap eliminations
- End plates accessory grid-lock feature adds safety
- Four auxiliary fixture end suspension points
- Large access plate for supply connection

Controls

- 0-10V dimming to 1% standard
- Integrated WaveLinX options provide wireless individual fixture control and enable code compliance, increased energy savings, grouping of fixtures, and connection to WaveLinX control systems
- DALI 2.0, Lutron, and step-dimming available

Electrical

- LED's available in 3000K, 3500K, or 4000K at 80 CRI or 90 CRI minimum
- Color accuracy ≤ 3 -Step MacAdam ellipse (SDCM)
- TM21 life at 60,000 hours up to L92 and calculated L70 exceeds 288,000 hrs
- Drivers available in 120-277V and 347V
- Tunable white options available with Cooper Lighting's VividTune

Emergency Battery Pack Options

- 120V-277V integral emergency battery pack comes in 7-watts, 10-watt, or 14-watts
- Self-diagnostic emergency battery available in 10 or 14-watts (NFPA 101® Life Safety Code®)
- Constant power to the LED system for controlled, predictable discharge
- Integrated test switch/indicator light visible from floor
- Min. 90-minute backup period for code compliance
- Integral emergency transfer relay available for generator equipped power systems

Finish

- High reflectance baked matte white enamel finish

Optics

- Precision formed optical assembly
- Positively retained high optical grade acrylic lenses
- WaveStream technology provides a visually comfortable fully luminous surface

Compliance

- Components are UL recognized
- cULus Damp Location listed for 25C ambient indoor environments
- Complies with IESNA LM-79 and LM-80 standards
- DesignLights Consortium® Qualified and classified for DLC Standard and DLC Premium (refer to www.designlights.org)

Warranty

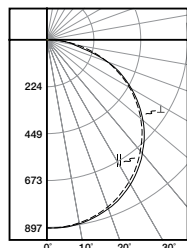
- Five year limited warranty standard. Optional ten year limited warranty available

Driver Access

- Drivers can be accessed via plenum

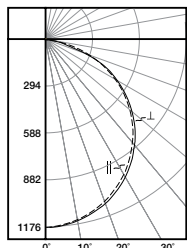
Photometric Data

[View IES files](#)



22EN-LD2-25-UNV-L835-CD1-U

Electronic Driver
 Linear LED 3500K
 Spacing criterion: (II) 1.27 x mounting height,
 (L) 1.29 x mounting height
 Lumens: 2648
 Input Watts: 20W
 Efficacy: 132.4 lm/W
 Test Report: 22EN-LD2-25-UNV-L835-CD1-U.IES



22EN-LD2-34-UNV-L835-CD1-U

Electronic Driver
 Linear LED 3500K
 Spacing criterion: (II) 1.27 x mounting height,
 (L) 1.29 x mounting height
 Lumens: 3471
 Input Watts: 28.5W
 Efficacy: 121.8 lm/W
 Test Report: 22EN-LD2-34-UNV-L835-CD1-U.IES

Energy and Performance Data

Stock or MTO	Catalog Logic	Delivered Lumens	Watts	Efficacy (LPW)
MTO	22EN-LD2-19-UNV-L835-CD1-U	2091	16.5	127
STOCK	22EN-LD2-25-UNV-L835-CD1-U	2648	20	132
STOCK	22EN-LD2-25-UNV-L840-CD1-U	2701	20	135
MTO	22EN-LD2-30-UNV-L835-CD1-U	3078	24.9	124
STOCK	22EN-LD2-34-UNV-L835-CD1-U	3471	28.5	122
STOCK	22EN-LD2-34-UNV-L840-CD1-U	3540	28.5	124
MTO	22EN-LD2-39-UNV-L835-CD1-U	3979	33.3	119
MTO	22EN-LD2-43-UNV-L835-CD1-U	4478	38.3	117

Shipping Data

Catalog No.	Weight (lbs)	Units per Pallet 49" L x 52" W x 55" H
22EN-LD2	14	40

Lumen Maintenance

Ambient Temperature	TM-21 Lumen Maintenance (60,000 hours) ⁽¹⁾	Theoretical L70 (Hours) ⁽²⁾
25°C	> 92%	> 288,000

Notes: (1) Supported by IES TM-21 standards. (2) Theoretical values represent estimations commonly used; however, refer to the IES position on LED Product Lifetime Prediction, IES PS-10-18, that explains proper use of IES TM-21 and LM-80.

Lumen Calculator

CCT Multiplier	80 CRI	90 CRI
3000K	0.970	0.835
3500K	1.000	0.864
4000K	1.020	0.901
5000K	1.110	0.955

Example of Lumen Adjustment Calculation

22EN-LD2-25-UNV-L835-CD1-U
 at 90CRI at 3500K

Lumen Adjustment Factor = 0.864

Total Light Output = 2,648 lm x 0.864 = 2,287 lm

Efficacy = $\frac{2,287 \text{ lm}}{20 \text{ W}}$ = 114.3 lm/W

Control Solutions

- WaveLinX LITE wireless
- WaveLinX PRO wireless
- WaveLinX CAT wired
- WaveLinX Wired



The Encounter with WaveLinX offers no-hassle lighting control with multiple luminaire level control solutions.



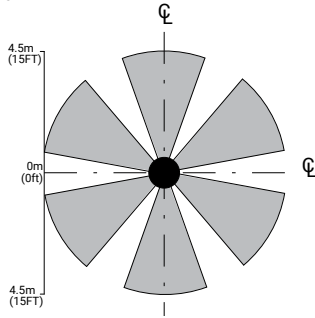
WaveLinX PRO is a wireless lighting control solution, for connected spaces, that significantly reduces a building's energy consumption. From a single floor to an entire campus, WaveLinX PRO connects more than lighting assets; it shares aggregated sensor data with the WaveLinX CORE platform and other building systems, so building owners can improve operations, spaces environment, and tenants' experience. WaveLinX PRO offers a rich portfolio of wireless devices, WaveLinX PRO-enabled luminaires, and an intuitive WaveLinX mobile app for office, education, warehouse, and parking garage applications.



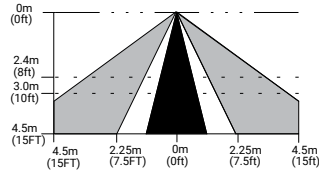
WaveLinX LITE is a cost effective, wireless digital lighting control solution, with out-of-the-box functionality, that saves energy and meets code. It's designed for applications that require occupancy-based, daylighting, or manual light control. Customize installations for office, education, warehouse and parking garages using the secure, simple mobile app.

Integrated Sensor Coverage Pattern

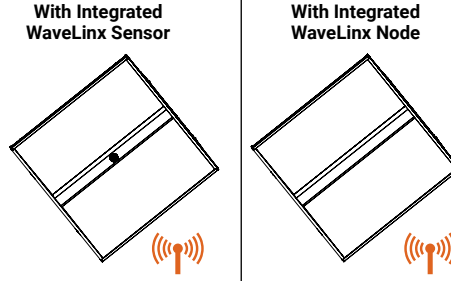
TOP VIEW:



SIDE VIEW:



Note: Installation of integrated sensors within 3-ft (1m) of HVAC air vents is not recommended. The pattern shown is intended solely as a general guide and is not to scale.



Add a hidden WaveLinX sensor node (WPN, WLN) to your space lighting design!

Allows to:

- Keeps luminaire aesthetics
- Connect fixtures without the realestate to include sensor option such as downlights
- Connect sealed fixtures without a standard sensor option such as products for clinical space.

Integrated Controls Options

Option	Out of the Box Functionality	Luminaire Level Lighting Control (LLC)	Automatic Dimming Photocell	Occupancy Sensing	CCT Control
WLS	X	X	X	X	
WLN		X			
WPS		X	X	X	X
WPN		X			X

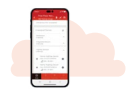
Note: WaveLinX utilizes scenes to allow users to change an area's fixtures Correlated Color Temperature (CCT) and intensity using commissioned manual wireless wallstation scene control. To enable CCT adjustments through WaveLinX, include WPS or WPN devices in addition to VividTune or BioUp technologies for integrated fixture control.

Systems comparison chart

Cooper Lighting Solutions provides many lighting system solutions designed to satisfy code requirements and meet the unique needs of any project.



Luminaire with standalone sensor



Standalone Spaces WaveLinX LITE



Standalone Spaces WaveLinX CAT



Networked Spaces WaveLinX PRO



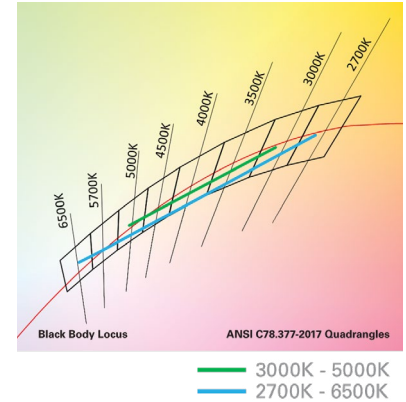
Enterprise WaveLinX CORE

	Luminaire with standalone sensor	Standalone Spaces WaveLinX LITE	Standalone Spaces WaveLinX CAT	Networked Spaces WaveLinX PRO	Enterprise WaveLinX CORE
Occupancy	Yes	Yes	Yes	Yes	Yes
Daylighting	Yes	Yes	Yes	Yes	Yes
Wallstations	-	Yes	Yes	Yes	Yes
Gateways	-	-	-	1 WAC	300 WACs
Devices (MAX)	-	40 per Area (1120 per space)	40 per Area	200 per WAC2	32,500 per CORE Enterprise
Software	-	WaveLinX LITE Mobile App	WaveLinX CAT Mobile App	WaveLinX Mobile App	CORE
Areas	-	28 per Space	Unlimited	50 per WAC2	up to 3,000
Zones	-	16 per Area	16 per Area	16 per Area	up to 9,000
Scheduling	-	-	-	Local	Global
VividTune™	-	-	-	Yes	Yes
Plug-Load Control	-	Yes	Yes	Yes	Yes
Low-Voltage Power	-	-	Yes	Yes	Yes
Integration	-	-	-	-	BACnet, API
Dashboards	-	-	-	-	Energy, Occupancy
Configuration	-	Installer	Installer	Technician	Technician / IT



22EN LED with VividTune Tunable White

VividTune tunable white luminaires from Cooper Lighting Solutions deliver high-quality light in a broad range of continuously variable color temperatures and intensities. Create a dynamic environment by adjusting the ambient light warmer or cooler to influence mood, support the task at hand, or create a dramatic ambience. The ability to control correlated color temperature and intensity separately using simple controls is the next evolution of LED lighting for the commercial, educational, healthcare and hospitality space. The unparalleled flexibility and number of available lighting environments enable users to find the right light with tunable white.



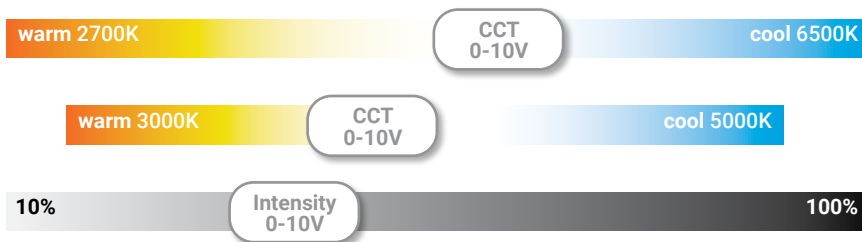
Performance Data*

Tunable White - Lumen Adjustment Factors (example only)				
CCT	3000K-5000K		2700K-6500K	
	80 CRI	90 CRI	80 CRI	90 CRI
2700K	-	-	0.858	0.709
3000K	0.930	0.776	0.867	0.731
3500K	0.945	0.795	0.895	0.748
4000K	0.949	0.825	0.883	0.781
4500K	0.962	0.830	0.909	0.776
5000K	0.963	0.834	0.907	0.796
6500K	-	-	0.912	0.816

2' x 2' Encounter LED - Example of Approximate Lumen Calculation			
	Standard Catalog #	VividTune 80 CRI Catalog #	VividTune 90 CRI Catalog #
CCT Setting	22EN-LD2-25-UNV-L835-CD1-U	22EN-LD2-25-UNV-L83050-W2A1-U	22EN-LD2-25-UNV-L93050-W2A1-U
3000K	-	2462	2056
3500K	2648	2502	2104
4000K	-	2513	2186
4500K	-	2547	2197
5000K	-	2549	2207

Controlling VividTune Tunable White

VividTune luminaires make tunable white more accessible by using simple and familiar controls. From wall dimmers to wireless controls, VividTune tunable white luminaires are compatible with industry standard 0-10V dimming controls. A single 0-10V dimming input is used to control intensity (brightness) while a second 0-10V dimming input is used to adjust CCT. For suggested control configurations, [click here](#) for tunable white application guides.



Example of Lumen Adjustment Calculation

22EN-LD2-25-UNV-L83050-W2A1-U at 80 CRI tuned to 3500K

$$\text{Adjusted Lumen} = \text{published } lm \times \text{adjusted } lm \text{ factor}$$

$$\text{Adjusted Lumen} = 2648 \times 0.945$$

$$\text{Adjusted Lumen} = 2502 \text{ lm}$$

* Lumen adjustment factors are for reference and may be different for each product selected. Refer to IES files for actual performance data on each.