

Project		Catalog #		Type	
Prepared by		Notes		Date	



## Portfolio

### LDS4C | EU4C | 4LBS

4" round, new construction shallow downlight  
98CRI, Tunable white and dim to warm  
250-3000 Lumens

#### Typical Applications

Office • Education • Healthcare • Hospitality • Retail •  
Code-Compliance Areas • Sports Venues

### Interactive Menu

- Order Information page 2
- Product Specifications page 3
- Energy Data page 4
- Photometric Data page 5
- Connected System page 6
- Product Warranty

### Product Certification



### Control Compatibility



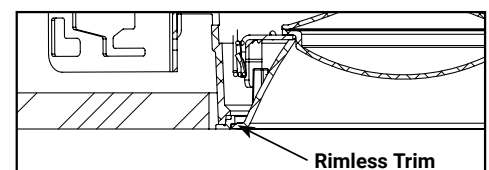
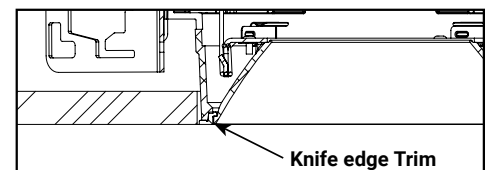
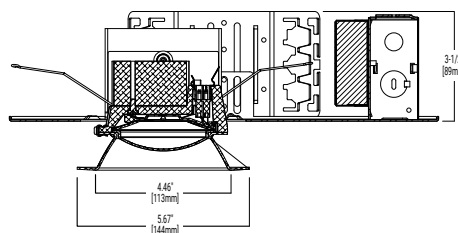
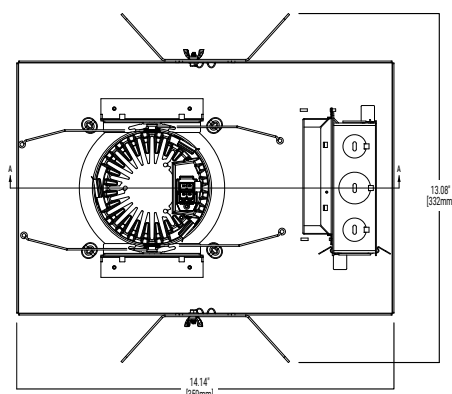
### Product Features



### Top Product Features

- 250-3000 lumens; ENERGY STAR® qualified
- Optional snap in driver for ease of replacement; Die-cast or anodized aluminum reflectors
- Standard 0-10V driver dims to 1%; Easy disconnect for LED engine replacement and installation
- 98 CRI; 2400K, 2700K, 3000K, 3500K, 4000K, 5000K; D2W™ option from 3000K to 1850K
- W2N tunable white CCT range 2700K to 6500K or 2000K to 5000K
- Options to meet Trade Agreements Act requirements

### Dimensional and Mounting Details



## Single Line Order Information

SAMPLE ORDER NUMBER: **LDS4C109030D010TRM1HEM6**

Invoice will indicate separate fixture components (housing, trim, module) which will ship complete from a single CLS facility in separate cartons.

To receive separate components (housing, trim, module) shipment, click on the "Multi-Line Ordering Information Option" button to the right.



Housing	Lumen <sup>(1)</sup>	Color Control		CCT <sup>(7)</sup>
<b>LDS4C</b> =LED Downlight 4" Nominal Aperture <b>LDS4CCP</b> =LED Downlight 4" Nominal Aperture, Chicago Plenum For TAA use <a href="#">Multi-line Ordering</a>	<b>02</b> =250 lumens <sup>(24)</sup> <b>05</b> =500 lumens <sup>(24)</sup> <b>08</b> =800 lumens <sup>(24)</sup> <b>10</b> =1000 Lumens <sup>(25)</sup> <b>15</b> = 1500 Lumens <b>20</b> = 2000 Lumens <b>25</b> = 2500 lumens <b>30</b> = 3000 Lumens <sup>(21)</sup>	<b>98</b> = Full spectrum (Thrive) used with 98 CRI light engine up to 2500 lumens <b>D2W</b> = Dim to warm for 800-2500; 90CRI, 3000K <b>W2N2765</b> = Tunable White for 1000-3000 lumens, 2700K-6500K (D5LT & DE010 drivers only), 90CRI <sup>(10)</sup> <b>W2N2050</b> = Tunable White for 1000-3000 lumens, 2000K-5000K (D5LT & DE010 drivers only), 90CRI <sup>(10)</sup>	<b>W2N27651</b> = 120V, Tunable white for 1500-3000 lumens, 2700K-6500K (D5LT and DE010 drivers), 90CRI <sup>(1)</sup> <b>W2N20501</b> = 120V, Tunable white for 1500-3000 lumens, 2000K-5000K (D5LT and DE010 drivers), 90CRI <sup>(1)</sup> <b>W2N27652</b> = 277V, Tunable white for 1500-3000 lumens, 2700K-6500K (D5LT and DE010 drivers), 90CRI <sup>(1)</sup> <b>W2N20502</b> = 277V, Tunable white for 1500-3000 lumens, 2000K-5000K (D5LT and DE010 drivers), 90CRI <sup>(1)</sup>	<b>98 CRI</b> <b>27</b> =2700K <b>30</b> =3000K <b>35</b> =3500K <b>40</b> =4000K <b>50</b> =5000K

Driver	Driver Options	Bar Hanger
<b>D010</b> = 0-10V Dimming, 1% to 100%, 120V-277V, <b>D2W</b> =800-2500 lumens / <b>98 CRI</b> =250-2500 lumens <b>3D010</b> =0-10V Dimming, 1% to 100%, 347V dedicated drivers, <b>D2W</b> =800- 2500 lumens / <b>98 CRI</b> =800-2500, and 250-500 use step down transformer	<b>Blank</b> = Integral driver <b>PD</b> = Plug in Driver <sup>(22)</sup>	<b>Blank</b> = Without hanger bars <b>B26</b> = C-channel Bar Hanger, 26" Long, Pair
<b>D010TR</b> = 0-10V (120-277V) or Phase-Cut (120V) dimming, 5-100%, <b>D2W</b> =800-2500 lumens / <b>98 CRI</b> =250-2500 lumens <b>3D010TR</b> =0-10V Dimming, 5% to 100%, 347V step down transformer, <b>D2W</b> =800-2500 lumens / <b>98 CRI</b> =250-2500 lumens		
<b>DE010</b> = 0-10V Dimming, 0% to 100%, 120V-277V, <b>D2W</b> =800-2500 lumens / <b>98 CRI</b> =500-2500 lumens / <b>W2N</b> =1000 lumens <b>1DE010</b> =0-10V Dimming, 0% to 100%, 120V, <b>W2N</b> =1500-3000 lumens <b>2DE010</b> =0-10V Dimming, 0% to 100%, 277V, <b>W2N</b> =1500-3000 lumens <b>3DE010</b> =0-10V Dimming, 0% to 100%, 347V step down transformer <b>D2W</b> =800-2500 lumens / <b>98 CRI</b> =500-2500 lumens / <b>W2N</b> =1000 lumens		
<b>D5LT</b> = Fifth Light <sup>®</sup> (DALI T6) Logarithmic Dimming, 0% to 100%, 120V-277V, <b>D2W</b> =800-2500 lumens / <b>98 CRI</b> =500-2500 lumens / <b>W2N</b> =1000 lumens <b>1D5LT</b> =Fifth Light <sup>®</sup> (DALI T6) Logarithmic Dimming, 0% to 100%, 0-10V Dimming, 120V, <b>W2N</b> =1500-3000 lumens <b>2D5LT</b> =Fifth Light <sup>®</sup> (DALI T6) Logarithmic Dimming, 0% to 100%, 0-10V Dimming, 277V, <b>W2N</b> =1500-3000 lumens <b>3D5LT</b> =Fifth Light <sup>®</sup> (DALI T6) Logarithmic Dimming, 0% to 100%, 347V step down transformer <b>D2W</b> =800-2500 lumens / <b>98 CRI</b> =500-2500 lumens / <b>W2N</b> =1000 lumens		
<b>DMX</b> = DMX/RDM Logarithmic Dimming, 0% to 100%, 120V-277V, <b>D2W</b> =800-2500 lumens / <b>98 CRI</b> =800-2500 lumens <sup>(14)</sup> <b>3DMX</b> =DMX/RDM Logarithmic Dimming, 0% to 100%, 347V step down transformer, <b>D2W</b> =800-2500 lumens / <b>98 CRI</b> =800-2500 lumens <sup>(14)</sup>		
<b>DMXC5</b> = DMX/RDM Logarithmic Dimming, 0% to 100%, 120V-277V, RJ45 Connection, <b>D2W</b> =800-2500 lumens / <b>98 CRI</b> =800-2500 lumens <sup>(14)</sup> <b>3DMXC5</b> =DMX/RDM Logarithmic Dimming, 0% to 100%, RJ45 Connection, 347V step down transformer, <b>D2W</b> =800-2500 lumens / <b>98 CRI</b> =800-2500 lumens <sup>(14)</sup>		
<b>DLE</b> = Lutron Ecosystem dimming 1% to 100%, 120V-277V, <b>D2W</b> =800-2500 lumens / <b>98 CRI</b> =800- 2500 lumens <b>3DLE</b> =Lutron Ecosystem dimming 1% to 100%, 347V with step down transformer, <b>D2W</b> =800-2500 lumens / <b>98 CRI</b> =800-2500 Lumens		
<b>DLV</b> = Low voltage dimming driver (1-100%) for use with DLVP system, <b>D2W</b> =800-2500 lumens / <b>98 CRI</b> =800-2000 lumens (Limited to 2000 lumens with 98 CRI) <sup>(8)</sup>		

Trim Distribution	Trim Flange	Trim Finish	Options <sup>(3)</sup> <sup>(16)</sup> <sup>(23)</sup>
<b>S</b> =Shallow, Spun Aluminum <b>PS</b> =Non-Conductive Shallow (dead front), white <sup>(11)</sup> <sup>(12)</sup> <b>CS</b> =Cast Shallow, Die Cast Aluminum	<b>0</b> =White Polymer Trim Ring <b>1</b> =Self-flanged <sup>(13)</sup> <b>2</b> =White Painted Self-flanged <b>4</b> =Knife edge rimless use with die cast only <sup>(8)</sup> <sup>(6)</sup>	<b>LI</b> =Specular Clear <sup>(9)</sup> <b>H</b> =Semi-Specular Clear <sup>(9)</sup> <b>WMH</b> =Warm Haze <sup>(9)</sup> <b>WH</b> =Wheat <sup>(9)</sup> <b>GPH</b> =Graphite Haze <sup>(9)</sup> <b>B</b> =Specular Black <sup>(9)</sup> <b>MW</b> =Matte White (Antimicrobial) <b>MB</b> =Matte Black <sup>(8)</sup> <b>MMS</b> =Matte Metallic Silver <sup>(8)</sup>	<b>EMB0D6ST</b> =Bodine <sup>®</sup> 6W Self Test Emergency Module with Remote Test Switch

Accessories (Order separately) <sup>(20)</sup>			
<b>TRM4P</b> =White Metal Trim Ring <sup>(2)</sup> <b>LGSKT4IP66</b> =IP66 Gasket Kit <b>PRR4</b> =Rimless Plaster Ring <sup>(5)</sup> <b>RKP4</b> =Knife Edge plaster Ring <sup>(5)</sup>	<b>RPM4MW</b> =Rimless Millwork Ring, Matte White <sup>(2)</sup> <b>RPM4MB</b> =Rimless Millwork Ring, Matte Black <sup>(2)</sup> <b>RKM4MW</b> =Knife Edge Millwork Ring, Matte White <sup>(5)</sup> <b>RKM4MB</b> =Knife Edge Millwork Ring, Matte Black <sup>(5)</sup> <b>HSA4</b> =Slope Adapter for 4" Aperture Housings, Specify Slope <sup>(27)</sup>	<b>Bar Hangers</b> <b>HB50</b> =C-channel Bar Hanger, 50" Long, Pair <b>RMB22</b> =Wood Joist Bar Hanger, 22" Long, Pair	<b>Connected Lighting Systems</b> <sup>(9)</sup> <sup>(15)</sup> <b>WPST</b> = Field installed WaveLinX sensor Kit <sup>(17)</sup> <b>WLST</b> = Field installed WaveLinX LITE Sensor Kit <sup>(18)</sup> <b>WPN</b> = WaveLinX PRO Wireless Node without sensor <sup>(26)</sup>

- Notes:**
- Nominal Lumens will vary depending on selected color, CRI, driver and reflector finish. Reference IES files.
  - Order trim with polymer trim ring.
  - Not available with Chicago Plenum.
  - ULUS listed only.
  - Order die cast trim with flange type 4
  - Requires knife edge accessory ring.
  - Not required for W2N and D2W.
  - Available only on CS distributions.
  - Not available on PS or CS distributions.
  - Limited to 1000 lumens with remote driver
  - PS available in self-flanged MW finish only.
  - Offered up to 2000 lumens
  - Flange is the same finish as the reflector
  - DMX fixtures default to full on upon loss of DMX signal.
  - Refer to system specifications for additional information, features, and benefits. Use with 0-10V driver.
  - Non-IC
  - WLST = WaveLinX LITE tilemount sensor kit for daylight dimming, PIR motion sensing, use with D010 only (Refer to WaveLinX LITE system specifications)
  - WPST = WaveLinX wireless sensor kit for daylight dimming, PIR motion sensing, and optional RLTS - Real Time Location Services, use with 0-10V only.
  - Only product configurations with these designated prefixes are built to be compliant with the Buy American Act of 1933 (BAA) or Trade Agreements Act of 1979 (TAA), respectively. Please refer to [DOMESTIC.PREFERENCEES](#) website for more information. Components shipped separately may be separately analysed under domestic preference requirements. Offered with shallow (S) spun trim.
  - Accessories sold separately will be separately analysed under domestic preference requirements. Consult factory for further information.
  - W2N is marked spacing for 3000 lumens. W2N is marked spacing and must be installed with the following minimum spacing.
  - Center to center of adjacent luminaires: 36"
  - Center of luminaire to side of building member: 36"
  - Minimum overhead: 0.5"
  - Not available with DLVP
  - 120V-277V
  - IC rated
  - Tunable white IC rated with 1000 lumens
  - WPN = WaveLinX PRO wireless node provides luminaire-level control with scene and zone configuration without an integrated sensor; Connects wirelessly with daylight dimming sensor and PIR motion sensor if desired. Use with 0-10V driver only.
  - Not recommended for use with Wall Wash

## Product Specifications

### Lower Shielding Reflector

- Painted die cast aluminum, spun aluminum or nonconductive injection molded lower reflector with a lensed upper optical chamber providing superior lumen output with minimal source brightness
- Spun reflectors are offered in all Portfolio anodized finishes
- Reflector is retained with two torsion springs holding the flange tight to the finished ceiling surface
- Plaster lathing ring accessory offered for flush reflector transition

### Plaster Frame

- Galvanized steel plaster frame designed for ceiling thickness from 1/2 to 1-1/4-inch

### Universal Mounting Bracket

- Accepts 1/2" Electric Metallic Tube (EMT), C-channel and bar hangers
- Adjusts 5" vertically from above and below the ceiling

### Junction box

- Four 1/2" and two 3/4" trade size pry outs positioned to allow straight conduit runs
- Lever connectors for simple push in wiring
- Listed for (4) #12 AWG (two in, two out) 90°C conductors and feed thru branch wiring for type IC and Plug in drivers for 120/277V only. For all other cases (8) #12 AWG (four in, four out) 90°C conductors and feed thru branch wiring for 120/277V only

### Thermal

- Aluminum heat sink conducts heat away from the LED module for improved performance and longer life

### LED System

- Contains a plurality of high brightness white LED's combined with a high reflectance upper reflector and convex transitional lens producing even distribution without pixilation
- Auto resetting, thermally protected, LED's are turned off when safe operating temperatures are exceeded
- Quick disconnect allows for tool-less replacement of LED engine from below ceiling
- 98 CRI and W2N: L70 55,000 hours
- Color variation within 2-step MacAdam ellipses

- Available in 2400K, 2700K, 3000K, 3500K, 4000K and 5000K correlated color temperature (CCT)
- D2W™ – dim-to-warm shifts CCT from 3000K to 1850K as fixture dims mimicking halogen sources.
- W2N - Tunable white CCT range 2700K to 6500K or 2000K to 5000K, 90 CRI. Standard
- **98 CRI** With a full-spectrum approach using broad-blue chip technology and special phosphor blends, Thrive is able to closely match the spectrum of the sun across all color temperatures. Benefits of the natural spectrum of the sun using Thrive include superior accurate color rendering, reduced eye strain, and a higher sense of emotional well-being.

### Driver

- Standard 120-277V 0-10V dimming driver provides flicker free dimming from 100% to 1%
- Optional 120V leading edge/0-10V, <1% 0-10V, Fifth Light, DMX or Lutron® Ecosystem
- Distributed low voltage power system combines power, lighting, and controls with ease of installation.
- Optional magnetically guided snap in driver for ease of maintenance.

### Emergency Option

- 6W battery provides 90 minutes of standby lighting, meeting most life safety codes for egress lighting.
- UL 924 listed

### Connected Lighting System

Two WaveLinX connected solutions to choose from. Refer to WaveLinX system specifications and application guides for details.

#### WaveLinX PRO Tilemount Sensor Kit

- WaveLinX WPST tilemount sensor kit offers daylight dimming, PIR motion sensing, scene and zone configuration, automatic commissioning; and optional RLTS - Real Time Location Services available.

#### WaveLinX PRO Wireless Node

- WaveLinX PRO wireless node provides luminaire-level control with scene and zone configuration without an integrated sensor; Connects wirelessly with daylight dimming sensor and PIR motion sensor if desired. Use with 0-10V driver only.

#### WaveLinX LITE Tilemount Sensor Kit

- WaveLinX LITE WLST tilemount sensor kit offers daylight dimming and PIR motion sensing, scene and grouping configuration.

#### WaveLinX Tilemount Kits Application

- The WPST and WLST tilemount kits include a control module mounted on the luminaire junction box via 1/2" knock-out, and a tilemount sensor on 54-inch whip; for ceiling installation by direct-mount spring clips or via mounting bracket in octagon ceiling boxes.
- The WPST and WLST tilemount kits may be ordered as factory installed on the luminaire, or ordered separately as a field installed accessory kit.

#### Code Compliance

- Thermally protected
- cULus Certified to UL 1598 / C22.2 No. 250.0 suitable for wet locations with downlight; damp location with wall wash and hyperbolic with covered ceiling
- IP66 rated when used with IP66 gasket kit accessory
- Use IP66 gasket with non conductive reflector for sauna or steam room applications up to 2000 lumens and 40°C
- Optional City of Chicago environmental air (CCEA) marking for plenum applications
- EMI/RFI emissions per FCC CFR Title 47 Part 15 Class B at 120VAC and Class A at 277VAC
- Insulated ceiling (IC) rated up to 800 lumens (98 CRI & D2W); 1000 lumens (W2N). All others are non-IC rated (insulation must be kept 3" from top and sides of housing).
- Can be used for State of California Title 24 high efficacy LED compliance under JA8, reference Modernized Appliance Efficiency Database System (MAEDBS) for 2016 JA8 High Efficacy Lighting
- RoHS compliant
- Photometric testing completed in accordance with IES LM-79
- LED life testing completed in accordance with IES LM-80-08 and TM-21-11 standards

#### Warranty

- Five year warranty [www.cooperlighting.com/legal](http://www.cooperlighting.com/legal)

## Marked Spacing

4-inch Marked spacing for W2N			
3000	36	36	0.5

## Energy and Performance Data

### D010 DRIVER ENERGY DATA

Series	250 lumen		500 lumen		800 lumen		1000 lumen		1500 lumen		2000 lumen	
Input Voltage 120-277VAC	120V	277V	120V	277V	120V	277V	120V	277V	120V	277V	120V	277V
Input Current (A)	0.029	0.017	0.061	0.032	0.085	0.041	0.084	0.042	0.135	0.063	0.189	0.084
Input Power (W)	3.45	3.87	7.33	7.78	10.15	10.52	10.04	10.43	16.17	16.56	22.58	22.63
In-rush (A)	2.1	8.5	3.7	8.5	3.6	8.3	3.6	8.4	2.3	9.5	2.1	9.7
Inrush duration (µs)	250	131	190	136	220	135	226	136	230	125	243	132
THDi (%)	7.21	16.92	7.82	10.78	5.57	9.63	7.78	9.24	4.75	9.93	8.03	7.44
PF	≥ 0.98	≥ 0.9	≥ 0.99	≥ 0.93	≥ 0.99	≥ 0.95	≥ 0.99	≥ 0.95	≥ 0.99	≥ 0.94	≥ 0.99	≥ 0.96

Series	2500 lumen		3000 lumen	
Input Voltage 120-277VAC	120V	277V	120V	277V
Input Current (A)	0.276	0.121	0.276	0.121
Input Power (W)	32.98	32.57	32	32.57
In-rush (A)	2.5	11.8	3.6	11.8
Inrush duration (µs)	215	111	220	111
THDi (%)	9.86	6.57	5.57	6.57
PF	≥ 0.99	≥ 0.97	≥ 0.99	≥ 0.99

Minimum starting temperature -30°C (-22°F)\*  
(Nominal input 120-277VAC & 100% of rated output power)

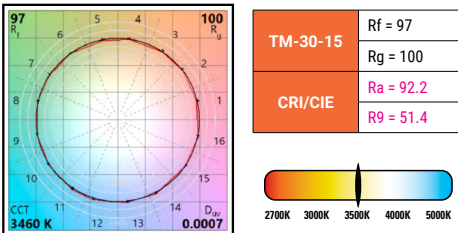
Sound Rating: Class A standards

#### Notes:

Emergency Battery packs are rated for a minimum starting temperature of 0°C.

### COLOR METRICS - TM-30-15 & CRI/CIE

#### 98 CRI Color Metric Summary - 3500K\*



\* Color values are based on haze reflector, other finishes and field results may vary.

## Beam Angles

Trim	Beam Angle
4LBSH	SHALLOW 85° BEAM (H)
4LBSLI	SHALLOW 65° BEAM (LI)

## Photometric Data

[View IES files](#)

SHALLOW 85° BEAM (H)		CANDLEPOWER DISTRIBUTION		CONE OF LIGHT		CANDELA TABLE		ZONAL LUMEN SUMMARY			LUMINANCE	
Test Number	P571640	<b>Downlight</b>				<b>Degrees Vertical</b>	<b>Candela</b>	<b>Zone</b>	<b>Lumens</b>	<b>% Fixture</b>	<b>Average Candela Degrees</b>	<b>Average 0° Luminance</b>
Housing	LDS4C15D010					0	804	0-30	565	36.7	37	72577
Module	EU4C10209035					5	798	0-40	875	56.9	45	65309
Trim	4LBSH					15	730	0-60	1384	90	55	52605
Lumens	1538					25	618	0-90	1538	100	65	34942
Efficacy	97.3 Lm/W					35	496	90-180	0	0	75	13670
SC	1.06					45	376	0-180	1538	100	85	0
						55	246					
						65	120					
						75	29					
						85	0					
						90	0					

SHALLOW 65° BEAM (LI)		CANDLEPOWER DISTRIBUTION		CONE OF LIGHT		CANDELA TABLE		ZONAL LUMEN SUMMARY			LUMINANCE	
Test Number	P571641	<b>Downlight</b>				<b>Degrees Vertical</b>	<b>Candela</b>	<b>Zone</b>	<b>Lumens</b>	<b>% Fixture</b>	<b>Average Candela Degrees</b>	<b>Average 0° Luminance</b>
Housing	LDS4C15D010					0	1145	0-30	712	44.4	37	77201
Module	EU4C10209035					5	1115	0-40	1048	65.3	45	64475
Trim	4LBSLI					15	945	0-60	1520	94.8	55	44508
Lumens	1604					25	749	0-90	1604	100	65	21163
Efficacy	101.5 Lm/W					35	534	90-180	0	0	75	1709
SC	0.91					45	371	0-180	1604	100	85	0
						55	208					
						65	73					
						75	4					
						85	0					
						90	0					

### Photometric Multipliers (Nominal Lumen Values)

250 Lumen	500 Lumen	800 Lumen	1000 Lumen	1500 Lumen	2000 Lumen	2500 Lumen	3000 Lumen
0.224	0.423	0.569	0.653	1.00	1.29	1.62	1.902

Multipliers for relative lumen values with other series models.

### CCT Multipliers – 90CRI

2400K	2700K	3000K	3500K	4000K	5000K
0.912	0.949	0.986	1	1.001	1.022

Multipliers for relative lumen values with other series color temperatures.

### CCT Multipliers – 97CRI

2700K	3000K	3500K	4000K	5000K
0.889	0.955	1	1.016	1.07

Multipliers for relative lumen values with other series color temperatures.

### Color Finish Multipliers (from H = Semi Specular Clear)

Finish code	LI	H	WMH	WH	GPH	B	MW
Finish	Specular Clear	Semi-Specular Clear	Warm Haze	Wheat	Graphite Haze	Specular Black	Matte White
Multiplier	1.25	1.00	1.02	1.02	0.72	0.55	0.95

Multipliers for relative lumen values with other color finishes.

## Connected Solutions

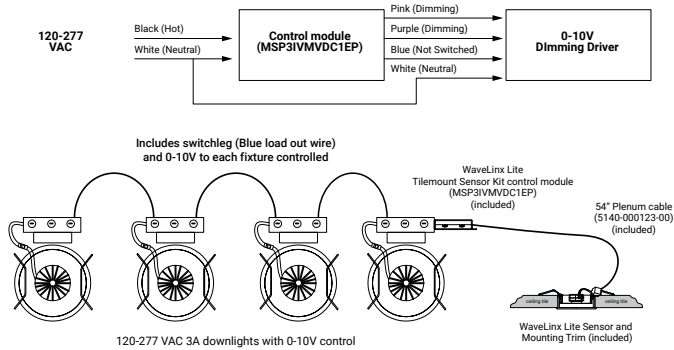
### WaveLinX LITE - WLST Tilemount Sensor



- Intuitive Android™ or Apple® iOS® app for basic system code compliant set up and configuration via Bluetooth
- Up to 28 unique areas per project site (WaveLinX LITE Bluetooth network)
- Up to 50 devices for an area, any one of 16 control zones, up to 6 occupancy sets, and custom lighting scenes
- Automatic occupancy or vacancy, sensor sensitivity, daylight dimming, etc. configurable through the app
- Refer to the WaveLinX system specifications for details



#### WaveLinX LITE WLST Tilemount Wiring Diagram



#### WaveLinX LITE Bluetooth Enabled System



### WaveLinX PRO Wireless – WPST Tilemount Sensor



- WaveLinX PRO Wireless functionality configures zones and customizes settings from one secure mobile app
- Automatic code commissioning that meets the strictest codes
- Fixtures and sensors integrate with Wireless Area Controller, Wall Stations, and Control Devices
- Stand-Along Offices or Entire Building Network Installations

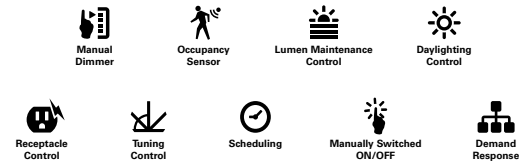
**Downlights with tilemount sensor wireless communication**  
Highly efficient LED fixtures

**WaveLinX Area Controller**  
Provides centralized coordination of multiple area control options

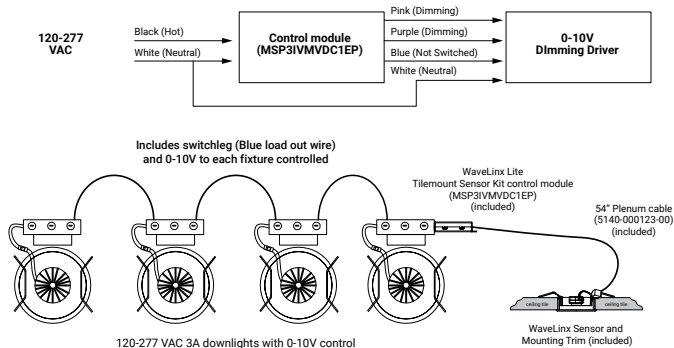
**Wireless Wall Station/Receptacle**  
Provides customized wireless control of each area

**Mobile Applications**  
Provides personalized, local control from a tablet or smartphone

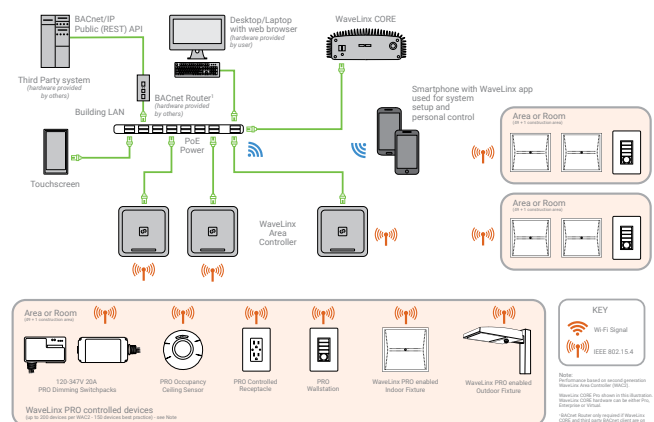
#### WaveLinX mobile app settings



#### WaveLinX PRO WPST Tilemount Wiring Diagram



#### WaveLinX CORE Building Management Integration



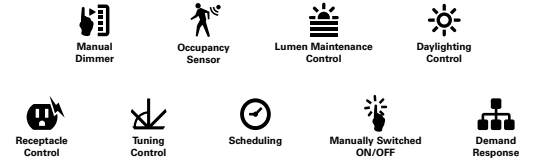
## Connected Solutions

### WaveLinx PRO Wireless Node - WPN

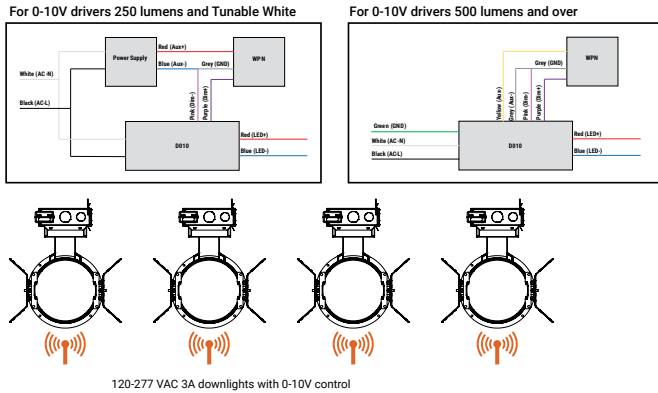
- WaveLinx Wireless functionality configures zones and customizes settings from one secure mobile app
- Automatic code commissioning that meets the strictest codes
- Fixtures and sensors integrate with WaveLinx Area Controller, Wall Stations, and Control Devices
- Stand-Alone Offices or Entire Building Network Installations



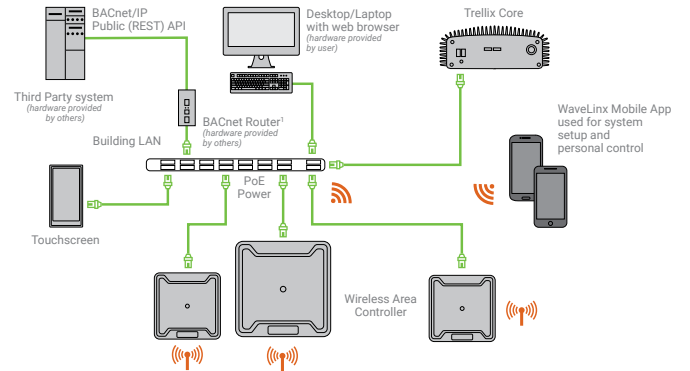
#### WaveLinx mobile app settings



#### WaveLinx PRO Wireless Node (WPN) Wiring Diagram



#### WaveLinx CORE Building Management Integration





Multi-line Order Information

SAMPLE ORDER NUMBER: **LDS4C10D010TREM6**

Invoice will indicate separate fixture components (housing, trim, module) and may ship from multiple CLS facilities in separate cartons.

 Single line Ordering Information Option

Domestic Preferences <sup>(1)</sup>	Housing	Lumens <sup>(2)</sup>		Color Control
<b>[Blank]</b> =Standard <b>TAA</b> =Trade Agreements Act	<b>LDS4C</b> =LED Downlight 4" Nominal Aperture <b>LDS4CCP</b> =LED Downlight 4" Nominal Aperture, Chicago Plenum	<b>02</b> =250 lumens <b>05</b> =500 lumens <b>08</b> =800 lumens <b>10</b> =1000 lumens	<b>15</b> =1500 lumens <b>20</b> =2000 lumens <b>25</b> =2500 lumens <b>30</b> =3000 lumens <sup>(3)</sup>	<b>Blank</b> =W2N <b>D2W</b> =Dim to warm for 1000-3000 lumens lumens <b>FS</b> =Full spectrum (Thrive) used with 98 CRI light engine up to 2500 lumens

Driver
<b>D010</b> = 0-10V Dimming, 1% to 100%, 120V-277V, <b>D2W</b> =800-2500 lumens / <b>98 CRI</b> =250-2500 lumens (up to 2000 lumens for remote driver) <b>1D010</b> =0-10V Dimming, 1% to 100%, 120V, 2500 lumens for remote driver only <b>2D010</b> =0-10V Dimming, 1% to 100%, 277V, 2500 lumens for remote driver only <b>3D010</b> =0-10V Dimming, 1% to 100%, 347V dedicated drivers, <b>D2W</b> =800-2500 lumens / <b>98 CRI</b> =800-2500 and 250-500 use step down transformer
<b>D010TR</b> = 0-10V (120-277V) or Phase-Cut (120V) dimming, 5-100%, <b>D2W</b> =800-2500 lumens / <b>98 CRI</b> =250-2500 lumens (up to 2000 lumens for remote driver) <b>1D010TR</b> =0-10V or Phase-Cut Dimming, 5% to 100%, 120V, 2500 lumens for remote driver only <b>2D010TR</b> =0-10V Dimming, 5% to 100%, 277V, 2500 lumens for remote driver only <b>3D010TR</b> =0-10V Dimming, 5% to 100% 347V step down transformer, <b>D2W</b> =800-2500 lumens / <b>98 CRI</b> =250-2500 lumens
<b>DE010</b> =10V Dimming, 0% to 100%, 120V-277V, <b>D2W</b> =800-2500 lumens / <b>98 CRI</b> =500-2500 lumens (up to 2000 lumens for remote driver) / <b>W2N</b> =1000 lumens <b>1DE010</b> =0-10V Dimming, 0% to 100%, 120V, <b>W2N</b> =1500-3000 lumens / <b>98 CRI</b> =2500 lumens for remote driver only <b>2DE010</b> =0-10V Dimming, 0% to 100%, 277V, <b>W2N</b> =1500-3000 lumens / <b>98 CRI</b> =2500 lumens for remote driver only <b>3DE010</b> =0-10V Dimming, 0% to 100%, 347V step down transformer, <b>D2W</b> =800-2500 lumens / <b>98 CRI</b> =500-2500 lumens / <b>W2N</b> =1000 lumens
<b>D5LT</b> = Fifth Light® (DALI T6) Logarithmic Dimming, 0% to 100%, 120V-277V, <b>D2W</b> =800-2500 lumens / <b>98 CRI</b> =500-2500 lumens (up to 2000 lumens for remote driver) / <b>W2N</b> =1000 lumens <b>1D5LT</b> =Fifth Light® (DALI T6) Logarithmic Dimming, 0% to 100%, 0-10V Dimming, 120V, <b>W2N</b> =1500-3000 lumens / <b>98 CRI</b> =2500 lumens for remote driver only <b>2D5LT</b> =Fifth Light® (DALI T6) Logarithmic Dimming, 0% to 100%, 0-10V Dimming, 277V, <b>W2N</b> =1500-3000 lumens / <b>98 CRI</b> =2500 lumens for remote driver only <b>3D5LT</b> =Fifth Light® (DALI T6) Logarithmic Dimming, 0% to 100% 347V step down transformer, <b>D2W</b> =800-2500 lumens / <b>98 CRI</b> =500-2500 lumens / <b>W2N</b> =1000 lumens
<b>DMX</b> = DMX/RDM Logarithmic Dimming, 0% to 100%, 120V-277V, <b>D2W</b> =800-2500 lumens / <b>98 CRI</b> =800-2500 lumens (up to 2000 lumens for remote driver) <sup>(14)</sup> <b>1DMX</b> =DMX/RDM Logarithmic Dimming, 0% to 100%, 120V, <b>98 CRI</b> =2500 lumens for remote driver only <sup>(14)</sup> <b>2DMX</b> =DMX/RDM Logarithmic Dimming, 0% to 100%, 277V, <b>98 CRI</b> =2500 lumens for remote driver only <sup>(14)</sup> <b>3DMX</b> =DMX/RDM Logarithmic Dimming, 0% to 100%, 347V step down transformer, <b>D2W</b> =800-2500 lumens / <b>98 CRI</b> =800-2500 lumens <sup>(14)</sup>
<b>DMXC5</b> = DMX/RDM Logarithmic Dimming, 0% to 100%, 120V-277V, RJ45 Connection, <b>D2W</b> =800-2500 lumens / <b>98 CRI</b> =800-2500 lumens (up to 2000 lumens for remote driver) <sup>(14)</sup> <b>1DMXC5</b> =DMX/RDM Logarithmic Dimming, 0% to 100%, 120V, RJ45 Connection, <b>98 CRI</b> =2500 lumens for remote driver only <sup>(14)</sup> <b>2DMXC5</b> =DMX/RDM Logarithmic Dimming, 0% to 100%, 277V, RJ45 Connection, <b>98 CRI</b> =2500 lumens for remote driver only <sup>(14)</sup> <b>3DMXC5</b> =DMX/RDM Logarithmic Dimming, 0% to 100%, RJ45 Connection, 347V step down transformer, <b>D2W</b> =800-2500 lumens / <b>98 CRI</b> =800-2500 lumens <sup>(14)</sup>
<b>1DL2</b> = Lutron® Hi-Lume Forward Phase Dimming, 1% to 100%, 120V Only, <b>D2W</b> =800-2500 lumens / <b>98 CRI</b> =800-2500 lumens (up to 2000 lumens for remote driver) <b>3DL2</b> =Lutron® Hi-Lume Forward Phase Dimming, 1% to 100%, 347V step down transformer, <b>D2W</b> =800-2500 lumens / <b>98 CRI</b> =800-2500 Lumens
<b>DLE</b> = Lutron Ecosystem dimming 1% to 100%, 120V-277V, <b>D2W</b> =800-2500 lumens / <b>98CRI</b> =800- 2500 lumens <b>3DLE</b> =Lutron Ecosystem dimming 1% to 100%, 347V with step down transformer, <b>D2W</b> =800-2500 lumens / <b>98 CRI</b> =800-2500 Lumens
<b>DLV</b> = Low voltage dimming driver (1-100%) for use with DLVP system, <b>D2W</b> =800-2500 lumens / <b>98 CRI</b> =800-2000 lumens <sup>(9)</sup>
<b>DE010W2N2765</b> = Tunable white 0-10V Dimming, 2700K-6500K, 0% to 100%,120V-277V, 1000 lumens <b>1DE010W2N2765</b> =Tunable white 0-10V Dimming, 2700K-6500K, 0% to 100%,120V, 1500-3000 lumens <b>2DE010W2N2765</b> =Tunable white 0-10V Dimming, 2700K-6500K, 0% to 100%, 277V, 1500-3000 lumens <b>3DE010W2N2765</b> =Tunable white 0-10V Dimming, 2700K-6500K, 0% to 100%, 347V step down transformer, 1000 lumens
<b>DE010W2N2050</b> = Tunable white 0-10V Dimming, 2000K-5000K, 0% to 100%,120V-277V, 1000 lumens <b>1DE010W2N2050</b> =Tunable white 0-10V Dimming, 2000K-5000K, 0% to 100%,120V, 1500-3000 lumens <b>2DE010W2N2050</b> =Tunable white 0-10V Dimming, 2000K-5000K, 0% to 100%, 277V, 1500-3000 lumens <b>3DE010W2N2050</b> =Tunable white 0-10V Dimming, 2000K-5000K, 0% to 100%, 347V step down transformer, 1000 lumens
<b>D5LTW2N2765</b> = unble white Fifth Light® (DALI T6) Dimming, 0% to 100%, 2700K-6500K, 120V-277V, W2N; 1000 lumens <b>1D5LTW2N2765</b> =Tunable white Fifth Light® (DALI T6) Dimming, 0% to 100%, 2700K-6500K, 120V, W2N; 1500-3000 lumens <b>2D5LTW2N2765</b> =Tunable white Fifth Light® (DALI T6) Dimming, 0% to 100%, 2700K-6500K, 277V, W2N; 1500-3000 lumens <b>3D5LTW2N2765</b> =Tunable white Fifth Light® (DALI T6) Dimming, 0% to 100%, 2700K-6500K, 347V step down transformer, W2N; 1000 lumens
<b>D5LTW2N2050</b> = Tunable white Fifth Light® (DALI T6) Dimming, 0% to 100%, 2000K-5000K, 120V-277V, W2N; 1000 lumens <b>1D5LTW2N2050</b> =Tunable white Fifth Light® (DALI T6) Dimming, 0% to 100%, 2000K-5000K, 120V, W2N; 1500-3000 lumens <b>2D5LTW2N2050</b> =Tunable white Fifth Light® (DALI T6) Dimming, 0% to 100%, 2000K-5000K, 277V, W2N; 1500-3000 lumens <b>3D5LTW2N2050</b> =Tunable white Fifth Light® (DALI T6) Dimming, 0% to 100%, 2000K-5000K, 347V step down transformer, W2N; 1000 lumens

Driver Options	Options <sup>(6) (25) (27) (28)</sup>
<b>Blank</b> =Integral driver <b>R</b> =Remote driver (order remote driver separately) <sup>(6)</sup> <b>PD</b> =Plug in Driver <sup>(6)</sup>	<b>EMBOD6ST</b> =Bodine® 6W Self Test Emergency Module with Remote Test Switch <b>WPN</b> = WaveLinx PRO Wireless Node without sensor <sup>(15)</sup>

Continued on next page.



Multi-line Order Information

SAMPLE ORDER NUMBER: **EU4C10209035**

Domestic Preferences <sup>(1)</sup>	Power Module	Lumen Levels <sup>(2)</sup>	CRI <sup>(14)</sup>	Color
<b>[Blank]</b> =Standard <b>TAA</b> =Trade Agreements Act	<b>EU4C</b> =4-inch Universal LED Module	<b>98 CRI THRIVE LED</b> <b>02081C</b> = 250, 500 and 800 lumens 98 CRI, IC rated (For use with all drivers, min 500 lumens with DE010 and D5LT, min 800 lumens with DLVP, Lutron and DMX ) <b>1025</b> = 1000, 1500, 2000 and 2500 lumens, 98 CRI (For use with D010, D010TR, D5LT, DMX and Lutron 1000-2500 lumens. DLVP 1000-2000 lumens)	<b>98</b> =98CRI Minimum	<b>98 CRI</b> <b>27</b> =2700K <b>30</b> =3000K <b>35</b> =3500K <b>40</b> =4000K <b>50</b> =5000K
		<b>Dim 2 Warm</b> <b>08259030D2W</b> =800-2500 lumen, 90 CRI, Dim 2 Warm <sup>(80)</sup>		
		<b>Tunable white</b> <b>1030W2N902765</b> =1000, 1500, 2000, 2500, 3000 lumens, 90 CRI, tunable white 2700K-6500K <sup>(81)</sup> <b>1030W2N902050</b> =1000, 1500, 2000, 2500, 3000 lumens, 90 CRI, tunable white 2000K-5000K <sup>(81)</sup>		

SAMPLE ORDER NUMBER: **4LBM2H**

Trim	Reflector	Flange	Finish
<b>4LB</b> =4" LED	<b>S</b> =Shallow spun aluminum <b>PS</b> =Non-Conductive Shallow (dead front), white <sup>(16)(17)</sup> <b>CS</b> =Cast shallow, die cast aluminum	<b>0</b> =White polymer trim ring <b>1</b> =Self flanged <sup>(18)</sup> <b>2</b> =White painted self flanged <b>4</b> =Knife edge rimless use with die cast only <sup>(19)</sup>	<b>LI</b> =Specular Clear <sup>(20)</sup> <b>H</b> =Semi-Specular Clear <sup>(20)</sup> <b>WMH</b> =Warm Haze <sup>(20)</sup> <b>WH</b> =Wheat <sup>(20)</sup> <b>GPH</b> =Graphite Haze <sup>(20)</sup> <b>B</b> =Specular Black <sup>(20)</sup> <b>MW</b> =Matte White <b>MB</b> =Matte Black <sup>(21)</sup> <b>MMS</b> =Matte Metallic Silver <sup>(21)</sup>

**REQUIRED if Remote Driver (R) is specified**

SAMPLE ORDER NUMBER: **RC10010D010TREM7**

Domestic Preferences <sup>(1)</sup>	Remote Drivers <sup>(6)</sup>	Lumens <sup>(2) (14)</sup>	Color Control
<b>[Blank]</b> =Standard <b>TAA</b> =Trade Agreements Act	<b>RC100</b> =Remote 100ft <b>RC75</b> =Remote 75ft <b>RC50</b> =Remote 50ft <b>RC25</b> =Remote 25ft	<b>RC15</b> =Remote 15ft <b>RC5</b> =Remote 5ft <b>RC2</b> =Remote 2ft	<b>02</b> =250 lumens <b>05</b> =500 lumens <b>08</b> =800 lumens <b>10</b> =1000 lumens

Driver
<b>D010</b> = 0-10V Dimming, <1% to 100%, 120V-277V, <b>D2W</b> =800-2500 lumens / <b>98 CRI</b> =250-2000 lumens <b>1D010</b> = 0-10V Dimming, <1% to 100%, 120V, <b>98 CRI</b> = 2500 lumens <b>2D010</b> = 0-10V Dimming, <1% to 100%, 277V, <b>98 CRI</b> = 2500 lumens <b>3D010</b> = 0-10V Dimming, <1% to 100%, 347V dedicated driver <b>D2W</b> = 800-2500 lumens, <b>98 CRI</b> = 800-2500 lumens; with step down transformer / <b>98 CRI</b> =250 and 500 lumens
<b>D010TR</b> = 0-10V (120-277V) or Phase-Cut (120V) dimming, 5-100%, <b>D2W</b> = 800-2500 lumens, <b>98 CRI</b> = 250-2000 lumens <b>1D010TR</b> = 0-10V or Phase-Cut Dimming, 120V, 120V, <b>98 CRI</b> = 2500 lumens <b>2D010TR</b> = 0-10V Dimming, 277V, <b>98 CRI</b> = 2500 lumens <b>3D010TR</b> = 0-10V Dimming, 347V with step down transformer, <b>D2W</b> = 800-2500 lumens, <b>98 CRI</b> = 250-3000 lumens
<b>DE010</b> = 0-10V Dimming, 0% to 100%, 120V-277V, <b>D2W</b> = 800-2500 lumens / <b>98 CRI</b> = 500-2000 lumens <b>1DE010</b> = 0-10V Dimming, 0% to 100%, 120V, <b>98 CRI</b> = 2500 lumens <b>2DE010</b> = 0-10V Dimming, 0% to 100%, 277V, <b>98 CRI</b> = 2500 lumens <b>3DE010</b> = 0-10V Dimming, 0% to 100%, 347V with step down transformer, <b>D2W</b> = 800-2500 lumens / <b>98 CRI</b> = 500-2500 lumens
<b>D5LT</b> = Fifth Light® (DALI T6) Logarithmic Dimming, 0% to 100%, 120V-277V, <b>D2W</b> = 800-2500 lumens, <b>98 CRI</b> = 500-2000 lumens <b>1D5LT</b> = Fifth Light® (DALI T6) Logarithmic Dimming, 0% to 100%, 120V, <b>98 CRI</b> = 2500 lumens <b>2D5LT</b> = Fifth Light® (DALI T6) Logarithmic Dimming, 0% to 100%, 277V, <b>98 CRI</b> = 2500 lumens <b>3D5LT</b> = Fifth Light® (DALI T6) Logarithmic Dimming, 0% to 100%, 347V with step down transformer, <b>D2W</b> = 800-2500 lumens, <b>98 CRI</b> = 500-2500 lumens
<b>DMX</b> = DMX/RDM Logarithmic Dimming, 0% to 100%, 120V-277V, <b>D2W</b> = 800-2500 lumens / <b>98 CRI</b> = 800-2000 lumens <sup>(5)</sup> <b>1DMX</b> = DMX/RDM Logarithmic Dimming, 0% to 100%, 120V, <b>98 CRI</b> = 2500 lumens <sup>(5)</sup> <b>2DMX</b> = DMX/RDM Logarithmic Dimming, 0% to 100%, 277V, <b>98 CRI</b> = 2500 lumens <sup>(5)</sup> <b>3DMX</b> = DMX/RDM Logarithmic Dimming, 0% to 100%, 347V with step down transformer, <b>D2W</b> = 800-2500 lumens / <b>98 CRI</b> = 800-2500 lumens <sup>(5)</sup>
<b>DMXC5</b> = DMX/RDM Logarithmic Dimming, 0% to 100%, 120V-277V, RJ45 connection, <b>D2W</b> = 800-2500 lumens / <b>98 CRI</b> = 800-2000 lumens <sup>(5)</sup> <b>1DMXC5</b> = DMX/RDM Logarithmic Dimming, 0% to 100%, 120V, RJ45 connection, <b>98 CRI</b> = 2500 lumens <sup>(5)</sup> <b>2DMXC5</b> = DMX/RDM Logarithmic Dimming, 0% to 100%, 277V, RJ45 connection, <b>98 CRI</b> = 2500 lumens <sup>(5)</sup> <b>3DMXC5</b> = DMX/RDM Logarithmic Dimming, 0% to 100%, 347V with step down transformer, RJ45 connection, <b>D2W</b> = 800-2500 lumens / <b>98 CRI</b> = 800-2500 lumens <sup>(5)</sup>

Continued on next page.

Multi-line Order Information

<b>1DL2</b> = Lutron® Hi-Lume Forward Phase Dimming, 1% to 100%, 120V Only, 25' Max remote length, <b>D2W</b> = 800-2500 lumens / <b>98 CRI</b> = 800-2500 lumens
<b>3DL2</b> = Lutron® Hi-Lume Forward Phase Dimming, 1% to 100%, 347V with step down transformer, 25' Max remote length, <b>D2W</b> = 800-2500 lumens / <b>98 CRI</b> = 800-2500 lumens
<b>DLE</b> = Lutron Ecosystem dimming 1% to 100%, 120V-277V, 25' Max remote length, <b>D2W</b> = 800-2500 lumens / <b>98 CRI</b> = 800-2000 lumens
<b>1DLE</b> = Lutron Ecosystem dimming 1% to 100%, 120V, 25' Max remote length, <b>98 CRI</b> = 2500 lumens
<b>2DLE</b> = Lutron Ecosystem dimming 1% to 100%, 277V, 25' Max remote length, <b>98 CRI</b> = 2500 lumens
<b>3DLE</b> = Lutron Ecosystem dimming 1% to 100%, 347V with step down transformer, 25' Max remote length, <b>D2W</b> = 800-2500 lumens / <b>98 CRI</b> = 800-2500 lumens
<b>DLV</b> = Low voltage dimming driver (1-100%) for use with DLVP system, <b>D2W</b> = 800-2500 lumens / <b>98 CRI</b> = 800-2000 lumens <sup>(6)</sup>
<b>DE010W2N2765</b> = Tunable white 0-10V Dimming, 2700K-6500K, 0% to 100%, 120V-277V, 1000 lumens
<b>DE010W2N2050</b> = Tunable white 0-10V Dimming, 2700K-6500K, 0% to 100%, 120V-277V, 1000 lumens
<b>D5LTW2N2765</b> = Tunable white Fifth Light® (DALI T6) Dimming, 0% to 100%, 2700K-6500K, 120V-277V, 1000 lumens
<b>D5LTW2N2050</b> = Tunable white Fifth Light® (DALI T6) Dimming, 0% to 100%, 2000K-5000K, 120V-277V, 1000 lumens

Options <sup>(6)</sup> (25) (27) (28)		Controls
<b>EMBOD</b> =Bodine® Emergency Module with Remote Test Switch <sup>(10)</sup>	<b>EMBOD7ST</b> =Bodine® Self Test Emergency Module <sup>(10)</sup>	<b>WPST</b> =Factory installed WaveLinx (includes control module, sensor, cable, tilemount and ceiling mount sensor) <sup>(11) (13)</sup>
<b>EMBOD6ST</b> =Bodine® 6W Self Test Emergency Module with Remote Test Switch	<b>EMV7</b> =7W Low Voltage Emergency Module with Remote Test Switch <sup>(7)</sup>	<b>WLST</b> =Factory installed WaveLinx LITE Sensor Kit <sup>(11) (12)</sup>
<b>EM7</b> =7W Emergency Module with Remote Test Switch	<b>EMV14</b> =14W Low Voltage Emergency Module with Remote Test Switch <sup>(7)</sup>	<b>WPN</b> = WaveLinx PRO Wireless Node without sensor <sup>(15)</sup>
<b>EM14</b> =14W Emergency Module with Remote Test Switch	<b>ETRD</b> =Emergency transfer device <sup>(29)</sup>	

Accessories (Order separately) <sup>(22)</sup>			
<b>TRM4P</b> =White Metal Trim Ring <sup>(23)</sup>	<b>RPM4MW</b> =Rimless Millwork Ring, Matte White <sup>(23)</sup>	<b>Bar Hangers</b>	<b>Connected Lighting Systems</b> <sup>(6) (11)</sup>
<b>LGSKT4IP66</b> =IP66 Gasket Kit	<b>RPM4MB</b> =Rimless Millwork Ring, Matte Black <sup>(23)</sup>	<b>TAA-HB26</b> =C-channel Bar Hanger, 26" Long, Pair <sup>(1)</sup>	<b>WPST</b> = Field installed WaveLinx sensor Kit <sup>(13)</sup>
<b>PRR4</b> =Rimless Plaster Ring <sup>(23)</sup>	<b>RKM4MW</b> =Knife Edge Millwork Ring, Matte White <sup>(24)</sup>	<b>HB26</b> =C-channel Bar Hanger, 26" Long, Pair	<b>WLST</b> = Field installed WaveLinx LITE Sensor Kit <sup>(12)</sup>
<b>RKP4</b> =Knife Edge plaster Ring <sup>(24)</sup>	<b>RKM4MB</b> =Knife Edge Millwork Ring, Matte Black <sup>(24)</sup>	<b>HB50</b> =C-channel Bar Hanger, 50" Long, Pair	
	<b>HSA4</b> =Slope Adapter for 4" Aperture Housings, Specify Slope <sup>(32)</sup>	<b>RMB22</b> =Wood Joist Bar Hanger, 22" Long, Pair	

- Notes:**
- Only product configurations with these designated prefixes are built to be compliant with the Buy American Act of 1933 (BAA) or Trade Agreements Act of 1979 (TAA), respectively. Please refer to [DOMESTIC PREFERENCES](#) website for more information. Components shipped separately may be separately analysed under domestic preference requirements. Offered with shallow (S) spun aluminum.
  - Nominal Lumens will vary depending on selected color, CRI, driver and reflector finish. Refer IES files.
  - W2N is marked spacing for 3000 lumens. W2N is marked spacing and must be installed with the following minimum spacing.
    - Center to center of adjacent luminaires: 36"
    - Center of luminaire to side of building member: 36"
    - Minimum overhead: 0.5"
  - DMX fixtures default to full on upon loss of DMX signal.
  - Not available with Chicago Plenum.
  - ULus listed only
  - Offered up to 2500 lumens with D2W and 3000 with W2N
    - D010, D5LT, DE010 up to 3000 lumens for 90 and 97 CRI and 2500 lumens with 98 CRI
    - D010TR, DMX up to 3000 lumens for 90 and 97 CRI and 2500 lumens with 98 CRI
  - DLE, DL2 up to 3000 lumens for 90 and 97 CRI and 2500 lumens with 98 CRI
  - DLVP up to 3000 lumens for 90 and 97 CRI and 2000 lumens with 98 CRI
  - Not available for W2N.
  - Refer to system specifications for additional information, features, and benefits. Order either factory installed option or accessory. Use with 0-10V driver.
  - WLST = WaveLinx LITE tilemount sensor kit for daylight dimming, PIR motion sensing, use with D010 only (Refer to WaveLinx LITE system specifications)
  - WPST = WaveLinx wireless sensor kit for daylight dimming, PIR motion sensing, and optional RLTS - Real Time Location Services, use with 0-10V only.
  - IC rated up to 2000 lumens for 98 CRI, 2500 lumens for D2W and 1000 lumens for W2N
  - WPN = WaveLinx PRO wireless node provides luminaire-level control with scene and zone configuration without an integrated sensor, Connects wirelessly with daylight dimming sensor and PIR motion sensor if desired. Use with 0-10V driver only.
  - PS available in self-flanged MW finish only
  - Offered up to 2000 lumens
  - Flange is the same finish as the reflector
  - Requires knife edge ring
  - Anodized or spun reflectors
  - Die cast only
  - Accessories sold separately will be separately analyzed under domestic preference requirements. Consult factory for further information.
  - Order trim with polymer trim ring.
  - Order die cast trim with flange type 4
  - For remote driver order emergency module with the remote driver
  - 120V-277V
  - Non-IC
  - Used to bypass local control during outage. Must be used in conjunction with UL 1008 device (provided by others)
  - IC rated for 800 lumens
  - IC rated for 1000 lumens
  - Not recommended for use with Wall Wash