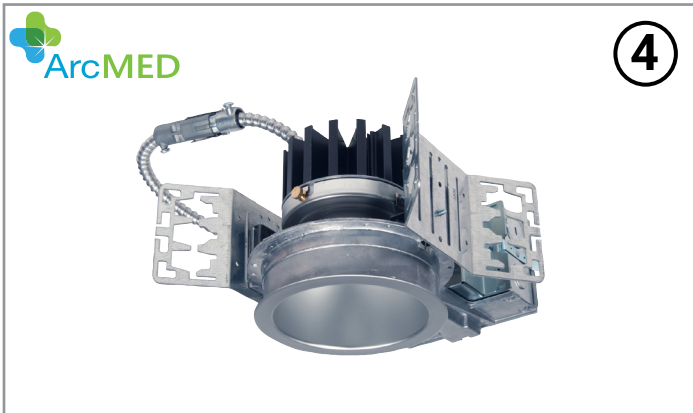


Project		Catalog #		Type	
Prepared by		Notes		Date	



# Fail-Safe

## FLD4C

Vandal Resistant / High Abuse  
Sealed/Medical  
4" Round Downlight  
250 to 6000 Lumens

### Typical Applications:

Healthcare • Behavioral Health • Public Spaces • Education • Restrooms • Patient Rooms • Food Service

### Product Certification



### Product Features



### Interactive Menu

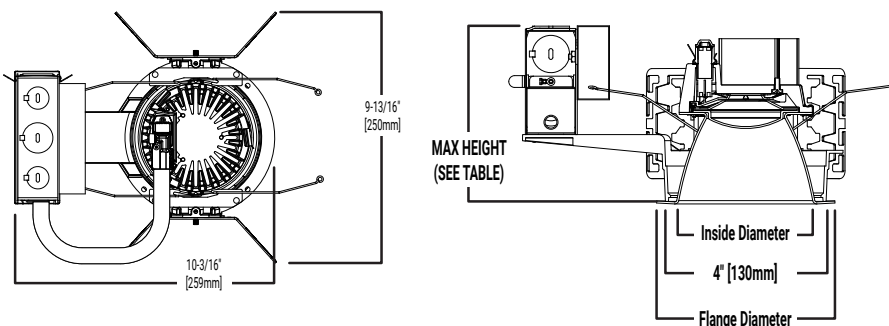
- Order Information page 2
- Energy Data page 7
- Product Specifications page 8
- BioUp - Melanopic Lighting page 9
- Product Warranty

### Top Product Features

- From 250 to 6000 lumens for design flexibility
- Wet location standard (under covered ceiling)
- NSF listed for easy cleaning and wipe-down
- Choice of 6 reflector finishes
- Glass, acrylic, or polycarbonate bottom lens available for additional protection. Ligature resistant.
- IK10 impact resistant rated with polycarbonate bottom lens
- BioUp available for a 30% Biological Impact boost, compared to traditional LED sources
- Vandal resistant/high abuse, open or enclosed; Ligature resistant
- Options to meet Buy American and other domestic preference requirements

### Dimensional and Mounting Details

Below are SKUs that typically ship within 15 days.



#### 4" Round

Housing	Module
FLD4C-10-D010	FEU4C-1020-90-30
FLD4CX-10-D010	FEU4C-1020-90-35
	FEU4C-1020-90-40
FLD4C-15-D010	
FLD4CX-15-D010	FEU4C-2540-90-30
	FEU4C-2540-90-35
FLD4C-30-D010	FEU4C-2540-90-40
FLD4CX-30-D010	

See page 6 for dimensional details.





additional product diagrams



## 1. HOUSING

SAMPLE: **FLD4CX-15-D010** (housing to accept enclosed reflector - 4 brackets - vandal or sealed/medical)  
**FLD4C-20-DE010** (housing to accept open reflector - no brackets - sealed/medical)  
**FLD4C-45-DE010-W2N-2765** (housing to accept open reflector - no brackets - sealed/medical)

Please see page 4 for a list of SKUs that typically ship within 15 days.

Domestic Preferences <sup>(1)</sup>	Vandal/ High Abuse Housing		Sealed/Medical Housing		Lumens <sup>(2)</sup>	Color Control
<b>[Blank]</b> =Standard <b>BAA</b> =Buy American Act <b>TAA</b> =Trade Agreements Act	<b>Vandal Open</b> <b>FLD4CX</b> =Housing, used with extended flange reflector <b>FLD4CXCP</b> =Housing, used with extended flange reflector, Chicago Plenum  <b>Vandal Enclosed</b> <b>FLD4CX</b> =Housing, used with extended flange reflector <b>FLD4CXCP</b> =Housing, used with extended flange reflector, Chicago Plenum		<b>Sealed/Medical Open</b> <b>FLD4C</b> =Housing, used with standard flanged reflector <b>FLD4CCP</b> =Housing, used with standard flanged reflector, Chicago Plenum  <b>Sealed/Medical Enclosed</b> <b>FLD4CX</b> =Housing, used with extended flange reflector <b>FLD4CXCP</b> =Housing, used with extended flange reflector, Chicago Plenum		<b>02</b> =250 lumens <b>05</b> =500 lumens <b>08</b> =800 lumens <b>10</b> =1000 lumens <b>15</b> =1500 lumens <b>20</b> =2000 lumens <b>25</b> =2500 lumens <b>30</b> =3000 lumens <b>35</b> =3500 lumens <b>40</b> =4000 lumens <b>45</b> =4500 lumens <sup>(3)</sup> <b>50</b> =5000 lumens <sup>(3)</sup> <b>55</b> =5500 lumens <sup>(3)</sup> <b>60</b> =6000 lumens <sup>(3)</sup>	<b>D2W</b> =Dim to warm <b>Blank</b> =all others
<b>Notes</b> (1) Only product configurations with these designated prefixes are built to be compliant with the Buy American Act of 1933 (BAA) or Trade Agreements Act of 1979 (TAA), respectively. Please refer to <a href="#">DOMESTIC.PREFERENCES</a> website for more information. Components shipped separately may be separately analysed under domestic preference requirements. Offered with spun aluminum narrow (N), medium (M) and wide (W) trims.	 <b>FLD4CX</b>	 <b>FLD4CX</b>	 <b>FLD4C</b>	 <b>FLD4CX</b>	<b>Notes</b> (2) Nominal lumens will vary depending on selected color, CRI, driver and reflector finish. Reference <a href="#">Multiplier tables</a> . (3) Product is marked spacing. Reference <a href="#">table on page 7</a> for the spacing details.	
	<b>VANDAL/HIGH ABUSE</b>		<b>SEALED/MEDICAL</b>			

Driver	Fixture (Housing) Options	Accessories <sup>(25)</sup>
<b>D010</b> =0-10V Dimming, 1% to 100%, 120V-277V, up to 6000 lumens, D2W=800-2500 lumens <b>1D010</b> =0-10V Dimming, 1% to 100%, 120V, 6000 lumens & above, D2W=3500-4500 lumens <b>2D010</b> =0-10V Dimming, 1% to 100%, 277V, 6000 lumens & above, D2W=3500-4500 lumens <b>3D010</b> =0-10V Dimming, 1% to 100%, 347V, dedicated drivers, D2W=800-2500 lumens), 3500 & above use step down transformer and dedicated driver. <b>1 driver:</b> D2W=800-2500 lumens, <b>2 drivers:</b> D2W=3500-4500 lumens  <b>DE010</b> =0-10V Dimming, 0% to 100%, 120V-277V, 500-6000 lumens, D2W=800-2500 lumens <b>1DE010</b> =0-10V Dimming, 0% to 100%, 120V, 6000 lumens & above, D2W=3500-4500 lumens <b>2DE010</b> =0-10V Dimming, 0% to 100%, 277V, 6000 lumens & above, D2W=3500-4500 lumens <b>3DE010</b> =0-10V Dimming, 0% to 100%, 347V, step down transformer, D2W=800-2500 & 3500-4500 lumens <b>1 driver:</b> D2W=800-2500 lumens, <b>2 drivers:</b> D2W=3500-4500 lumens  <b>D5LT</b> =Fifth Light® (DALI T6) Logarithmic Dimming, 0% to 100%, 120V-277V. D2W=800-2500 lumens <b>1D5LT</b> =Fifth Light® (DALI T6) Logarithmic Dimming, 0% to 100%, 120V. D2W=3500-4500 lumens <b>2D5LT</b> =Fifth Light® (DALI T6) Logarithmic Dimming, 0% to 100%, 277V. D2W=3500-4500 lumens <b>3D5LT</b> =Fifth Light® (DALI T6) Logarithmic Dimming, 0% to 100%, 347V. step down transformer, D2W=800-2500 & 3500-4500 lumens <b>1 driver:</b> D2W=800-2500 lumens, <b>2 drivers:</b> D2W=3500-4500 lumens  <b>DLE</b> =Lutron Ecosystem Dimming, 1% to 100%, 120V-277V. D2W=800-2500 lumens <b>1DLE</b> =Lutron Ecosystem Dimming, 1% to 100%, 120V. D2W=3500-4500 lumens <b>2DLE</b> =Lutron Ecosystem dimming 1% to 100%, 277V. D2W=3500-4500 lumens <b>3DLE</b> =Lutron Ecosystem dimming 1% to 100%, 347V, step down transformer, D2W=800-2500 & 3500-4500 lumens <b>1 driver:</b> D2W=800-2500 lumens, <b>2 drivers:</b> D2W=3500-4500 lumens  <b>Tunable White</b> <b>DE010-W2N-2765</b> =Tunable white 2700-6500K, 0-10V Dimming, 0% to 100%, 120-277V, 1000 lumens <b>1DE010-W2N-2765</b> =Tunable white 2700-6500K, 120V, 0-10V Dimming, 0% to 100%, 1500-3500 lumens <b>2DE010-W2N-2765</b> =Tunable white 2700-6500K, 277V, 0-10V Dimming, 0% to 100%, 1500-3500 lumens <b>3DE010-W2N-2765</b> =Tunable white 2700-6500K, 347V with step down transformer, 0-10V Dimming, 0% to 100%, 1000-3500 lumens <b>1 driver:</b> 1000-3500 lumens  <b>DE010-W2N-2050</b> =Tunable white 2000-5000K, 0-10V Dimming, 0% to 100%, 120-277V, 1000 lumens <b>1DE010-W2N-2050</b> =Tunable white 2000-5000K, 120V, 0-10V Dimming, 0% to 100%, 1500-3500 lumens <b>2DE010-W2N-2050</b> =Tunable white 2000-5000K, 277V, 0-10V Dimming, 0% to 100%, 1500-3500 lumens <b>3DE010-W2N-2050</b> =Tunable white 2000-5000K, 347V with step down transformer, 0-10V Dimming, 0% to 100%, 1000-3500 lumens <b>1 driver:</b> 1000-3500 lumens  <b>D5LT-W2N-2765</b> =Tunable white 2700-6500K, 120V-277V Fifth Light® (DALI T6) Dimming, 0% to 100%, 120-277V, 1000 lumens <b>1D5LT-W2N-2765</b> =Tunable white 2700-6500K, 120V Fifth Light® (DALI T6) Dimming, 0% to 100%, 1500-3500 lumens <b>2D5LT-W2N-2765</b> =Tunable white 2700-6500K, 277V Fifth Light® (DALI T6) Dimming, 0% to 100%, 1500-3500 lumens <b>3D5LT-W2N-2765</b> =Tunable white 2000-5000K, 347V with step down transformer Fifth Light® (DALI T6) Dimming, 0% to 100%, 1000-3500 lumens <b>1 driver:</b> 1000-3500 lumens  <b>D5LT-W2N-2050</b> =Tunable white 2000-5000K, 120V-277V Fifth Light® (DALI T6) Dimming, 0% to 100%, 120-277V, 1000 lumens <b>1D5LT-W2N-2050</b> =Tunable white 2000-5000K, 120V Fifth Light® (DALI T6) Dimming, 0% to 100%, 1500-3500 lumens <b>2D5LT-W2N-2050</b> =Tunable white 2000-5000K, 277V Fifth Light® (DALI T6) Dimming, 0% to 100%, 1500-3500 lumens <b>3D5LT-W2N-2050</b> =Tunable white 2000-5000K, 347V with step down transformer Fifth Light® (DALI T6) Dimming, 0% to 100%, 1000-3500 lumens <b>1 driver:</b> 1000-3500 lumens  <b>BioUp Driver</b> (see next page)	<b>EMBOD</b> =Bodine® Emergency Module with Remote Test Switch, 7 watt <sup>(4)</sup> <b>EM7</b> =7W Emergency Module with Remote Test Switch <sup>(4), (5), (6)</sup> <b>EM14</b> =14W Emergency Module with Remote Test Switch <sup>(4), (5), (6)</sup> <b>IEMBOD</b> =Bodine® Emergency Module with Integral Test Switch, 7 watt <sup>(4), (5)</sup> <b>IEM7</b> =7W Emergency Module with Integral Test Switch <sup>(4), (5)</sup> <b>IEM14</b> =14W Emergency Module with Integral Test Switch <sup>(4), (5)</sup> <b>ETRD</b> =Emergency Transfer Device <sup>(31)</sup>	<b>HSA4</b> =Slope Adapter for 6" <sup>(34)</sup> Aperture Housings, Specify Slope <b>HB26</b> =C-channel Bar Hanger, 26" Long, Pair <b>HB50</b> =C-channel Bar Hanger, 50" Long, Pair <b>RMB22</b> =Wood Joist Bar Hanger, 22" Long, Pair <b>H347</b> =347 to 120V Step Down Transformer, 75VA <b>H347200</b> =347 to 120V Step Down Transformer, 200VA
	<b>Notes</b> (4) Not available with Chicago Plenum. (5) Ulus listed only. (6) Transfer time from normal to EM power > 1 second. (31) Used to bypass local control during outage. Must be used in conjunction with UL 1008 device (provided by others).	<b>Notes</b> (25) Accessories sold separately will be separately analyzed under domestic preference requirements. Consult factory for further information. (34) Not recommended for use with Wall Wash.



## 1. HOUSING (continued)

BioUp Driver	Fixture (Housing) Options	Accessories <sup>(25)</sup>
<p><b>DE010B2750</b>=BioUp Tunable white 2700-5000K, 0-10V Dimming, 0% to 100%, 120-277V 800 lumens  <b>1DE010B2750</b>= BioUp Tunable white 2700-5000K, 120V, 0-10V Dimming, 0% to 100%, 1000-2500 lumens  <b>2DE010B2750</b>= BioUp Tunable white 2700-5000K, 277V, 0-10V Dimming, 0% to 100%, 1000-2500 lumens  <b>3DE010B2750</b>= BioUp Tunable white 2700-5000K, 347V with step down transformer, 0-10V Dimming, 0% to 100%, 800-2500 lumens  <b>1 driver:</b> 800-2500 lumens</p>	<p><b>EMB00</b>=Bodine® Emergency Module with Remote Test Switch, 7 watt <sup>(10)</sup>  <b>EM7</b>=7W Emergency Module with Remote Test Switch <sup>(4), (5), (6)</sup>  <b>EM14</b>=14W Emergency Module with Remote Test Switch <sup>(4), (5), (6)</sup>  <b>EMB00</b>=Bodine® Emergency Module with Integral Test Switch, 7 watt <sup>(4), (5)</sup>  <b>EM7</b>=7W Emergency Module with Integral Test Switch <sup>(4), (5)</sup>  <b>EM14</b>=14W Emergency Module with Integral Test Switch <sup>(4), (5)</sup>  <b>ETRD</b>=Emergency Transfer Device <sup>(31)</sup></p>	<p><b>HSA4</b>=Slope Adapter for 6" <sup>(34)</sup>  Aperture Housings, Specify Slope  <b>HB26</b>=C-channel Bar Hanger, 26" Long, Pair  <b>HB50</b>=C-channel Bar Hanger, 50" Long, Pair  <b>RMB22</b>=Wood Joist Bar Hanger, 22" Long, Pair  <b>H347</b>=347 to 120V Step Down Transformer, 75VA  <b>H347200</b>=347 to 120V Step Down Transformer, 200VA</p>
<p><b>DE010B35, DE010B40, DE010B50</b> = BioUp Static White (choose 3500K, 4000K or 5000K), 0-10V Dimming, 0% to 100%, 120-277V 800 lumens  <b>1DE010B35, 1DE010B40, 1DE010B50</b> = BioUp Static White (choose 3500K, 4000K or 5000K), 120V, 0-10V Dimming, 0% to 100%, 1000-2500 lumens  <b>2DE010B35, 2DE010B40, 2DE010B50</b> = BioUp Static White (choose 3500K, 4000K or 5000K), 277V, 0-10V Dimming, 0% to 100%, 1000-2500 lumens  <b>3DE010B35, 3DE010B40, 3DE010B50</b> = BioUp Static White (choose 3500K, 4000K or 5000K) 347V with step down transformer, 0-10V Dimming, 0% to 100%, 800-2500 lumens  <b>1 driver:</b> 800-2500 lumens</p>		
<p><b>D5LTB2750</b>=BioUp Tunable white 2700-5000K, 120V-277V Fifth Light® (DALI T6) Dimming, 0% to 100%, 120-277V 800 lumens  <b>1D5LTB2750</b>= BioUp Tunable white 2700-5000K, 120V Fifth Light® (DALI T6) Dimming, 0% to 100%, 1000-2500 lumens  <b>2D5LTB2750</b>= BioUp Tunable white 2700-5000K, 277V Fifth Light® (DALI T6) Dimming, 0% to 100%, 1000-2500 lumens  <b>3D5LTB2750</b>= BioUp Tunable white 2700-5000K, 347V with step down transformer Fifth Light® (DALI T6) Dimming, 0% to 100%, 800-2500 lumens  <b>1 driver:</b> 800-2500 lumens</p>	<p><b>Notes</b>  (4) Not available with Chicago Plenum.  (5) ULus listed only. (6) Transfer time from normal to EM power &gt; 1 second. (31) Used to bypass local control during outage. Must be used in conjunction with UL 1008 device (provided by others).</p>	<p><b>Notes</b>  (25) Accessories sold separately will be separately analyzed under domestic preference requirements. Consult factory for further information. (34) Not recommended for use with Wall Wash.</p>
<p><b>D5LTB35, D5LTB40, D5LTB50</b>= BioUp Static White (choose 3500K, 4000K or 5000K), 120V-277V Fifth Light® (DALI T6) Dimming, 0% to 100%, 120-277V 800 lumens  <b>1D5LTB35, 1D5LTB40, 1D5LTB50</b>= BioUp Static White (choose 3500K, 4000K or 5000K), 120V Fifth Light® (DALI T6) Dimming, 0% to 100%, 1000-2500 lumens  <b>2D5LTB35, 2D5LTB40, 2D5LTB50</b>= BioUp Static White (choose 3500K, 4000K or 5000K), 277V Fifth Light® (DALI T6) Dimming, 0% to 100%, 1000-2500 lumens  <b>3D5LTB35, 3D5LTB40, 3D5LTB50</b>= BioUp Static White (choose 3500K, 4000K or 5000K), 347V with step down transformer Fifth Light® (DALI T6) Dimming, 0% to 100%, 800-2500 lumens;  <b>1 driver:</b> 800-2500 lumens</p>		



## 2. MODULE

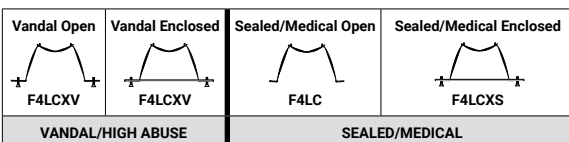
SAMPLE: FEU4C-1020-97-30  
 BAA-FEU4C-2540-90-35  
 FEU4C-1030-W2N-90-2765  
 FEU4C-2500B-9050

Domestic Preferences <sup>(1)</sup>	Power Module	Lumen Levels <sup>(2)</sup>	CRI	Color
<b>[Blank]</b> =Standard <b>BAA</b> =Buy American Act <b>TAA</b> =Trade Agreements Act	<b>FEU4C</b> =4-inch Universal LED Module	<b>For use with one driver</b> <b>0208IC</b> =250, 500 and 800 lumens, IC Rated (for use with all drivers, min 500 lumens with DE010 and D5LT, min 800 lumens with Lutron) <b>1020</b> =1000, 1500, 2000 lumens <b>1015IC</b> =1000, 1500 lumens IC Rated <b>2540</b> =2500, 3000, 3500, 4000 lumens (for use with Lutron 3000-3500, D010, D5LT and DE010 3000-4000) <b>4560</b> =4500, 5000, 5500 lumens (for use with D010, D5LT and DE010 4500-6000) <sup>(3)</sup>	<b>90</b> =90 CRI Minimum <b>97</b> =97 CRI Minimum	<b>90 CRI</b> <b>24</b> =2400K <b>27</b> =2700K <b>30</b> =3000K <b>35</b> =3500K <b>40</b> =4000K <b>50</b> =5000K  <b>97 CRI</b> <b>27</b> =2700K <b>30</b> =3000K
		<b>For use with two drivers</b> <b>4060</b> =4000, 4500, 5000, 5500, 6000 lumens, (for use with Lutron 4000-6000, D010, D5LT, and DE010 to 6000 lumens) <sup>(3)</sup>		
		<b>Dim 2 Warm</b> <b>0825-90-30-D2W</b> =800-2500 lumen, 90 CRI, Dim 2 Warm (1 driver and 1 LED) <sup>(32)</sup> <b>3545-90-30-D2W</b> =3500-4500 lumen, 90 CRI, Dim 2 Warm (2 drivers and LEDs)		
		<b>Tunable white</b> <b>1030-W2N-90-2765</b> =1000, 1500, 2000, 2500, 3000 lumens, 90 CRI, tunable white <sup>(33)</sup> 2700K-6500K <b>1030-W2N-90-2050</b> =1000, 1500, 2000, 2500, 3000 lumens, 90 CRI, tunable white <sup>(33)</sup> 2000K-5000K <b>35-W2N-90-2765</b> =3500 lumens, 90 CRI, tunable white 2700K-6500K <sup>(3)</sup> <b>35-W2N-90-2050</b> =3500 lumens, 90 CRI, tunable white 2000K-5000K <sup>(3)</sup>		
		<b>BioUp Tunable White</b>		<b>CRI / Color</b>
		<b>BioUp Tunable white</b> <b>0820B</b> =800, 1000, 1500, 2000 lumens, 90 CRI <sup>(32)</sup> <b>2500B</b> =2500 lumens, 90 CRI <sup>(35)</sup>	<b>9035</b> = Static 3500K <b>9040</b> =Static 4000K <b>9050</b> =Static 5000K <b>902750</b> =BioUp Tunable White 2700K-5000K	
<b>Notes</b> (1) Only product configurations with these designated prefixes are built to be compliant with the Buy American Act of 1933 (BAA) or Trade Agreements Act of 1979 (TAA), respectively. Please refer to <a href="#">DOMESTIC PREFERENCES</a> website for more information. Components shipped separately may be separately analysed under domestic preference requirements. Offered with spun aluminum narrow (N), medium (M) and wide (W) trims.		<b>Notes</b> (32) IC rated for 800 lumens. (33) IC rated for 1000 lumens. (35) Product is marked spacing. <a href="#">Reference table on page 7 for the spacing details.</a>		<b>Notes</b> Not necessary to specify CRI and Color with Dim 2 Warm and Tunable White.

## 3. TRIM/REFLECTOR

SAMPLES: F4LC-M-2-H  
 F4LCXV-M-1-WMH-BL84

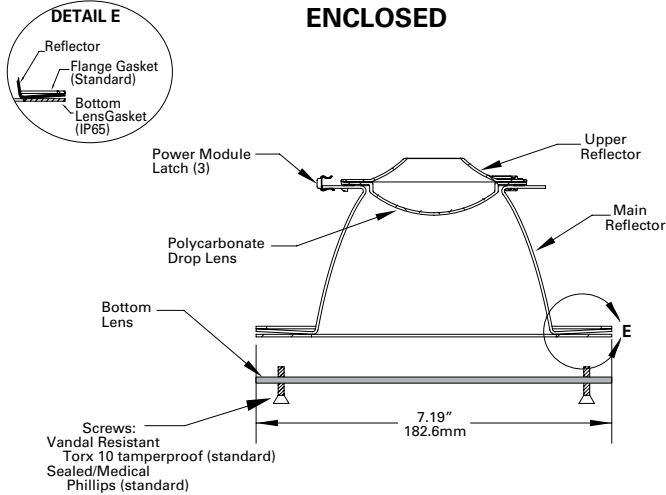
Base Trim	Distribution <sup>(11)</sup>	Flange	Reflector Finish	Trim Options <sup>(23)</sup>
<b>Vandal Resistant</b> <b>F4LCXV</b> =(open) <b>F4LCXV</b> =(enclosed)  <b>Sealed/Medical</b> <b>F4LC</b> =(open) <b>F4LCXS</b> =(enclosed)	<b>All Trims</b> <b>M</b> =Medium (50° Beam), Spun Aluminum  <b>Sealed/Medical Open Only (F4LC Only)</b> <b>W</b> =Wide, Spun Aluminum <b>SW</b> =Single Wall Wash (Sealed/Medical open only) <sup>(10),(12)</sup> <b>N</b> =Narrow, Spun Aluminum <b>PS</b> =Non-conductive, Shallow <sup>(16),(17)</sup>	<b>1</b> =Self-flanged <sup>(18)</sup> <b>2</b> =White painted self flanged, (not available with MW reflector finish)	<b>LI</b> =Specular Clear <sup>(20)</sup> <b>H</b> =Semi-Specular Clear <sup>(20)</sup> <b>WMH</b> =Warm Haze <sup>(23)</sup> <b>MW</b> =Matte White	<b>E</b> =Integral Emergency Test Switch Hole <sup>(14)</sup> <b>FP</b> =NSF listed, non-food/splash zone <sup>(23)</sup>  <b>Bottom Lens (enclosed only)</b> <sup>(21),(22)</sup> <b>BL84</b> =Bottom lens, 0.125" clear polycarbonate <b>BL85</b> =Bottom lens, 0.187" clear polycarbonate <b>BL86</b> =Bottom lens, 0.250" clear polycarbonate <b>BL89AM</b> =Bottom lens, 0.125" smooth opal polycarbonate <b>BL89BV</b> =Bottom lens, 0.125" smooth clear acrylic <b>BL89BW</b> =Bottom lens, 0.125" smooth opal acrylic For IP65, refer to Compatibility Chart on page 7
<b>Notes</b> Vandal resistant open and enclosed, same trim catalog logic. The words vandal, vandal resistant, and high abuse are used interchangeably.	<b>Notes</b> (10) Not available with Chicago Plenum. Not available for 6500-7000 lumens (11) Product is marked spacing and must be installed with the following minimum spacing. Center to center of adjacent luminaires: 36". Center of luminaire to side of building member: 18" Minimum overhead: 1/2". (12) Not available on Vandal Resistant Open. (16) PS available in self-flanged MW finish only (17) Offered up to 2000 lumens	<b>Notes</b> (18) Flange is the same as the reflector.	<b>Notes</b> (20) Anodized or spun reflectors	<b>Notes</b> (14) Only available with medium bottom lens. Required with all IEMBOD, IEM7, IEM14 housings. (21) For open style, do not specify Bottom Lens. For enclosed units, specify Bottom Lens. (22) Additional lens options for the BL (bottom lens) available, see Downlight Lens Guide on page 7. (23) NSF listing is only available with the Sealed/Medical Trim options, F4LC and F4LCXS using Phillips head screws.



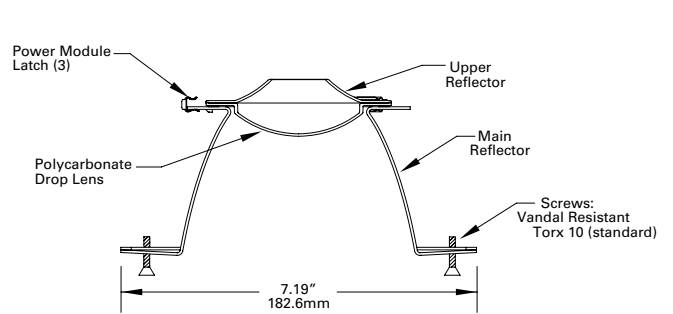


## Dimensional and Mounting Details

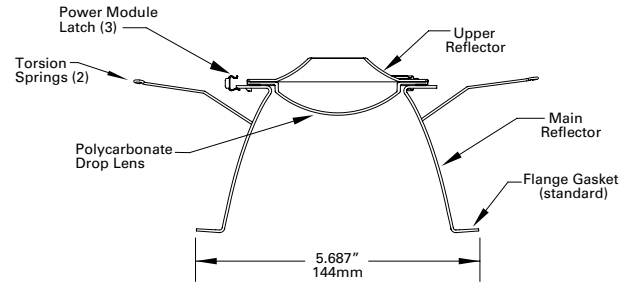
### VANDAL RESISTANT/ HIGH ABUSE & SEALED/MEDICAL BOTTOM LENS ENCLOSED



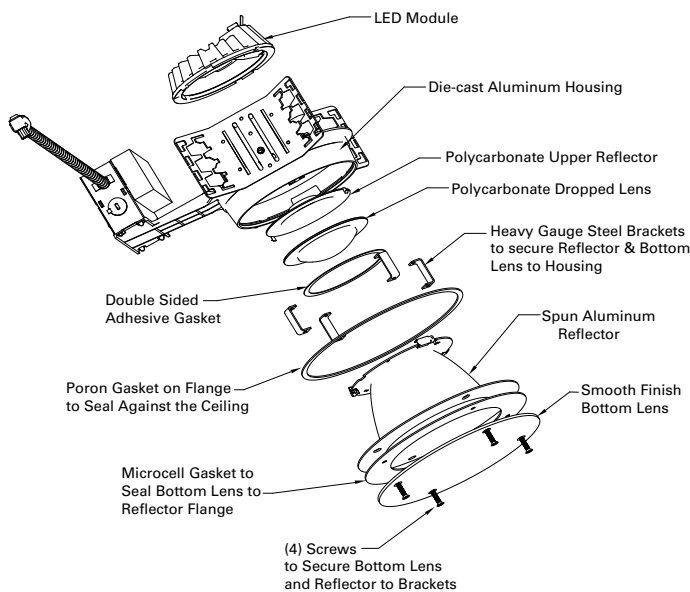
### VANDAL RESISTANT/ HIGH ABUSE OPEN



### SEALED/MEDICAL OPEN



### ENCLOSED BOTTOM LENS



**NOTE:**  
Sealed Medical Regress Lens has gasket on flange to seal against ceiling and is attached to housing with torsion springs.

Below are SKUs that typically ship within 15 days.

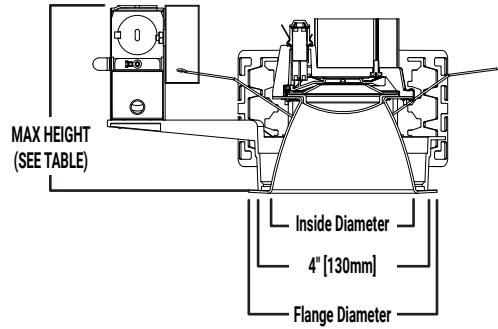
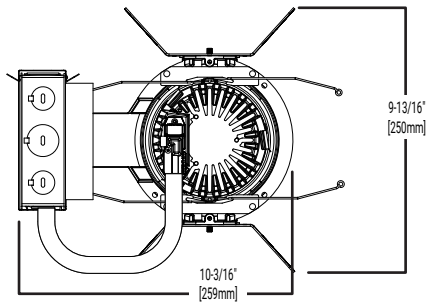
#### 4" Round

Housing	Module
FLD4C-10-D010	FEU4C-1020-90-30
FLD4CX-10-D010	FEU4C-1020-90-35
	FEU4C-1020-90-40
FLD4C-15-D010	
FLD4CX-15-D010	FEU4C-2540-90-30
	FEU4C-2540-90-35
FLD4C-30-D010	FEU4C-2540-90-40
FLD4CX-30-D010	

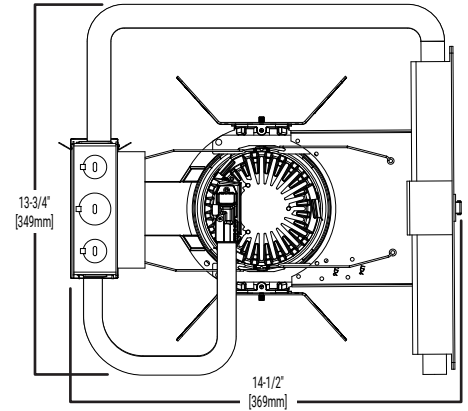


## Dimensional and Mounting Details

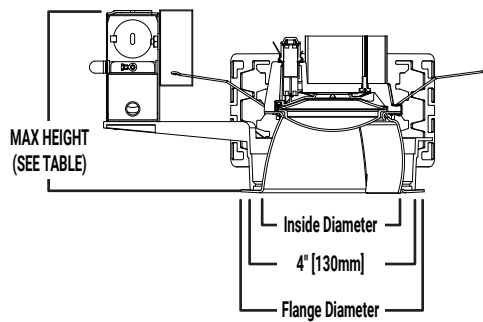
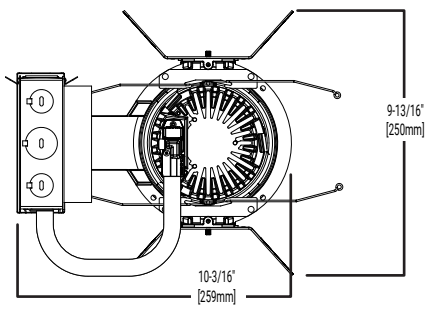
### DOWNLIGHT



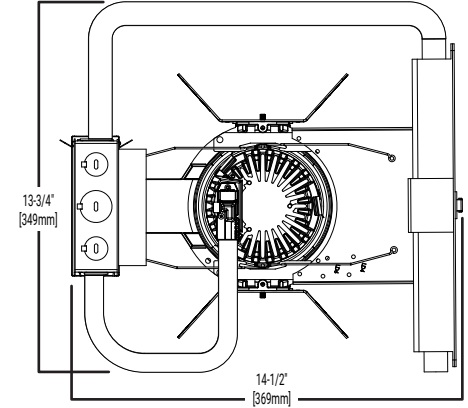
### EM OPTION



### WALL WASH



### EM OPTION



CATALOG #	Flange DIAMETER or WIDTH [IN]	INSIDE DIAMETER or WIDTH [IN]	MAX HEIGHT				
			250-2000 LUMENS (90/97CRI)	2500-4000 LUMENS (90/97CRI)	4500-6000 LUMENS (90/97CRI)	1000-1500IC LUMENS (90/97CRI)	2 LEDs 4500-6000 LUMENS (90/97CRI)
4LBN	5.67	4.24	5.6	5.6	5.6	6.1	8.1
4LBM	5.67	4.26	5.6	5.6	5.6	6.1	8.1
4LBW	5.67	4.27	5.6	5.6	5.6	5.7	7.7
4LBPS	5.67	4.23	5.6	5.6	5.6	5.6	6.5
4LBSWN	5.67	4.27	5.6	5.6	5.6	5.7	7.7

## Energy and Performance Data



### D010 DRIVER ENERGY DATA

Series	250 lumen		500 lumen		800 lumen		1000 lumen		1500 lumen		2000 lumen	
Input Voltage 120-277VAC	120V	277V	120V	277V	120V	277V	120V	277V	120V	277V	120V	277V
Input Current (A)	0.029	0.017	0.061	0.032	0.085	0.041	0.084	0.042	0.135	0.063	0.189	0.084
Input Power (W)	3.45	3.87	7.33	7.78	10.15	10.52	10.04	10.43	16.17	16.56	22.58	22.63
In-rush (A)	2.1	8.5	3.7	8.5	3.6	8.3	3.6	8.4	2.3	9.5	2.1	9.7
Inrush duration (µs)	250	131	190	136	220	135	226	136	230	125	243	132
THDi (%)	7.21	16.92	7.82	10.78	5.57	9.63	7.78	9.24	4.75	9.93	8.03	7.44
PF	≥ 0.98	≥ 0.9	≥ 0.99	≥ 0.93	≥ 0.99	≥ 0.95	≥ 0.99	≥ 0.95	≥ 0.99	≥ 0.94	≥ 0.99	≥ 0.96

Series	2500 lumen		3000 lumen		3500 lumen		4000 lumen		4500 lumen		5000 lumen	
Input Voltage 120-277VAC	120V	277V	120V	277V	120V	277V	120V	277V	120V	277V	120V	277V
Input Current (A)	0.276	0.121	0.276	0.041	0.333	0.152	0.404	0.181	0.421	0.192	0.491	0.216
Input Power (W)	32.98	32.57	32	10.52	39.83	39.84	48.38	47.94	50.22	50.17	58.69	58.01
In-rush (A)	2.5	11.8	3.6	8.3	3.1	14.3	3.1	14.5	5.6	22.6	5.6	22.6
Inrush duration (µs)	215	111	220	135	200	94	197	95	215	120	213	135
THDi (%)	9.86	6.57	5.57	9.63	4.25	10.05	5.02	7.97	6.12	8.35	8.51	7.92
PF	≥ 0.99	≥ 0.97	≥ 0.99	≥ 0.95	≥ 0.99	≥ 0.94	≥ 0.99	≥ 0.95	≥ 0.99	≥ 0.95	≥ 0.99	≥ 0.96

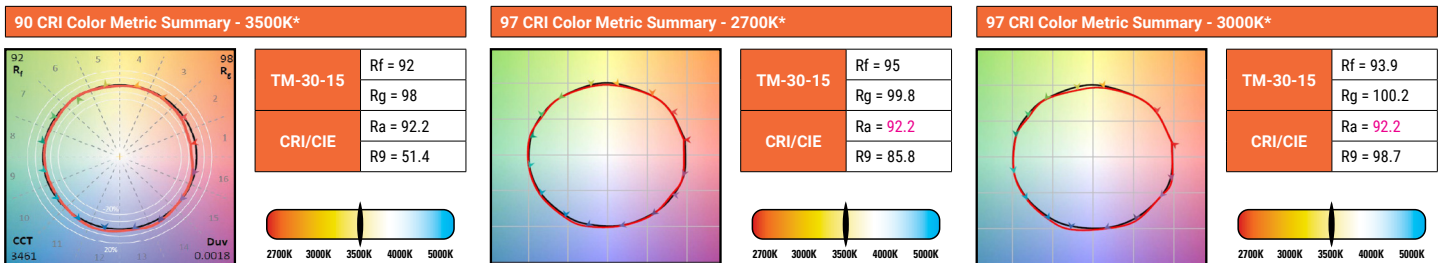
Series	5500 lumen		6000 lumen	
Input Voltage 120-277VAC	120V	277V	120V	277V
Input Current (A)	0.526	0.231	0.542	0.256
Input Power (W)	62.97	61.97	64.88	65.7
In-rush (A)	5.1	23.1	6.2	27.5
Inrush duration (µs)	217	138	188	101
THDi (%)	9.42	7.16	4.33	11.86
PF	≥ 0.99	≥ 0.96	≥ 0.99	≥ 0.93

Minimum starting temperature -30°C (-22°F)\*  
(Nominal input 120-277VAC & 100% of rated output power)

Sound Rating: Class A standards

**Notes:**  
Emergency Battery packs are rated for a minimum starting temperature of 0°C.

### COLOR METRICS - TM-30-15 & CRI/CIE



\* Color values are based on haze reflector, other finishes and field results may vary.

## Marked Spacing

4-inch Marked spacing for 90 and 97 CRI			
4000	36	36	0.5
4000-6000 (Lutron)	36	36	8

[View IES files](#)





## Product Specifications

### Lower Shielding Reflector

- Self-flanged, spun .050" thick aluminum lower reflector in combination with a lensed upper optical chamber provides superior lumen output with minimal source brightness.

### Trim Retention

- For sealed/medical and vandal resistant/high abuse bottom lens, the lower reflector is retained with (4) counter sunk, philips head screws, holding the flange tightly to the housing.
- Open sealed/medical reflector uses torsion springs.
- Vandal Resistant versions utilize the Torx T10 #6 screw with center pin reject.

### LED

- High brightness LED's combined with a high reflectance upper reflector and convex lens for even distribution with no pixilation.
- Rated for 50,000 hours at 70% lumen maintenance.
- Auto resetting, thermally protected, LED's turn off when safe operating temperatures exceeded.
- Color variation within 3-step MacAdam ellipses.
- Disconnect allows for toolless replacement of LED engine from below ceiling.
- Available 90, 97 CRI.

### Driver

- Combination 120-277V 0-10V or 120V trailing edge phase cut driver provides flicker free dimming from 100% to 10%.
- Optional for 1000- 4000 lumens, 1% 0-10V, Fifth Light, or Lutron® Ecosystem.
- Driver can be serviced from above or through the aperture.

### Lenses

- All versions include a nonremovable upper lens, 0.060" thick frosted polycarbonate.
- Bottom lens is smooth acrylic or polycarbonate up to 0.250" thick.
- Bottom polycarbonate lens IK10 impact resistant rated

### Code Compliance

- cULus listed for wet locations under covered ceiling standard.
- Non-IC rated insulation must be kept 3" from top and sides of housing.
- IP65 available
- NSF/ANSI 2 certified for Splash/NonFood Zone. Typical rating for lighting equipment not subjected to direct food contact. This listing is only applicable with Sealed/Medical Open or Sealed/Medical Enclosed using Phillips head screws.
- FCC CFR Title 47 Part 15 Class B at 120VAC and Class A at 277VAC

### Warranty

- 5 year limited warranty

## Downlight Lens Guide

Downlight Lens Guide				
Lens	Description	BTR Bottom Trim (BTR) (Total Maximum Lens Thickness is .375")	BL Bottom Lens (BL) (Single Smooth Acrylic or Polycarbonate Lens Only)	Open
80	Acrylic, Prismatic Pattern 12, 0.125"		N/A	N/A
89AG	Acrylic, Prismatic Pattern 19, 0.156"		N/A	N/A
89BV	Acrylic, Smooth, Clear 0.125"			N/A
89BW	Acrylic, Smooth, Opal 0.125"			N/A
94	Glass, Tempered, Smooth, Clear, 0.187"		N/A	N/A
89AH	Polycarbonate, Prismatic Pattern 12, 0.125"		N/A	N/A
82	Polycarbonate, Prismatic Pattern 12, 0.187"		N/A	N/A
84	Polycarbonate, Smooth, Clear 0.125"		IK10	N/A
85	Polycarbonate, Smooth, Clear 0.187"		IK10	N/A
86	Polycarbonate, Smooth, Clear 0.250"		IK10	N/A
87	Polycarbonate, Smooth, Clear 0.375"		IK10	N/A
89AM	Polycarbonate, Smooth, Opal 0.125"		IK10	N/A

## Compatibility Chart

	Sealed/Medical		Vandal Resistant/High Abuse	
Diagram				
Description	Open	Enclosed Bottom Lens	Open	Enclosed Bottom Lens
Housing	FLD4C FLD4BCP	FLD4CX, FLD4CXCP	FLD4CX, FLD4CXCP	FLD4CX, FLD4CXCP
NSF	Available	Available	Not Available	Not Available
IP	IP65 Available	*IP65 Available	IP65 Available	*IP65 Available

**IP65 ratings are from the room-side only on all applications.** IP requirement called out with (/65) at the end of the Trim ordering logic. Example: F4LCXVM1LI/65

\* The sealed medical with bottom lens option is the IP65 compliant open reflector - with an attached bottom lens. During the IP65 test, no dust entered into the reflector from the bottom lens, but a miniscule amount of water did enter (on top of the bottom lens). However, no water can penetrate the upper reflector, and enter into the electrical - and there remains an impenetrable seal between the ceiling and luminaire.



# Proven Research. Industry Recognized.

# BioUp

Melanopic Lighting



See better



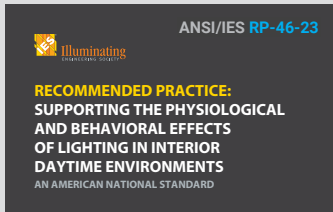
Feel better



Function better



See [BioUp brochure](#) for more details

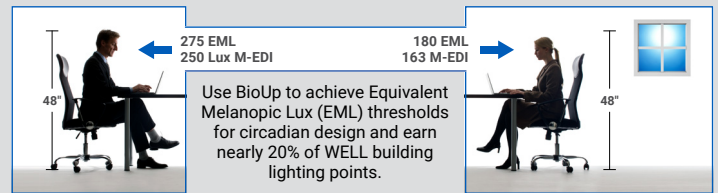


**ANSI/IES RP-46-23 / TM18 published March 2024 based on over 40 years of research.**

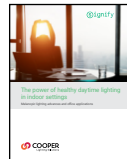
"...circadian clock synchronization is paramount to the body's efficient and appropriate functioning." – TM18



**BioUp solutions maximize WELL points for Circadian Lighting Design (L03):**



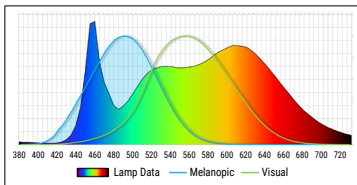
**MDER, M-EDI and EML** are key metrics used to quantify non-visual performance of indoor lighting systems.



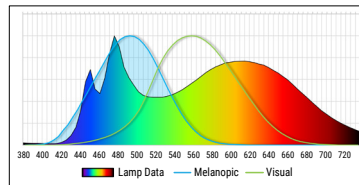
See [BioUp white paper](#) for more details

**MDER** - Melanopic Daylight Efficacy Ratio (MDER) measures the amount of light stimulating to the melanopsin receptors.

**Standard 4000K LED**  
MDER = .62



**BioUp 4000K LED**  
MDER = .82



## 30% boost Biological impact compared to traditional LED sources

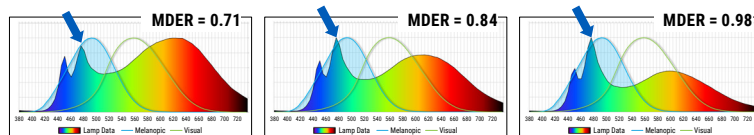
CCT	LED MDER ~83 CRI	BioUp Static		BioUp Dynamic	
		MDER	CRI	MDER	CRI
2700K	0.44	-	-	0.43	95
3000K	0.49	-	-	0.54	94
3500K	0.56	0.71	90	0.71	90
4000K	0.64	0.84	87	0.82	87
5000K	0.77	0.98	84	0.98	84

BioUp enhances the LED spectrum with cyan light at 475nm increasing the biological impact of the light to enhance our circadian rhythm which regulates our sleep/wake cycle, daytime engagement, and mood – **all without distorting visual color impression.**

### Static (non-tunable)

Static BioUp is used when simple Melanopic Lighting is desired at all times.

Arrow in graph shows BioUp spectrum boost is at 475nm where non-visual biological response is enhanced.



**3500K** or **4000K** or **5000K**

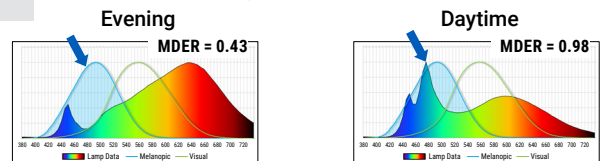
Cyan light component always present



> no CCT control needed

### Dynamic - (Tunable)

Dynamic BioUp is used when Melanopic Lighting is desired to adjust during the day.



Warmer CCT Without Cyan content ← → Cooler Light With Cyan content

**2700K – 5000K**



> Control with Wavelinx, 2ch 0-10V, or DALI