

Project		Catalog #		Type	
Prepared by		Notes		Date	



Ephesus

LUMASPORT 16 PRISM

RGB LED Sports
& Entertainment Luminaire

Typical Applications

Pro Arenas • University & Collegiate Arenas • University & Collegiate Stadiums • Multi-Event & Convention Centers • Gymnasiums & Field Houses

Interactive Menu

- Dimensional Details [page 1](#)
- Ordering Information [page 2](#)
- Dimensional and Mounting Details [page 3](#)
- Performance Data [page 4](#)
- Optical Performance Data [page 4](#)
- Ordering Information for Accessories [page 5](#)
- Accessory Dimensions and Part Details [page 6](#)
- Example System Topology [page 7](#)

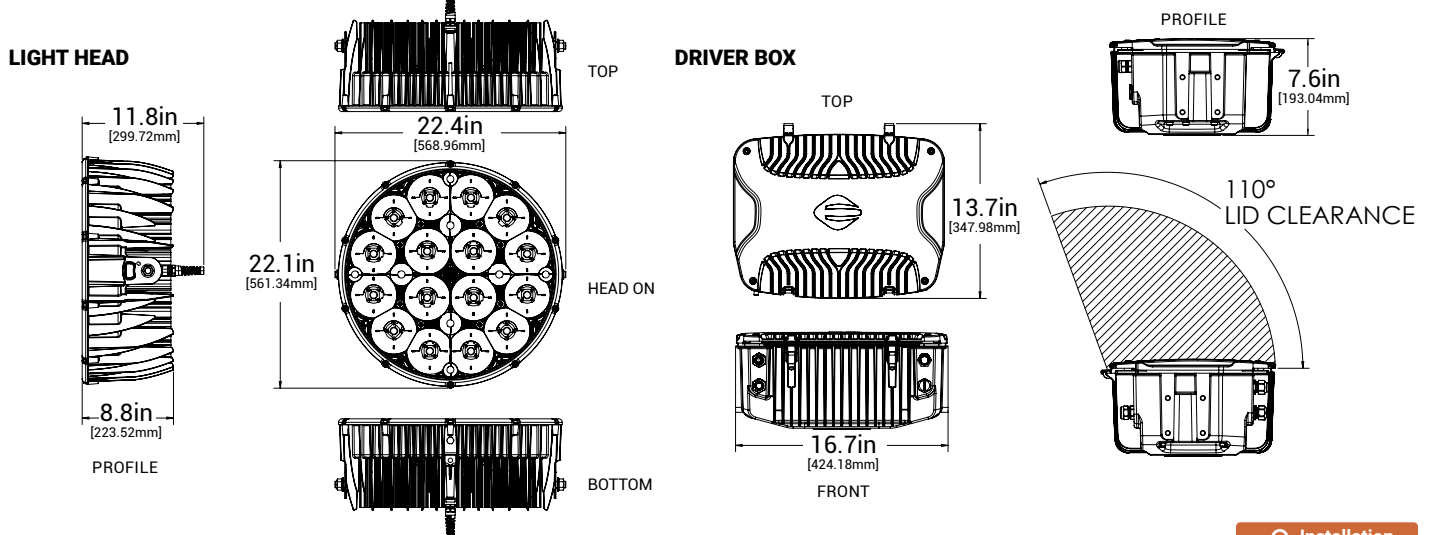
Product Certifications



Top Product Features

- Custom source selection offers broadest range of color mixing
- Fully saturated color provides an unmatched visual fan experience
- Array of optic beams from narrow to wide creates an immersive atmosphere
- Glare and cutoff control via Hybrid Reflector and TIR Optical System
- Reduce install time with pre-aimable two-piece assembly
- Industry leading light source reliability with Chip-on-Board LEDs
- Controllable with both wired DMX and wireless AirMesh to suit your needs.

Dimensional Details



[Installation Instructions](#)

Order Information

NOTE: A complete fixture order requires a selection entry for **Luminaire Color, Source Color, CRI, Optic, Light Head Cable (DC), Voltage, Control, Mount Configuration, Power Cable (AC), Options, International Option**

SAMPLE ORDER NUMBER: EPH-LS-16PR-720PL-BLK-RGB-CL-2S-PRO4-LV-LB-LY-A04-HEG-ST

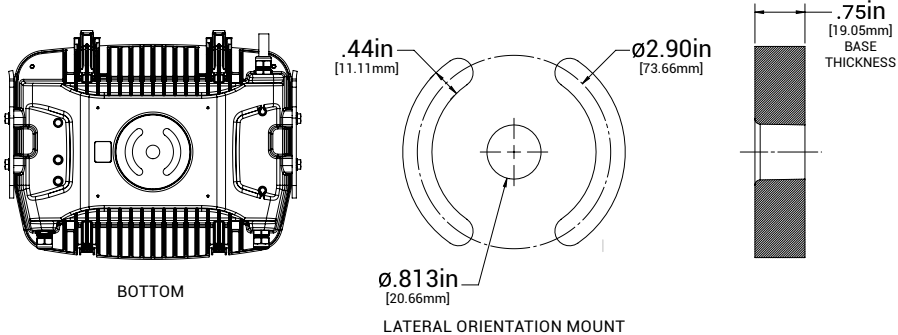
Brand	Family	Model	Power Configuration	Luminaire Color	Source Color	CRI	Optic
Brand	Family	Model	Power Configuration	Luminaire Color ³	Source Color	CRI	Optic ⁴
EPH = Ephesus, Standard TAA=Trade Agreements Act ¹	LS = Lumasport	16 = 16 Optics	720PL = Prism Model (LS16), Local Power ² 720PS = Prism Model (LS16), Satellite	BLK = Black WHT = White	RGB = Red/Green/Blue	CL = Color RGB	1R = NEMA 2 15 19 2R = NEMA 3 18 34 2S = NEMA 3 24 43 4S = NEMA 4 33 61 5S = NEMA 5 45 78
Notes: (1) Only product configurations with this designated prefix are built to be compliant with the Trade Agreements Act of 1979 (TAA). Please refer to DOMESTIC PREFERENCES website for more information. Components shipped separately may be separately analyzed under domestic preference requirements.			Notes: (2) Local Power means that the light head is attached to the driver box with the yoke.	Notes: (3) Not coastal rated. Contact Ephesus for coastal fixture options.			Notes: (4) Optic = NEMA TYPE; BEAM ANGLE; FIELD ANGLE. Additional optical performance data within spec sheet.

Light Head Cable (DC)	Voltage	Control	Mount Configuration	Power Cable (AC)	Options	International Option
Light Head Cable (DC) ⁶	Voltage	Control	Mount Configuration	Power Cable (AC) ⁸	Options ¹⁰	International Option
PRO4 = Standard Connectorized PR12 ⁷ = 12ft Cable, Connectorized	LV = Low Voltage HV = High Voltage	AM = Wireless AirMesh LB = Wired DMX	LY = Local Yoke	A00 = No Cable, Standard A04 = 4ft Cable A10 = 10ft Cable A15 = 15ft Cable BH3 = 3-foot long 3-pin connectorized AC cable ⁹	HEG = No Visor High Efficiency Glass Lens	ST = Standard
Notes: (6) DC Cable connecting the light head to the driver box. (7) PR12 = 12ft Cable is intended to be used with the Ephesus Catwalk Bracket				Notes: (8) AC Cable connecting the Driver Box to the electrical power source. (9) BH3 only for Ephesus prewired crossarms	Notes: (10) Accessories sold separately will be separately analyzed under domestic preference requirements. Consult factory for further information.	

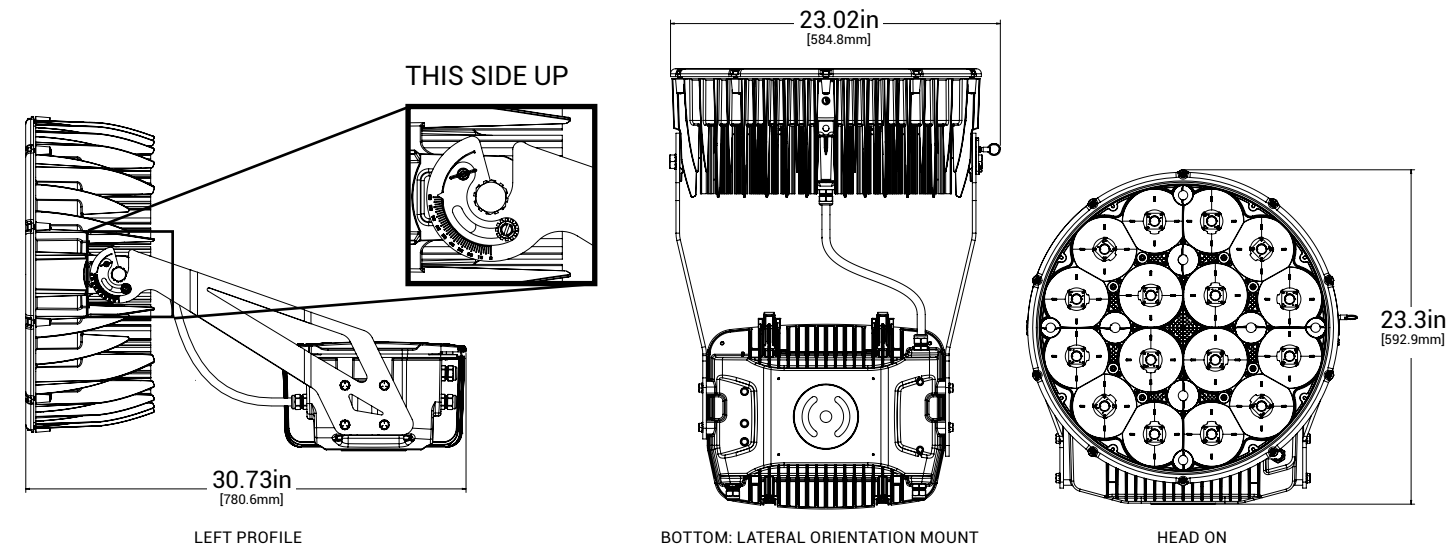
DesignLights Consortium® Qualified. Refer to www.designlights.org Qualified Products List under Family Models for details

Dimensional and Mounting Details

MOUNTING: DRIVER BOX



MOUNTING CONFIGURATION: LOCAL YOKE



Performance Data¹

	LUMASPORT 16 PRISM (720W ²)
Nominal Power ³	784W
Input Voltage (Low Voltage)	120 - 277VAC
Input Voltage (High Voltage)	347 - 480VAC
Distribution (NEMA)	1R, 2R, 2S, 4S, 5S
Operating Temperature Range	-40°C to +40°C
Usage	INDOOR, OUTDOOR ⁴
Mounting Options	LOCAL YOKE, SATELLITE (REMOTE YOKE)
Electrical Certifications	FCC, UL8750, UL1598
Environmental Certifications	IP66, NEMA4X ⁵
Vibration	ANSI C136.31-2010 1.5G ⁶
Surge	10kV
Effective Projected Area (EPA)	2.9 (sq. ft.)
Approximate Weight ⁸	94.5 LBS

NOTES:

- (1) Specifications are subject to change without notice.
- (2) Refer to Optical Performance Data.
- (3) Values are +/- 4% when fixture is operated at 25°C ambient
- (4) When driver box is mounted in upright position.
- (5) Light head meets NEMA4X Certification
- (6) LumaSport 16 Prism with Visors (VHE) qualifies for ANSI C136, 31-2010 1.5G
- (7) EPA may vary depending on the aiming angle of the fixture.
- (8) Weight may vary depending on mounting bracket, VHE Visor option, light head and driver box selection.

Electrical Performance Data

Product	Light Color	Drive Current (each string)	DC Voltage (each string)	Power
EPH-LS-16-720	Red	1.25A	144V	360W
	Green	1.3A	136V	177W
	Blue	1.3A	140V	182W

NOTES:

- (1) Values are +/- 4% when fixture is operated at 25°C ambient

Optical Performance Data

LUMASPORT 16 PRISM (720W) Lumen Outputs ¹	
LED TYPE	LUMENS
EPHESUS RED	14427
RED/ORANGE	15214
ORANGE	16395
YELLOW	27549
LIME GREEN	14564
EPHESUS GREEN	13122
CYAN	13786
BLUE	9329
EPHESUS BLUE	2768
PURPLE	12867

NOTES:

- (1) Values are +/- 10% when fixture is operated at 25°C ambient

Ordering Information for Accessories

NOTE: A complete accessory order requires a selection entry for **Brand, Accessory, Option**.

SAMPLE ORDER NUMBER: **EPH-HRDM34-025**

Brand	Accessory	Option	
Brand	Accessory	Option	Intended Use
	DVGBRD = Diving Board ¹		Designed to be used with the LUMASPORT 8, LUMASPORT 8 PRISM, LUMASPORT 16, LUMASPORT 16 PRISM & LUMADAPT 8 luminaires only.
	HRDM34 = Mounting Hardware 3/4in diameter	025 = .25in ² 075 = .75in ² 200 = 2in ²	HRDM34-025: .25-.50in clamping thickness, use for diving board (DVGBRD) or other flat surfaces drilled for 3/4 hardware HRDM34-075: .50-.75in clamping thickness, flat surfaces drilled for 3/4 hardware HRDM34-200: 2.00in clamping thickness, use for 2inx4in Cross arms that are drilled for 3/4 hardware
	Notes: (1) Additional mounting fastener hardware kits needed to attach a fixture to the DVGBRD = Diving Board	Notes: (2) Option only available for use with HRDM34	

HRDM34 Dimension and Part Details:

HRDM34-075:

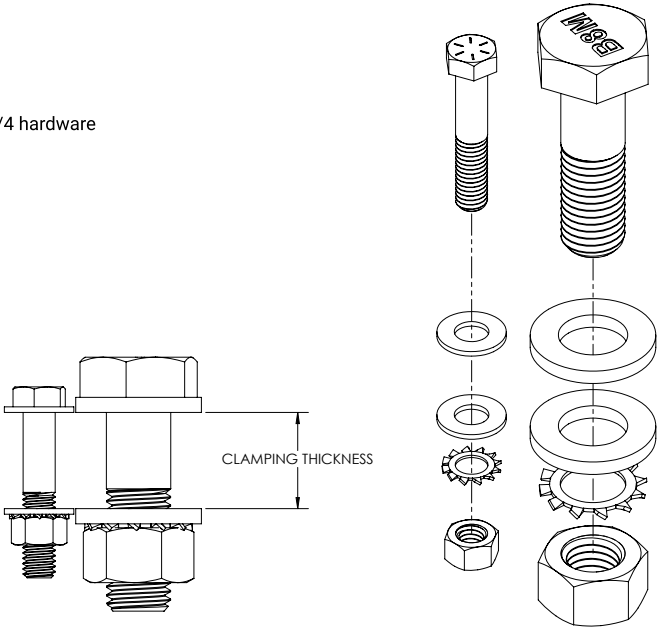
.50-.75in clamping thickness, flat surfaces drilled for 3/4 hardware

HRDM34-200:

2.00in clamping thickness, use for 2inx4in Cross arms that are drilled for 3/4 hardware

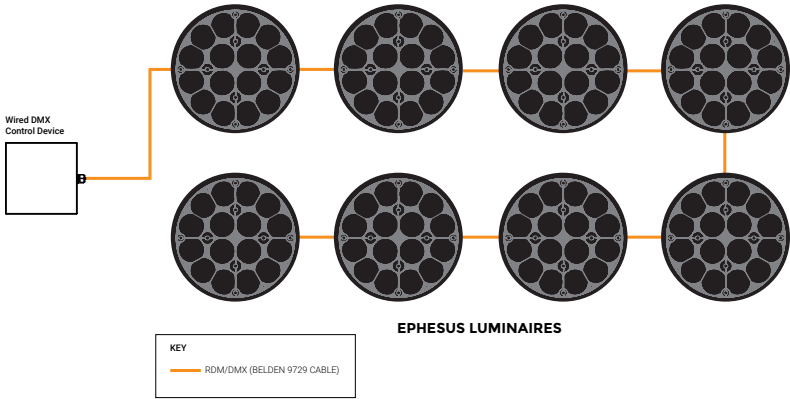
HRDM34 Data

MODEL #	WEIGHT (LBS)
HRDM34-075	1.5
HRDM34-200	2



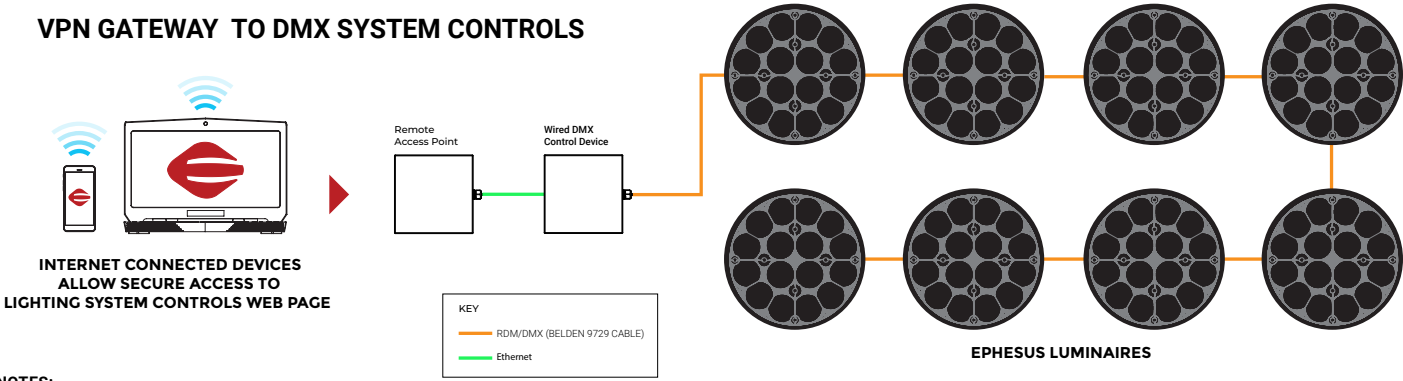
Example System Topology (Wired DMX Controls)

Example system topology showing the LUMASPORT 16 PRISM System in a commonly used wired DMX Control Installation. Refer to the specifications and limitations of your wired DMX control device before installing this configuration.



Example System Topology (Remote Access Point With Wired DMX Controls)

Example system topology showing the LUMASPORT 16 PRISM System in a commonly used remote access point with wired DMX Control Installation. Note: Laptop and mobile device not included. A cellular network connection requires a cellular carrier network plan.

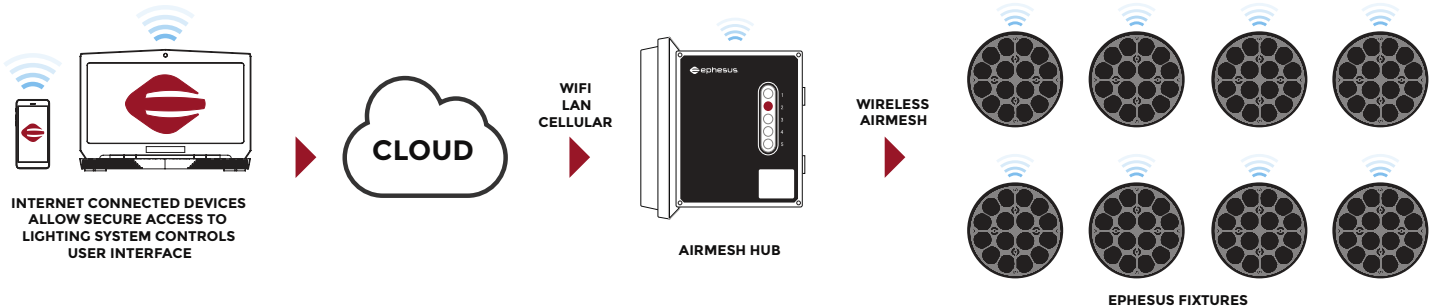


NOTES: Remote Access Point requires either a wired internet connection at the lighting system site or through a cellular carrier network connection plan.

Example System Topology (Wireless AirMesh Controls)

Example system topology showing the LUMASPORT 16 PRISM System in a Wireless AirMesh Control Installation. Note: Laptop and mobile device not included. A cellular network connection requires a cellular carrier network plan.

REMOTE ACCESS



ON SITE ACCESS

