

HALO OUTDOOR™

DESCRIPTION

The SLMT1000 series outdoor security light provides the comfort of a security light, without the hassle of wiring a conventional fixture. Delivering 1000 lumens when fully charged, this product is perfect for wall or eave mount. Install the solar panel virtually anywhere with the 16' cord (included). The integrated 180 degree motion sensor automatically turns the light on when motion is detected. Available in bronze and white finishes.

Catalog #		Type
Project		
Comments		Date
Prepared by		

SPECIFICATION FEATURES

Construction

- Durable polycarbonate housing suitable for wet locations
- 6" x 8" amorphous solar panel with 16' cord
- One-handed adjustments to fixture head and motion sensor possible
- UV stable polycarbonate lens
- Suitable for wall or eave Mounting

Electrical

- 180* Motion sensor with detection range up to 50'
- 70 minute runtime on a full charge

Warranty

- One year limited warranty, consult website for details. www.cooperlighting.com

Compliance

- Contains no mercury or lead and RoHS compliant.
- Photometric testing in accordance with IES LM-79-08
- Lumen maintenance projections in accordance with IES LM-80-08 and TM-21-11.

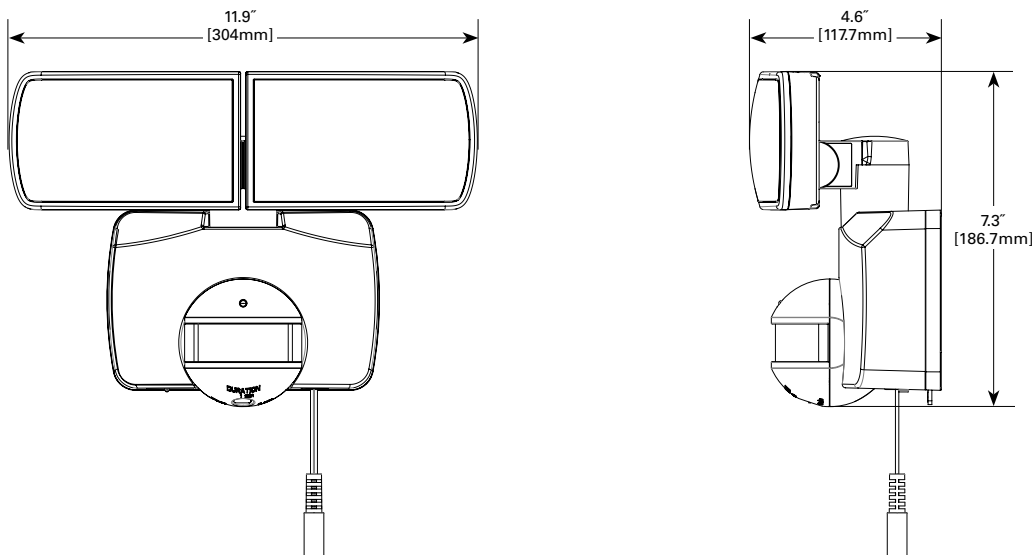
Optics

- Produces 1000 lumens when fully charged
- Frosted lens for even light distribution
- 5000K CCT perfect for security applications



SLMT1000 SOLAR FLOOD LIGHT 1000 LUMEN SERIES

DIMENSIONS



ORDERING INFORMATION

Sample Number: SLMT1000B

Module	Series	Lumens	Colors
SL = Solar	MT = Motion Twin Flood	1000 = 1000	B = Black W = White

Series	Voltage	Lumens	Euivalency	Run Time	CCT	CRI	Controls
SLMT1000B	Solar	1000	70 W	70 mins	5000K	70	180* Motion Sensor
SLMT1000W	Solar	1000	70 W	70 mins	5000K	70	180* Motion Sensor