

Project		Catalog #		Type	
Prepared by		Notes		Date	



## Greengate

### IRTR

#### Infrared Transmitter & Receiver

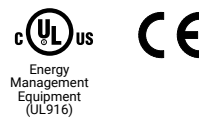
##### Typical Applications

Office • Education • Healthcare • Hospitality • Retail • Industrial • Manufacturing • Outdoor

#### Interactive Menu

- Order Information page 2
- Wiring Diagrams page 3
- Connected Systems page 3
- Product Warranty

#### Product Certification



#### Top Product Features

- Partitioning Tool
- Lighting functions can be programmed to change automatically
- LED indicator makes sensor alignment easier and provides status

 additional product diagrams

## Order Information

### Catalog Number

Catalog Number	Description
IRTR	Infrared Transmitter & Receiver

## Required Accessories

Accessories required for partitioning.

### Catalog Number

Catalog Number	Description
UIG-2-NA	Universal Interface
EXPS-15V	External Power Supply

## Product Specifications

### General

#### Partitioning Tool

- Lighting functions can be programmed to change automatically to accommodate the smaller or larger space based on partitions being opened or closed
- LED indicator on the receiver makes sensor alignment easier and provides status

### Mechanical

#### Environment:

- Operating temperature:** 32°F to + 104°F (0°C to 40°C)
- Humidity:** 0% - 90% non-condensing
- Mounting:** Surface mount face down in single gang U.S. wall boxes 3.5" (89 mm) deep
- For indoor use only

### Electrical

#### Operating Voltage:

- Low voltage PELV (Class 2: USA)
- 12 - 24V from the EXPS-15V power supply
- Up to 4 pairs of IRTR transmitters and receivers can be used with a single UIG-2-NA and EXPS-15V power supply
- Maximum wiring distance should not exceed 32 feet (10m) between the IRTR and UIG-2-NA

#### Standards/Ratings

- cULus Listed - Energy Management Equipment (UL916)
- CE

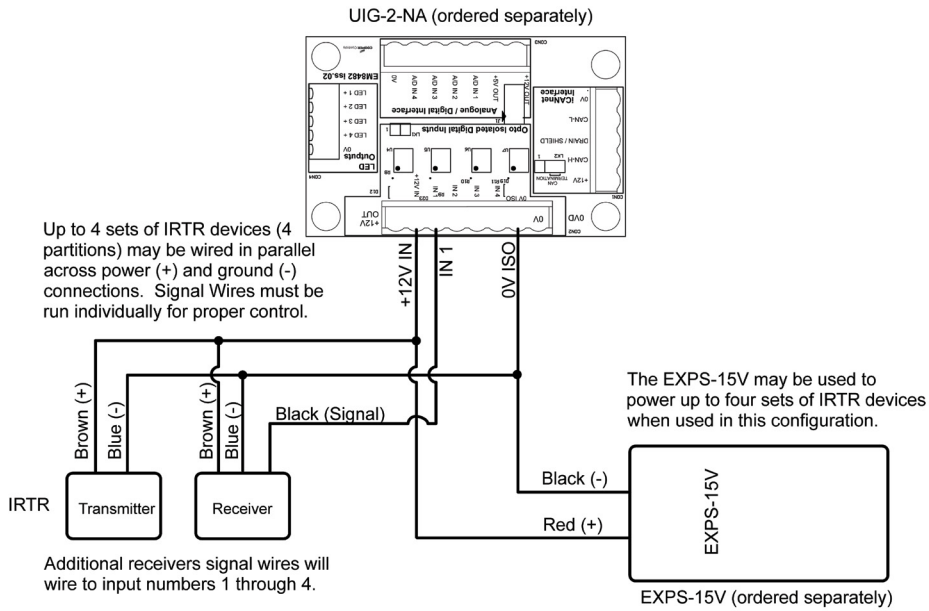
#### Warranty

Five year warranty standard

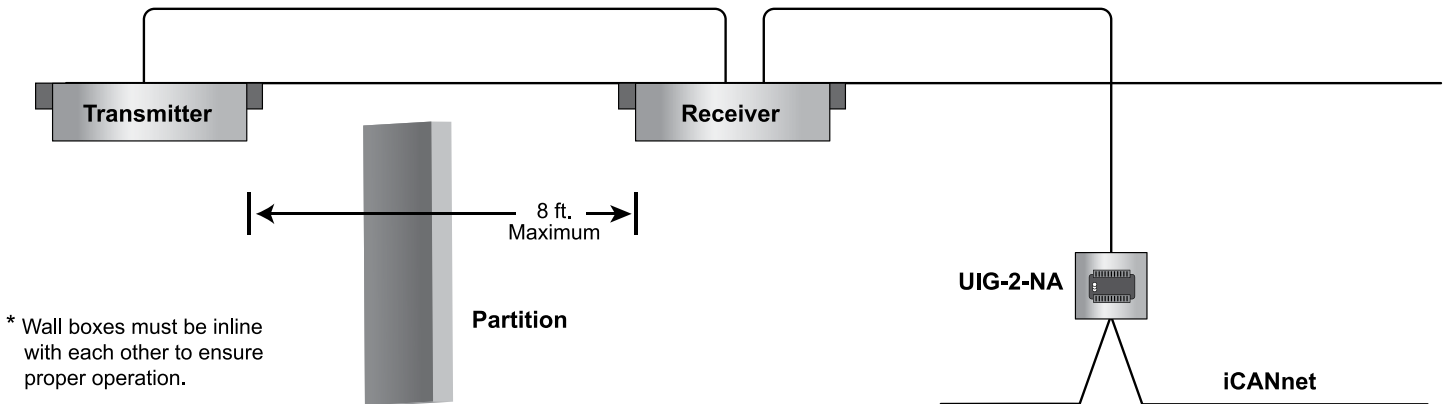
## Overview


The Infrared Transmitter and Receiver is a universal system accessory to the iLumin Architectural Lighting Control System and other lighting control systems. It is used to sense the presence or absence of partitions such that lighting functions change to accommodate the appropriate size space. Requires connection to a UIG-2-NA and a EXPS-15V power supply.

## Wiring Diagram



## Sample System Topology



 **Control Systems**  
• Greengate