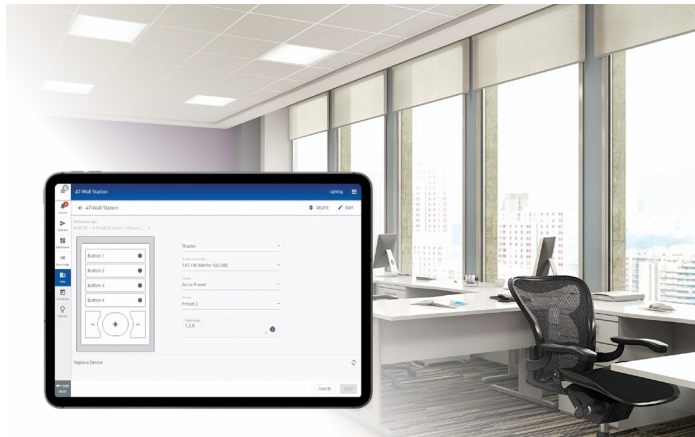


Project		Catalog #		Type	
Prepared by		Notes		Date	



## Trellix

### Mechoshades Interface

User interface used to configure and send commands from any any WaveLinx Pro Wallstation to Mechoshade Control System

#### Typical Applications

Office • Education • Healthcare • Industrial

#### Interactive Menu

- Order Information page 2
- Connected Systems page 3
- Product Warranty

#### Product Features



Trellix Exchange



Connected Systems  
WaveLinx Pro



Shade Control

#### Top Product Features

- **Consistent look and feel** – Utilize the WaveLinx Pro Wallstation / keypad to control the shades controlled by Mechoshades' MechoNet based controllers (IQ/shades).
- **Comprehensive set of commands** – Allow users to use the WaveLinx Pro Wallstation to raise, lower, stop shades as well as automatically set the shades to a preset level.
- **Intuitive user interface** – Use Trellix's intuitive Shades configuration user interface to connect to Mechoshades' controllers MechoNet Network Interface (MNI) and map addressing of shades.

## Order Information

The Trellix Shade Interface software license is required when integrating the WaveLinX Pro system with MechoSystems shade controllers.

### Catalog Number

Catalog Number	Description
TRX-SHADES	Trellix Shades Interface
<b>Note</b>	
Shade configuration requires separate commissioning services. Contact Cooper Lighting Solutions for the pricing of the shade license and associated commissioning services.	

## Required Accessory

Cooper Lighting's EIM required to convert commands sent via IP to serial.

### Catalog Number

Catalog Number	Description
EIM	Ethernet Interface Module
<b>Note</b>	
One EIM is required for each MechoSystems controller. Typical installations require one EIM device per floor. See MechoSystems Shade Integration Application Note for additional details.	

## Product Specifications

The Mechoshade Interface allows specifiers to use the WaveLinX Pro Wallstations to control both lights and shades and achieve a consistent look and feel within the space using the Trellix Shades Interface.

### Network Requirements

- The IP network shall allow HTTP data exchange between the Trellix Core and the EIM.
- EIM converts the IP command sent by Trellix into serial commands sent to the Mechoshades controller with MNI interface (example: IQ/MLC2).

### Performance Specifications

- Number of the MechoNet Network Interfaces supported: Unlimited

### Supported Commands

- MechoNet: Up, Down, Stop, Go to Preset (Preset 1, Preset 2, Preset 3. Presets configurable by MechoSystems)
- Commands not supported: Tilt, Position

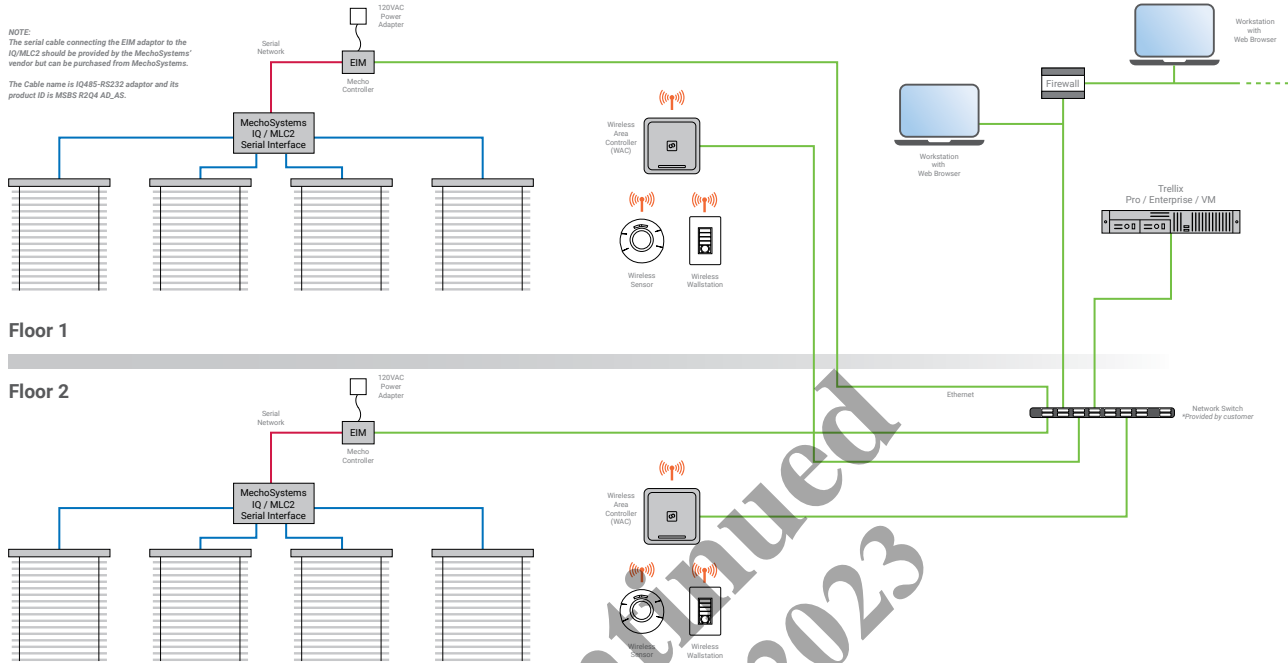
### Warranty

- Consult website for warranty information.

Sample System Topology

This diagram shows the main components of the WaveLinX Pro wireless and Wired Connected Lighting (WCL) system.

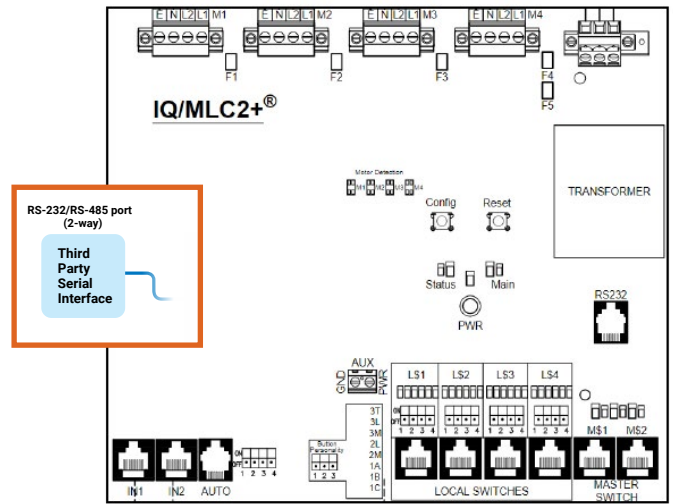
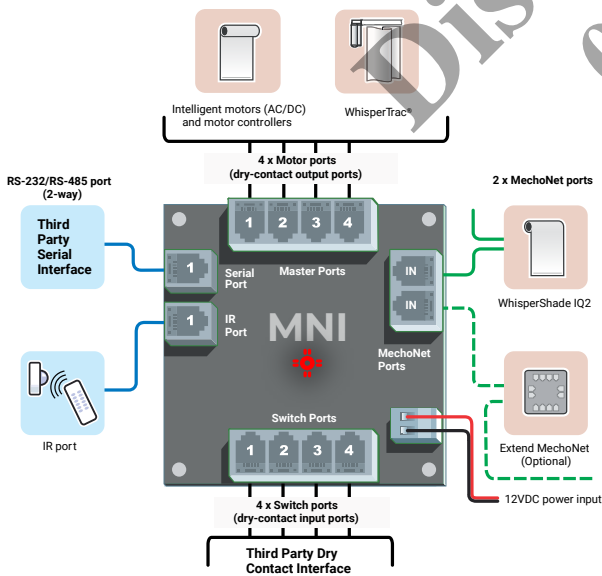
The WaveLinX wireless system communicates using wireless mesh technology based on the IEEE 802.15.4 standard. The wireless devices communicate with the WaveLinX Area Controller wirelessly. The WaveLinX Area Controllers communicate with Trellix Core over the lighting Local Area Network (LAN). Trellix Core communicates with the Mechoshades controllers using Mechoshades serial interface. An ethernet to serial converter is required for each Mechoshades controller, typically one per floor. The Cooper Lighting Ethernet Interface Module (EIM) is used as the ethernet to serial converter.



MechoNet Integration

MNI+ Interface

IQ/MLC2 Serial Interface



Control Systems

- Trellix
- WaveLinX Pro wireless