

|             |  |           |  |      |  |
|-------------|--|-----------|--|------|--|
| Project     |  | Catalog # |  | Type |  |
| Prepared by |  | Notes     |  | Date |  |



# HALO

## CLD

7" LED Surface Luminaire  
800 Lumen Series

### Typical Applications

Residential

### Interactive Menu

- Order Information page 2
- Product Specifications page 3
- Photometric Data page 4
- Product Warranty
- Dimming Guide

### Top Product Features

- Easy to install - install from below removable lens
- Fits pancake junction boxes
- Select from 3 CCTs via switch, 3000K, 4000K, or 5000K CCT
- Dimmable down to 5%
- 841 Lumens at 3000K, 94 CRI

### Product Certification

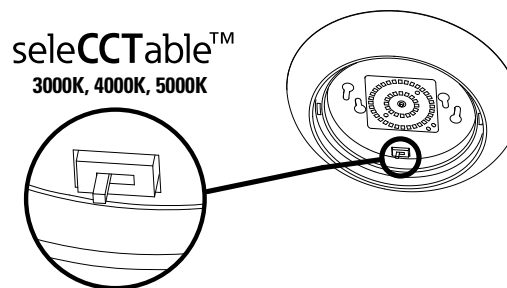
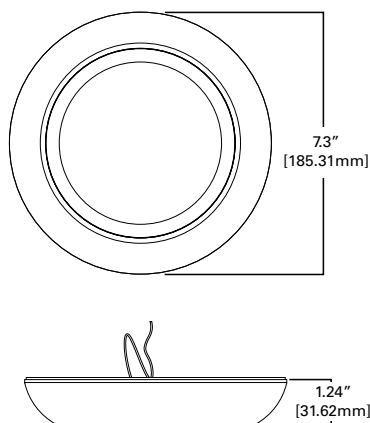


Refer to ENERGY STAR® Certified Products List.  
Can be used to comply with California Title 24 High Efficacy requirements.  
Certified to California Appliance Efficiency Database under JA8.

### Product Features



### Dimensional and Mounting Details



## Order Information

SAMPLE ORDER NUMBER: **CLD7089SWHR**

| Models                    | Lumens                  | CRI / CCT   | Finish                | Packaging   |
|---------------------------|-------------------------|---|-----------------------|---|
| CLD7=7" LED surface light | 08=800 lumens (nominal) | 9S=90 CRI minimum, white tuning, selectable CCT 3000K, 4000K, & 5000K | WH=matte white flange | R=recyclable unit carton suitable for merchandising display |
| Notes                     | Notes                   | Notes   | Notes                 | Notes   |

### COMPATIBLE WITH EATON'S CROUSE-HINDS JUNCTION BOXES



**TP316**  
for non-metallic cable  
4" x 4" x 2-1/8"  
(102mm x 102mm x 54mm)



**TP317**  
for metal clad cable  
4" x 4" x 2-1/8"  
(102mm x 102mm x 54mm)

- **TP316** - for non-metallic cable
- **TP317** - for metal clad cable
- UL Listed
- Refer to [www.crouse-hinds.com](http://www.crouse-hinds.com)

### COMPATIBLE WITH MANY OTHER JUNCTION BOXES\*



**4" octagon light fixture/fan steel box**  
4" x 4" x 2-1/8"  
(102mm x 102mm x 54mm)



**4" octagon steel box**  
4" x 4" x 1-1/2"  
(102mm x 102mm x 38mm)



**4" round new work non-metallic light fixture/fan box**  
4" diameter x 2-3/16"  
(102mm x 56mm)



**3-1/2" round new work non-metallic ceiling box**  
3-1/2" diameter x 2-3/4"  
(89mm x 70mm)



**3-1/2" round old work non-metallic box**  
4-1/4" O.D. flange, 3-1/2" I.D. x 2-5/8"  
(108mm O.D., 89mm I.D. x 67mm)



**4" round surface mount box**  
4" diameter x 1-1/2"  
(102mm x 38mm)



**4" round new work non-metallic box with hanger bar assembly**  
4" diameter x 2-3/16" (102mm x 56mm)



**Round ceiling pan**  
4" diameter x 13/16"  
(102mm x 21mm)

\*This is a representative list of compatible junction boxes only. Information contained in this literature about other manufacturers' products is from published information made available by the manufacturer and is deemed to be reliable, but has not been verified. Eaton makes no specific recommendation on product selection and there are no warranties of performance or compatibility implied. Installer must determine that site conditions are suitable to allow proper installation of the mounting bracket in the box.

## Product Specifications

### Construction

- Stamped aluminum housing and frame.

### Optics

- Precision engineered optic provides uniform luminance from a low profile convex lens
- Removable lens for easy install from below installation

### LED

- Backlit LED technology
- Color Temperature options include: SeleCCTable configuration 3000K, 4000K or 5000K via switch
- 90 CRI is standard
- L70 at 50,000 hours projected in accordance with TM-21

### Driver

- Integral 120V 60Hz constant current driver provides virtually noise free operation.
- Continuous, flicker-free dimming from 100% to 5% with select leading or trailing edge 120V phase cut dimmers. [See dimming guide.](#)
- Dimming to 5% is best assured using dimmers with low end trim adjustment.
- Consult dimmer manufacturer for compatibility and conditions of use. (Note some dimmers require a neutral in the wallbox.)

### Electrical Junction Box Mounting

- CLD may be used in compatible electrical junction boxes in direct contact with insulation including spray foam insulation
- Install from below design
- Suitable for installation in many 3-1/2" and 4" octagon and round electrical junction boxes.
- Compatible with compact (pancake) junction boxes
- Note: Fire-rating is per the rating of the ceiling and applicable junction box, not the CLD.
- Installer must ensure compatibility of fit, wiring and proper mounting in the electrical junction box. This includes all applicable national and local electrical and building coded NEMA LSD 57-2013

### Compliance

- UL certified for US and Canada
- UL Classified when used in retrofit with listed housings (See Housing Compatibility)
- Wet and Damp Location listed, airtight per ASTM-E283 (protected ceiling only)
- Suitable for use in clothes closets when installed in accordance with the NEC 410.16 spacing requirements.
- EMI/RFI emissions per FCC 47CFR Part 15B
- Contains no mercury or lead and RoHS compliant.
- Photometric testing in accordance with IES LM-79-08

- Lumen maintenance projections in accordance with IES LM-80-08 and TM-21-11.
- Can be used for State of California Title 24 high efficacy luminaire compliance, reference the California Energy Commission Title 20 Appliance Efficiency Database for current listings.
- Can be used for International Energy Conservation Code (IECC) and Washington State Energy Code high efficiency luminaire compliance
- ENERGY STAR® Certified luminaire - consult ENERGY STAR® Certified Product List
- Warranty
- Five year limited warranty, consult website for details. [www.cooperlighting.com/warranty](http://www.cooperlighting.com/warranty)

## Energy Data

|               |              |
|---------------|--------------|
| Lumens        | 800 Series   |
| Input Voltage | 120V         |
| Input Current | 0.09A        |
| Input Power   | 10.5W        |
| Efficacy      | 80.5 LpW     |
| Inrush (A)    | (A)          |
| THD           | ≤ 20%        |
| PF            | ≥ 0.90       |
| T Ambient     | -30° - +40°C |
| Sound Rating  | ≤ 20 dba     |

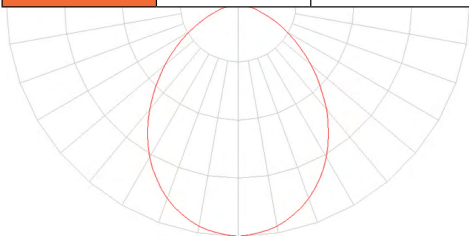
## Housing Compatibility

| MANUFACTURER              | MODELS |  | Original Lamp Type |
|---------------------------|--------|--|--------------------|
| Cooper Lighting Solutions | 5"     | H25ICAT, H5ICAT, H5RICAT, E5ICAT, E5RICAT  | E26 Base           |
| Cooper Lighting Solutions | 6"     | E7ICAT, E7RICAT, H7ICAT, H7RICAT, H27ICAT, H27RICAT, E27ICAT, E27RICAT, E27RTAT, E27TAT, E7RTAT, E7TAT | E26 Base           |

## Photometric Data

 View IES files

| CLD7089SWHR - 3000K   |          |          |
|-----------------------|----------|----------|
| Luminaire lumens      | 841      |          |
| Input watts           | 10.5     |          |
| LER (LPW)             | 80.5     |          |
| Spacing Criteria      | 0-180    | 1.26     |
|                       | 90-270   | 1.26     |
|                       | Diagonal | 1.38     |
| Beam angle (degrees)  | 113.2    |          |
| Field angle (degrees) | 161.7    |          |
| Zonal lumen           | Lumens   | % Lumens |
| 0-30                  | 218      | 27.1     |
| 0-40                  | 357      | 44.4     |
| 0-60                  | 635      | 78.8     |
| 0-90                  | 805      | 100      |



## Color Metric Summary

| 3000K    |                     | 4000K    |                     | 5000K    |                     |
|----------|---------------------|----------|---------------------|----------|---------------------|
| TM-30-15 | R <sub>f</sub> = 94 | TM-30-15 | R <sub>f</sub> = 92 | TM-30-15 | R <sub>f</sub> = 92 |
|          | R <sub>g</sub> = 98 |          | R <sub>g</sub> = 98 |          | R <sub>g</sub> = 98 |
| CRI/CIE  | R <sub>a</sub> = 95 | CRI/CIE  | R <sub>a</sub> = 96 | CRI/CIE  | R <sub>a</sub> = 95 |
|          | R <sub>9</sub> = 59 |          | R <sub>9</sub> = 75 |          | R <sub>9</sub> = 75 |



| Catalog Number | CCT   | Lumens | Power (W) | LPW  |
|----------------|-------|--------|-----------|------|
| CLD7089SWHR    | 3000K | 841    | 10.5      | 80.5 |
|                | 4000K | 905    | 10.1      | 90.0 |
|                | 5000K | 885    | 10.3      | 85.8 |

\* Tested in accordance with IES LM63. Field results may vary.

## Product Specifications

### PRODUCT SPECIFICATIONS

|                                   |              |
|-----------------------------------|--------------|
| <b>Lumens</b>                     | <b>841</b>   |
| <b>Watts</b>                      | <b>10.5</b>  |
| <b>Lumens Per Watt (Efficacy)</b> | <b>80.5</b>  |
| <b>Color Accuracy (CRI)</b>       | <b>94</b>    |
| <b>Light Color (CCT)</b>          | <b>3000K</b> |

Correlated Color Temperature (CCT)